

# Manual Supplement

Manual Title:	74X Series Calibration	Supplement Issue:	3
Part Number:	602505	Issue Date:	10/09
Print Date:	February 1997	Page Count:	6
Revision/Date:	2, 4/99		

---

---

This supplement contains information necessary to ensure the accuracy of the above manual.

## Change #1, 45265

On page 6, replace the bottom portion of the **Frequency Sourcing** table with the following:

**Waveform Choices:** Zero-symmetric sine or positive square wave, 50 % duty cycle.  
**Amplitude:** 0.1 to 10 V pk (square wave, 0 V reference)  
 0.1 to 10 V p-p (sinewave)  
**Amplitude Accuracy:** S/N 9095999 or earlier:  
**0 Hz to 1099 Hz:** 3 % of output + 0.5 % f.s.  
**1.1 kHz to 10.9 kHz:** 10 % of output + 0.5 % f.s.  
**11 kHz to 50 kHz:** 30 % of output + 0.5 % f.s.  
**Amplitude Accuracy:** S/N 9096000 or later:  
**0 Hz to 50 kHz:** 30 % of output + 0.5 % f.s.  
**Maximum Input Voltage:** 30 V dc

Under **Temperature, Thermocouples Type E**, delete the entire third row.

On page 22, replace Table 12 with the following:

**Table 12. Frequency Source Verification Points**

UUT Range	Frequency @ 1 Vpp	Minimum Freq.	Maximum Freq.	S/N 9095999 or earlier: Amplitude Tolerance ± mV peak ± mV RMS		S/N 9096000 or later: Amplitude Tolerance ± mV peak ± mV RMS	
10.999 Hz	5 Hz	4.99	5.01	80	40	350	175
109.99 Hz	50 Hz	49.9	50.1	80	40	350	175
1099.9 Hz	500 Hz	499.9	500.1	80	40	350	175
21.999 kHz	10 kHz	9.998	10.002	150	75	350	175
50 kHz	50 kHz	49.995	50.005	350	175	350	175
1099.9 Hz	Sine Wave 1000 Hz	999.9	1000.1	80	28.29	350	123.74

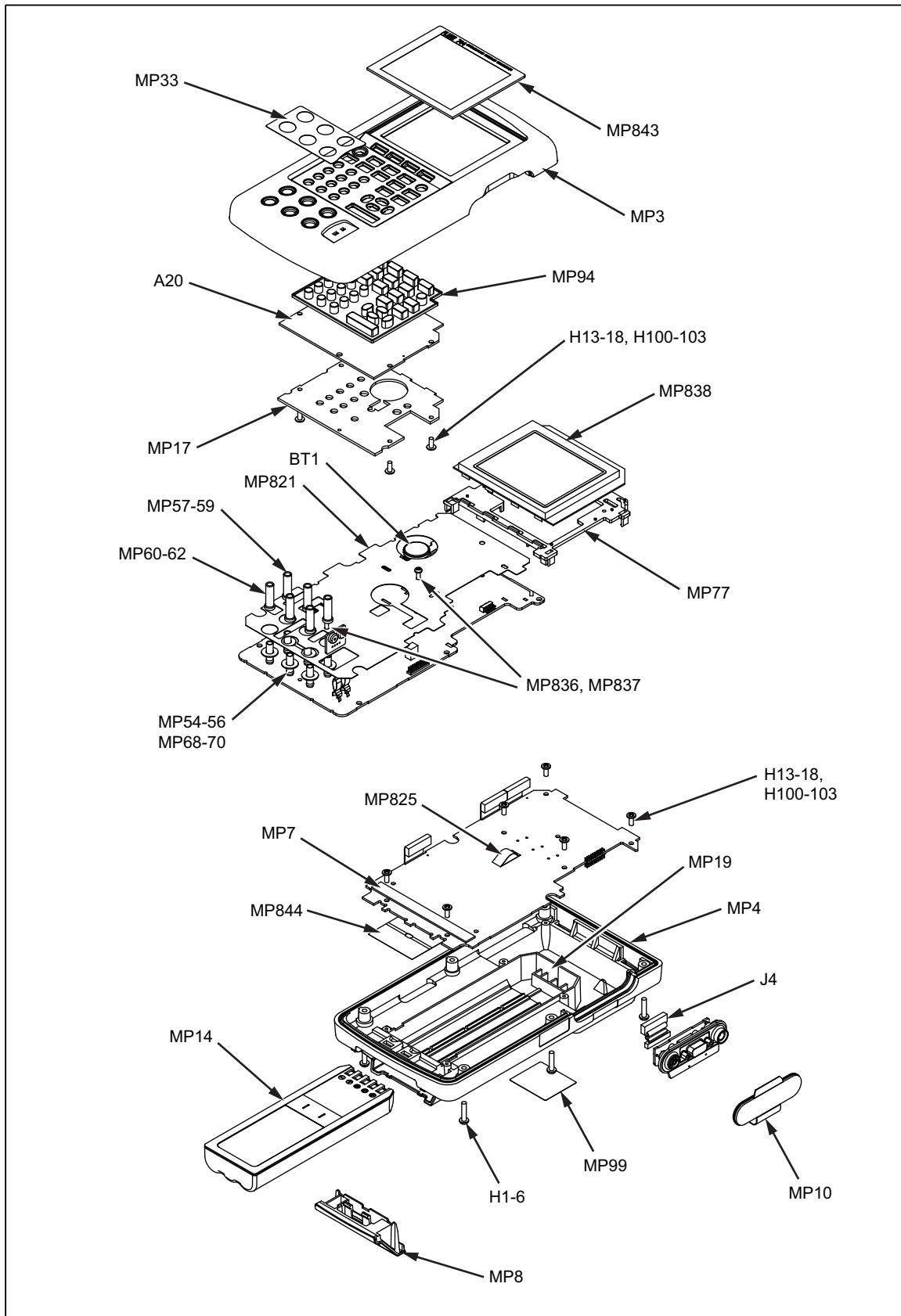
## Change #2

On pages 35 and 36, replace **Table 19**, add **Figure 17**, and add **Tables 20** and **21**.

**Table 19. Replacement Parts**

Designator	741B PN	743B PN	744 PN	Description
A20	202389	202389	202389	PCA, Keyboard, A36, CE Vers
BT1	929369	929369	929369	Battery,Primary,Lithium-Mno2, 3v, 0.18ah, CR2032, Coin
H1-6	942797	942797	942797	Screw, Btnh,T,SS,M3.5x16
H13-18, H100-103	494641	494641	494641	Screw, 5-20,.312, Washer Head, Phillips, Steel, Zinc-Chromate
J4	2726702	2726702	2726702	Cable Assembly, Flat, 2 Row, 26 Cond,1.25 L
MP3	202421	202421	202421	Top Case, Grey/Yellow
MP4	202439	202439	202439	Bottom Case, Grey/Yellow
MP7	105841	105841	105841	Tape, Foam, Urethane, Adhes, .063, .250
MP8	938357	938357	938357	Battery Door
MP10	938274	938274	938274	Side Plug
MP14	938170	938170		Battery Pack Assy, NiCad
MP14			665083	Battery Pack, NiMh
MP17	202330	202330	202330	Keyboard Shield
MP19	949441	949441	949441	Battery Pad
MP33	202413	202413	202413	Top Case Decal, Yellow
MP54-MP56, MP68-MP70	601390	601390	601390	Washer, Flat, Silicone, .200, .500, .032
MP57-MP59	884254	884254	884254	Insulator, Input Receptacle (Red)
MP60-MP62	884259	884259	884259	Insulator, Input Receptacle (Black)
MP77	946681	946681	-	Display Bracket
MP94			662863	Keypad, 744
MP94	606910	606910		Keypad 741B & 743B
MP99	949479	949479	949479	Label, Certified Calibration
MP825	601051	601051	601051	Ground Strip, BeCu, Spring Fingers,.76
MP836- MP837	256164	256164	256164	Screw, Ph, P, Lock, Ss, 4-40, .375
MP838	602430	602430	602430	LCD Module, 240x200, Monochrome Graphics, Led Backlight, 0.29mm Dpi
MP843	949487			Lens With Logo, 741B
MP843		949490		Lens With Logo, 743B
MP843			662871	Lens With Logo, 744
MP844	3369101	3369101	3369101	Mylar Insulator
MP845	691854	691854	691854	Battery Charger, Ni-Cd/Mh, 7.2V, 1.7A
PS1	690552	690552	690552	Power Supply, 23W,15V@1.5A,Charger/Converter, International
TL1	944632	944632	944632	Test Lead, 10cm, Black
TM1			804341	744 Hart Mode User Manual Set, English/ French/

				Spanish
TM2			804333	744 Hart Mode User Manual Set, German, Italian
TM3	644986	644986		741B & 743B User Manual Set, Manual, ENG/FR/SP
TM4	649787	649787		741B & 743B Users Manual Set, German, Italian
TM5	602505	602505	602505	74X Series Calibration Manual
TM6		604824	604824	Information Pack, Manual/Disk, DPC/Track Demo



gb20.eps

Figure 17. Final Assembly

Table 20. Accessories

Item Number	Description
AC220	Safety Alligator, Black, AC220
TP220	Banana Test Probe, Red, TP220
TL224	Test Lead set, Red & Black, R/A Plug - Plug
689653	Cable Assembly, Hart Adaptor
943738	Cable Assembly, RS232
946769	Strap, 701/702
BE9005 120	DPC Battery Eliminator 120V US
BE9005 220	DPC Battery Eliminator 220V Euro
BE9005 240	DPC Battery Eliminator 240V UK
BP7235	BP7235 NiMH Battery Pack
BP7217	BP7217 Ni-Cd Battery Pack
BC7217	BC7217 Battery Charger
Fluke-700SW	DPC/TRACK application software
Fluke-700BCW	Bar Code Wand
Fluke-700-IV	Current Shunt
Fluke-700TC1	TC miniplug kit
Fluke-700TC2	Fluke-700TC2 TC miniplug kit
C781	C781 Soft Carrying Case
C789	C789 Soft Carrying Case
C700	C700 Hard Carrying Case

**Table 21. Pressure Accessories**

<b>Item Number</b>	<b>Description</b>
Fluke-700P01	Fluke-700P01: 0 to 10" H2O (differential, dry)
Fluke-700P02	Fluke-700P02: 0 to 1 psi (differential, dry)
Fluke-700P22	Fluke-700P22: 0 to 1 psi (differential, wet)
Fluke-700P03	Fluke-700P03: 0 to 5 psi (differential, dry)
Fluke-700P23	Fluke-700P23: 0 to 5 psi (differential, wet)
Fluke-700P04	Fluke-700P04: 0 to 15 psi (differential, dry)
Fluke-700P24	Fluke-700P24: 0 to 15 psi (differential, wet)
Fluke-700P05	Fluke-700P05: 0 to 30 psi (gage, wet)
Fluke-700P06	Fluke-700P06: 0 to 100 psi (gage, wet)
Fluke-700P07	Fluke-700P07: 0 to 500 psi (gage, wet)
Fluke-700P08	Fluke-700P08: 0 to 1,000 psi (gage, wet)
Fluke-700P09	Fluke-700P09: 0 to 1,500 psi (gage, wet)
Fluke-700P29	Fluke-700P29: 0 to 3,000 psi (gage, wet)
Fluke-700P30	Fluke-700P30: 0 to 5,000 psi (gage, wet)
Fluke-700P31	Fluke-700P31: 0 to 10,000 psi (gage, wet)
Fluke-700PA3	Fluke-700PA3: 0 to 5 psi (absolute, wet)
Fluke-700PA4	Fluke-700PA4: 0 to 15 psi (absolute, wet)
Fluke-700PA5	Fluke-700PA5: 0 to 30 psi (absolute, wet)
Fluke-700PA6	Fluke-700PA6: 0 to 100 psi (absolute, wet)
Fluke-700PV3	Fluke-700PV3: 0 to -5 psi (vacuum, dry)
Fluke-700PV4	Fluke-700PV4: 0 to -15 psi (vacuum, dry)
Fluke-700PD2	Fluke-700PD2: $\pm 1$ psi (dual range, dry)
Fluke-700PD3	Fluke-700PD3: $\pm 5$ psi (dual range, dry)
Fluke-700PD4	Fluke-700PD4: $\pm 15$ psi (dual range, dry)
Fluke-700PD5	Fluke-700PD5: -15/+30 psi (dual range, wet)
Fluke-700PD6	Fluke-700PD6: -15/+100 psi (dual range, wet)
Fluke-700PD7	Fluke-700PD7: -15/+200 psi (dual range, wet)
700LTP-1	Low Pressure Test Pump
700PTP-1	Pneumatic test pump
700HTP-1	Hydraulic test pump

gb20.eps