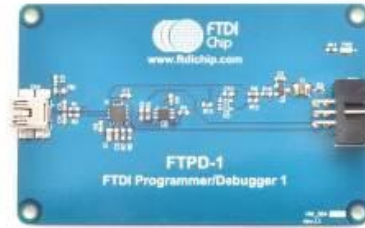


Future Technology Devices International Ltd

FTPD-1 FTDI Programmer Debugger 1 Module Datasheet



FTPD-1 is a module used for programming and debugging.

1. Introduction

The FTPD-1 is a module with a FT230X USB to UART converter and a dual buffer. The FTPD-1 utilises these components to generate a single line half-duplex UART signal with no handshake which can be used to program several of FTDI's MCU devices, predominantly FT51A.

This module also provides a switched 5V power supply to the target device and is configured such that it does not infringe USB compliance regulations for supplying bus power.

FTPD-1's board dimensions are the same as a credit card; however the fitted components give it additional height. The module is supplied with a berg connector ribbon cable; however it is compatible for operation with pogo pin cables.

All components used, including the FT230X are Pb-free (RoHS compliant).

1.1 Features

The FTPD-1 has the following features:

- Full-Speed USB to UART converter
- Single half-duplex UART data pin input/output
- Two dedicated GPIOs to control Reset# and Prog# outputs
- TXDEN line to control the direction of the half-duplex UART data
- PWREN# line to control the power supply
- 2X3 way 2.54mm pitch shrouded male header
- 150mm ribbon cable with Female to Female 2.54mm pitch 2x3 way connectors
- Protected by resettable fuse with 0.5A hold current and schottky diode on the output power line.
- Pogo pin compatible
- Power output available, indication LED

Neither the whole nor any part of the information contained in, or the product described in this manual, may be adapted or reproduced in any material or electronic form without the prior written consent of the copyright holder. This product and its documentation are supplied on an as-is basis and no warranty as to their suitability for any particular purpose is either made or implied. Future Technology Devices International Ltd will not accept any claim for damages howsoever arising as a result of use or failure of this product. Your statutory rights are not affected. This product or any variant of it is not intended for use in any medical appliance, device or system in which the failure of the product might reasonably be expected to result in personal injury. This document provides preliminary information that may be subject to change without notice. No freedom to use patents or other intellectual property rights is implied by the publication of this document. Future Technology Devices International Ltd, Unit 1, 2 Seaward Place, Centurion Business Park, Glasgow G41 1HH United Kingdom. Scotland Registered Company Number: SC136640

Table of Contents

1. Introduction	1
1.1 Features	1
2 Driver Support	3
3 Ordering Information	4
4 FTDP-1 Signals	5
4.1 FTDP-1 Pin Out	5
4.2 Signal Descriptions	6
5 Module Dimensions	7
6 FTDP-1 Module Circuit Schematic	8
7 Hardware Setup Guide	9
7.1 Connecting to MCU board	9
7.2 Connecting to PC	10
8 Contact Information	11
Appendix A – List of Figures and Tables	12
List of Figures	12
List of Tables	12
Appendix B – Revision History	13

2 Driver Support

Royalty-Free Drivers (USB Drivers + DLL S/W Interface):

- Windows 10 32,64-bit
- Windows 8.1 32,64-bit
- Windows 8 32,64-bit
- Windows 7 32,64-bit

The drivers listed above are all available to download for free from www.ftdichip.com.

3 Ordering Information

Module Code	Description
FTPD-1	FTDI Programmer / Debugger Module

4 FTDP-1 Signals

4.1 FTPD-1 Pin Out

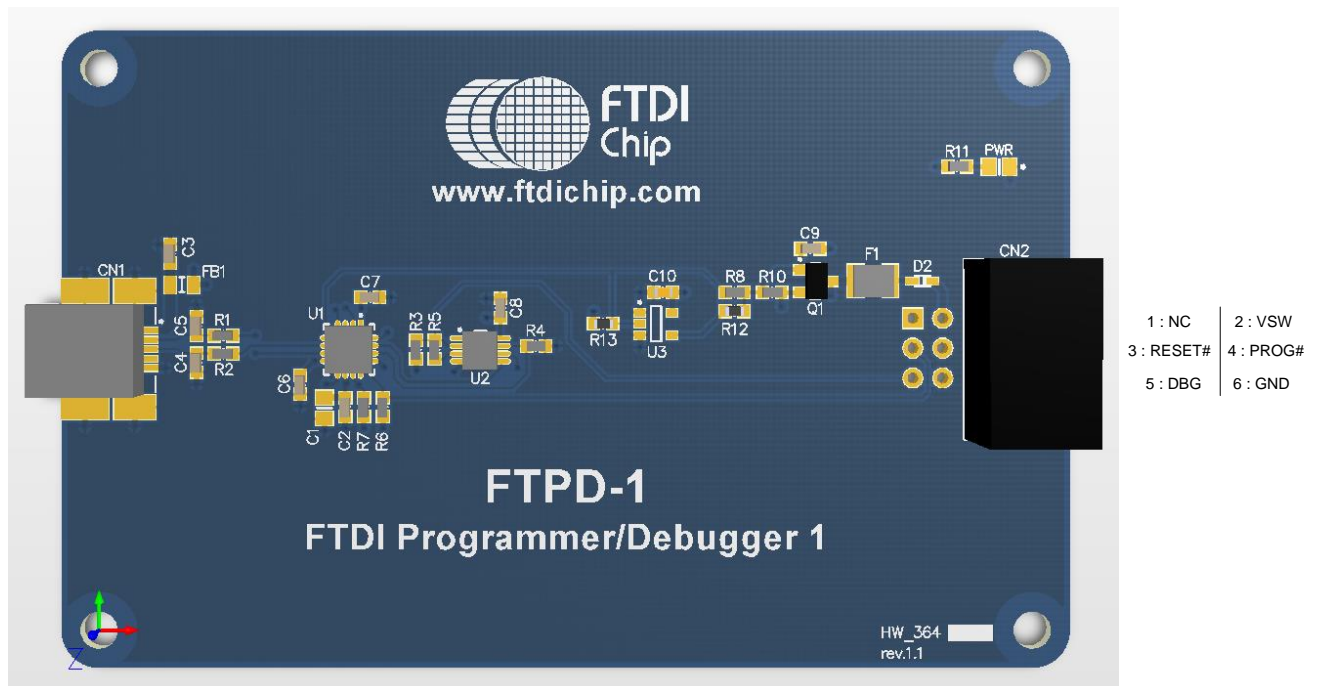


Figure 1 – Module Pin Out

Figure 1 illustrates the signals available on the 6 pin header of the FTPD-1.

4.2 Signal Descriptions

Pin No.	Name	Type	Description
CN2-1	NC	Not Connected	Floating pin.
CN2-2	VSW	Power Out	5 volt power output. Outputs power sources from the USB bus when the FT230X has enumerated.
CN2-3	RESET#	Signal Output	Active low reset output.
CN2-4	PROG#	Signal Output	Active low PROG# output..
CN2-5	DBG	Signal Input/output	Half-duplex UART data pin.
CN2-6	GND	Ground	0V Ground.

Table 1 - Module Pin Out Description

Pin No.	Name	Type	Description
CN1-1	VBUS	Power	5 volt power input.
CN1-2	DM	Signal Input/Output	USB Data - from upstream device
CN1-3	DP	Signal Input/Output	USB Data + from upstream device
CN1-4	GND	Ground	0 volt ground.

Table 2 - Upstream USB Port Pin Out Description

5 Module Dimensions

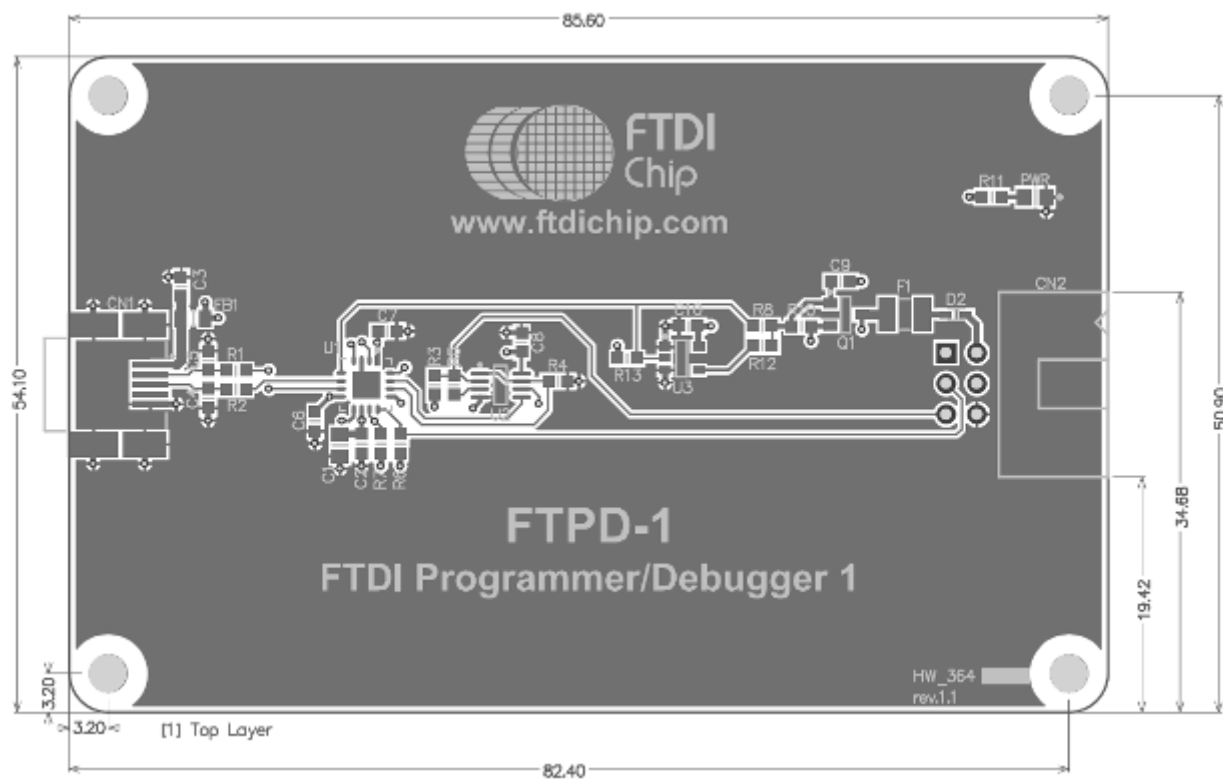


Figure 2 – FTPD-1 Module Dimensions

All dimensions are given in millimetres.

The FTPD-1 module exclusively uses lead free components, and is fully compliant with European Union directive 2002/95/EC.

6 FTPD-1 Module Circuit Schematic

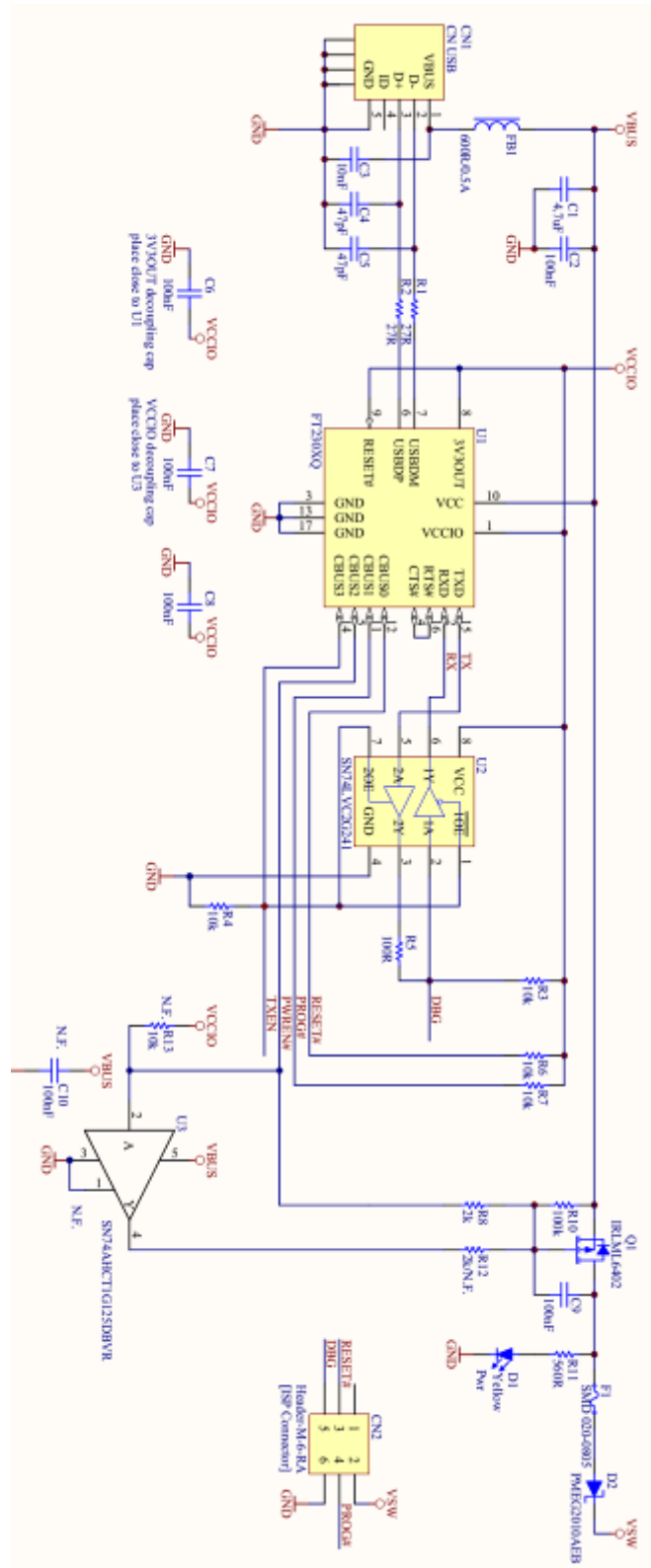


Figure 3 – Module Circuit Schematic

7 Hardware Setup Guide

The FTPD-1 is designed to be used with FTDI's microcontroller chips for firmware programming and debugging purposes. It allows direct connection with FT51A modules such as UMFT51A-EVM and UMFT51AA, with the 6-way ribbon cable assembly provided in the package.

7.1 Connecting to MCU board



Figure 4 - FTPD-1 connection to UMFT51A-EVM



Figure 5 - FTPD-1 connection to UMFT51AA-1

7.2 Connecting to PC

The FTPD-1 has a mini-USB connector for the host connection. The first time the FTPD-1 module is connected to a Windows PC, the USB device drivers need to install. This should happen automatically if the PC is connected to the internet. Alternatively users can download the D2XX driver from the [FTDI website](#) and install the driver manually.

Successful installation will result in a new device appearing in the Device manager under universal Serial Bus Controllers

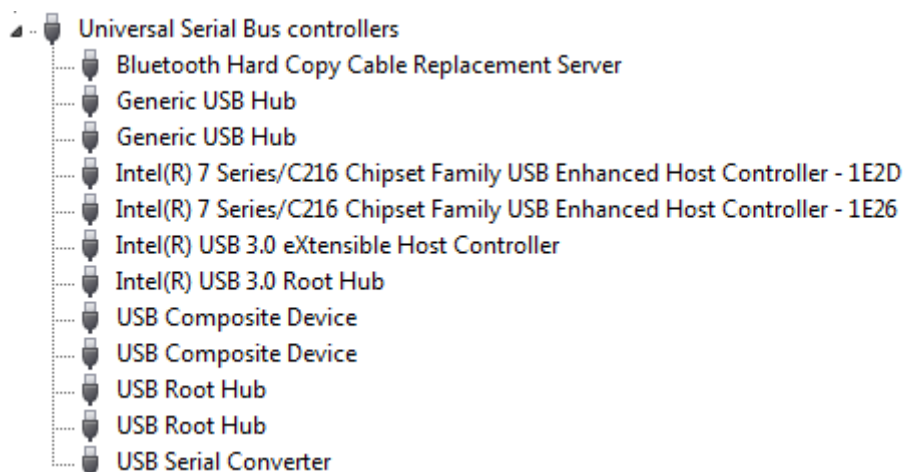


Figure 6 - FTPD-1 successful driver installation

It is labelled "USB Serial Converter" – the text coming from the driver file.

8 Contact Information

Head Office – Glasgow, UK

Unit 1, 2 Seaward Place, Centurion Business Park
Glasgow G41 1HH
United Kingdom
Tel: +44 (0) 141 429 2777
Fax: +44 (0) 141 429 2758

E-mail (Sales) sales1@ftdichip.com
E-mail (Support) support1@ftdichip.com
E-mail (General Enquiries) admin1@ftdichip.com

Branch Office – Tigard, Oregon, USA

7130 SW Fir Loop
Tigard, OR 97223
USA
Tel: +1 (503) 547 0988
Fax: +1 (503) 547 0987

E-Mail (Sales) us.sales@ftdichip.com
E-Mail (Support) us.support@ftdichip.com
E-Mail (General Enquiries) us.admin@ftdichip.com

Branch Office – Taipei, Taiwan

2F, No. 516, Sec. 1, NeiHu Road
Taipei 114
Taiwan, R.O.C.
Tel: +886 (0) 2 8797 1330
Fax: +886 (0) 2 8751 9737

E-mail (Sales) tw.sales1@ftdichip.com
E-mail (Support) tw.support1@ftdichip.com
E-mail (General Enquiries) tw.admin1@ftdichip.com

Branch Office – Shanghai, China

Room 1103, No. 666 West Huaihai Road,
Shanghai, 200052
China
Tel: +86 (0)21 6235 1596
Fax: +86 (0)21 6235 1595

E-mail (Sales) cn.sales@ftdichip.com
E-mail (Support) cn.support@ftdichip.com
E-mail (General Enquiries) cn.admin@ftdichip.com

Web Site

<http://ftdichip.com>

Distributor and Sales Representatives

Please visit the Sales Network page of the [FTDI Web site](#) for the contact details of our distributor(s) and sales representative(s) in your country.

System and equipment manufacturers and designers are responsible to ensure that their systems, and any Future Technology Devices International Ltd (FTDI) devices incorporated in their systems, meet all applicable safety, regulatory and system-level performance requirements. All application-related information in this document (including application descriptions, suggested FTDI devices and other materials) is provided for reference only. While FTDI has taken care to assure it is accurate, this information is subject to customer confirmation, and FTDI disclaims all liability for system designs and for any applications assistance provided by FTDI. Use of FTDI devices in life support and/or safety applications is entirely at the user's risk, and the user agrees to defend, indemnify and hold harmless FTDI from any and all damages, claims, suits or expense resulting from such use. This document is subject to change without notice. No freedom to use patents or other intellectual property rights is implied by the publication of this document. Neither the whole nor any part of the information contained in, or the product described in this document, may be adapted or reproduced in any material or electronic form without the prior written consent of the copyright holder. Future Technology Devices International Ltd, Unit 1, 2 Seaward Place, Centurion Business Park, Glasgow G41 1HH, United Kingdom. Scotland Registered Company Number: SC136640

Appendix A – List of Figures and Tables

List of Figures

Figure 1 – Module Pin Out.....	5
Figure 2 – FTPD-1 Module Dimensions.....	7
Figure 3 – Module Circuit Schematic.....	8
Figure 4 - FTPD-1 connection to UMFT51A-EVM	9
Figure 5 - FTPD-1 connection to UMFT51AA-1	10
Figure 6 - FTPD-1 successful driver installation.....	10

List of Tables

Table 1 - Module Pin Out Description.....	6
Table 2 - Upstream USB Port Pin Out Description.....	6



Appendix B – Revision History

Document Title: FTPD-1 FTDI Programmer Debugger 1 Module Datasheet
Document Reference No.: FT_001263
Clearance No.: FTDI# 480
Product Page: <http://www.ftdichip.com>
Document Feedback: [Send Feedback](#)

Revision	Changes	Date
Version 1.0	Initial Release	2015-12-07

Revision History

Revision history (internal use only, please clearly state all changes here before saving the file)

Revision	Date YYYY-MM-DD	Changes	Editor
Draft	2014-07-14	Initial Datasheet Created	John Quinn
1.0	2015-11-04	Reviewed with edits, more edits required	G Lunn
1.0	2015-11-09	Added Chapter 7 hardware Setup Guide. Other minor edits.	D Wang
1.0	2015-11-09	Reviewed. Some changes and comments added. Old document template.	D Paterson
1.0	2015-11-11	Updated to comment.	D Wang
1.0	2015-11-12	Assuming everyone is happy with the reference to VNC2. (personally would not) then the doc is recommended for approval	G Lunn
1.0	2015-11-16	Changed FT231X to FT230X	D Wang
1.0	2015-11-18	Deleted all reference to Vinculum after discussion with R&D Recommend for approval	G Lunn
1.0	2015-12-07	Approved LCE	L Subramanian