

MM74HC174 — Hex D-Type Flip-Flops with Clear

Features


- Typical Propagation Delay: 16ns
- Wide Operating Voltage Range: 2V–6V
- Low Input Current: 1μA maximum
- Low Quiescent Current: 80μA (74HC Series)
- Output Drive: 10 LSTTL Loads

Description

The MM74HC174 edge-triggered flip-flops utilize silicon-gate CMOS technology to implement D-type flip-flops. They possess high noise immunity, low-power, and speeds comparable to low-power Schottky TTL circuits. This device contains six master-slave flip-flops with a common clock and common clear. Data on the D input with the specified setup and hold times is transferred to the Q output on the LOW-to-HIGH transition of the CLOCK input. When LOW, the input sets all outputs to a LOW state.

Each output can drive ten low-power Schottky TTL equivalent loads. The MM74HC174 is functionally and pin comparable to the 74LS174. All inputs are protected from damage due to static discharge by diodes to V_{CC} and ground.

Ordering Information

Part Number	Operating Temperature Range	 Eco Status	Package	Packing Method
MM74HC174M	-40 to +85°C	RoHS	16-Lead Small Outline Integrated Circuit (SOIC), JEDEC MS-012, 0.150 Inch Narrow	Tubes
MM74HC174MX	-40 to +85°C			Tape and Reel
MM74HC174MTC	-40 to +85°C	RoHS	16-Lead Thin Shrink Small Outline Package (TSSOP), JEDEC MO-153, 4.4mm Wide	Tubes
MM74HC174MTCX	-40 to +85°C			Tape and Reel
MM74HC174N	-40 to +85°C	RoHS	16-Lead Plastic Dual-In-Line Package (PDIP), JEDEC MS-001, 0.300 Inch Wide	Tubes

 For Fairchild's definition of "green" Eco Status, please visit: http://www.fairchildsemi.com/company/green/rohs_green.html.

Pin Configuration

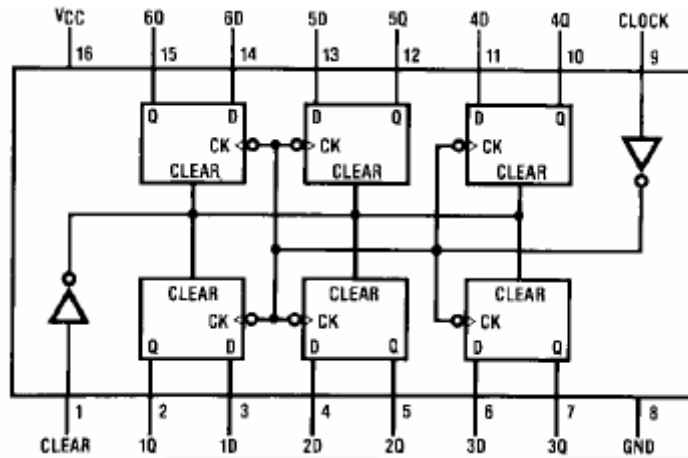


Figure 1. Pin Configuration (Top View)

Truth Table (Each Flip-Flop)

Inputs			Output
Clear	Clock	D	Q
LOW	Don't Care	Don't Care	LOW
HIGH	↑ ⁽¹⁾	HIGH	HIGH
HIGH	↑ ⁽¹⁾	LOW	LOW
HIGH	LOW	Don't Care	Q ₀ ⁽²⁾

Notes:

1. Transition from LOW to HIGH level.
2. The level of Q before the indicated steady-state input conditions were established.

Logic Diagram

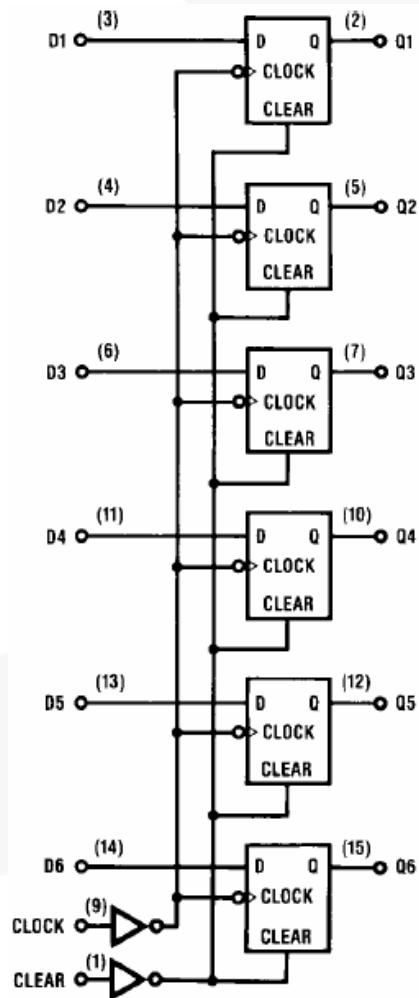


Figure 2. Logic Diagram

Absolute Maximum Ratings

Stresses exceeding the absolute maximum ratings may damage the device. The device may not function or be operable above the recommended operating conditions and stressing the parts to these levels is not recommended. In addition, extended exposure to stresses above the recommended operating conditions may affect device reliability. The absolute maximum ratings are stress ratings only. Unless otherwise noted, all voltages are referenced to ground.

Symbol	Parameter	Min.	Max.	Unit
V_{CC}	Supply Voltage	-0.5	+7.0	V
V_{IN}	DC Input Voltage	-1.5 to V_{CC}	+1.5	V
V_{OUT}	DC Output Voltage	-0.5 to V_{CC}	+0.5	V
I_{IK}, I_{OK}	Clamp Diode Current		± 20	mA
I_{OUT}	DC Output Current, per Pin		± 25	mA
I_{CC}	DC V_{CC} or GND Current, per Pin		± 50	mA
T_{STG}	Storage Temperature Range	-65	+150	$^{\circ}\text{C}$
P_D	Power Dissipation ⁽³⁾	TSSOP, PDIP	600	mW
		SOIC	500	
T_L	Lead Temperature, Soldering 10 Seconds		260	$^{\circ}\text{C}$

Notes:

- Power dissipation temperature derating— plastic “N” package: 12mW/ $^{\circ}\text{C}$ from 65 $^{\circ}$ to 85 $^{\circ}\text{C}$.

Recommended Operating Conditions

The Recommended Operating Conditions table defines the conditions for actual device operation. Recommended operating conditions are specified to ensure optimal performance to the datasheet specifications. Fairchild does not recommend exceeding them or designing to Absolute Maximum Ratings.

Symbol	Parameter	Conditions	Min.	Max.	Unit
V_{CC}	Supply Voltage		2	6	V
V_{IN}, V_{OUT}	DC Input or Output Voltage		0	V_{CC}	V
T_A	Operating Temperature Range		-40	+85	$^{\circ}\text{C}$
t_r, t_f	Input Rise and Fall Times	$V_{CC}=2.0\text{V}$		1000	ns
		$V_{CC}=4.5\text{V}$		500	ns
		$V_{CC}=6.0\text{V}$		400	ns

DC Electrical Characteristics⁽⁴⁾

Symbol	Parameter	Conditions	V _{CC} (V)	T _A =25°C	T _A =-40 to+85°C	T _A =-55 to +125°C	Units	
				Typ.	Guaranteed Limits			
V _{IH}	Minimum HIGH Level Input		2.0		1.5	1.5	1.5	V
			4.5		3.15	3.15	3.15	
			6.0		4.2	4.2	4.2	
V _{IL}	Minimum LOW Level Input		2.0		0.5	0.5	0.5	V
			4.5		1.35	1.35	1.35	
			6.0		1.8	1.8	1.8	
V _{OH}	Minimum HIGH Level Output Voltage	V _{IN} =V _{IH} or V _{IL} , I _{OUT} ≤ 20μA	2.0	2.0	1.9	1.9	1.9	V
			4.5	4.5	4.4	4.4	4.4	
			6.0	6.0	5.9	5.9	5.9	
V _{OH}	Minimum HIGH Level Output Voltage	V _{IN} =V _{IH} or V _{IL} , I _{OUT} ≤ 4.0mA	4.5	4.20	3.98	3.84	3.70	V
			6.0	5.70	5.48	5.34	5.20	
			6.0	5.70	5.48	5.34	5.20	
V _{OL}	Minimum LOW Level Output Voltage	V _{IN} =V _{IH} or V _{IL} , I _{OUT} ≤ 20μA	2.0	0	0.1	0.1	0.1	V
			4.5	0	0.1	0.1	0.1	
			6.0	0	0.1	0.1	0.1	
V _{OL}	Minimum LOW Level Output Voltage	V _{IN} =V _{IH} or V _{IL} , I _{OUT} ≤ 4.0mA	4.5	0.2	0.26	0.33	0.40	V
			6.0	0.20	0.26	0.33	0.40	
			6.0	0.20	0.26	0.33	0.40	
I _{IN}	Maximum Input Current	V _{IN} =V _{CC} or GND	6.0		±0.1	±1.0	±1.0	μA
I _{CC}	Maximum Quiescent Supply Current	V _{IN} =V _{CC} or GND, I _{OUT} =0μA	6.0		8	80	160	μA

Note:

4. For a power supply of 5V ±10%, the worst-case output voltages (V_{OH} and V_{OL}) occur for HC at 4.5V. The 4.5V values should be used when designing with this supply. Worst-case V_{IH} and V_{IL} occur at V_{CC} = 5.5V and 4.5V, respectively. (The V_{IH} value at 5.5V is 3.85V.) The worst-case leakage current (I_{IN}, I_{CC}, and I_{OZ}) occurs for CMOS at the higher voltage, so the 6.0V values should be used.

AC Electrical Characteristics

$V_{CC} = 5V$, $T_A = 25^\circ C$ and $C_L = 15pF$, $t_r = t_f = 6ns$.

Symbol	Parameter	Typ.	Guaranteed Limit	Unit
f_{MAX}	Maximum Operating Frequency	50	30	MHz
t_{PHL}, t_{PLH}	Maximum Propagation Delay, Clock, or Clear to Output	16	30	ns
t_{REM}	Minimum Removal Time, Clear to Clock	-2	5	ns
t_S	Minimum Setup Time, Data to Clock	10	20	ns
t_H	Minimum Hold Time, Clock to Data	0	5	ns
t_W	Minimum Pulsewidth, Clock or Clear	10	16	ns

AC Electrical Characteristics⁽⁵⁾

$C_L = 50pF$, $t_r = t_f = 6ns$ unless otherwise noted.

Symbol	Parameter	V_{CC} (V)	$T_A = 25^\circ C$		$T_A = -40$	$T_A = -55$ to	Units
			Typ.	Guaranteed Limits			
f_{MAX}	Maximum Operating Frequency	2.0		5	4	3	MHz
		4.5		27	21	18	
		6.0		31	24	20	
t_{PHL}, t_{PLH}	Maximum Propagation Delay, Clock, or Clear to Output	2.0	55	165	206	248	ns
		4.5	18	33	41	49	
		6.0	16	28	35	42	
t_{REM}	Minimum Setup Time, Data to Clock	2.0	1	5	5	5	ns
		4.5	1	5	5	5	
		6.0	1	5	5	5	
t_S	Minimum Setup Time, Data to Clock	2.0	42	100	125	150	ns
		4.5	12	20	25	30	
		6.0	10	17	21	25	
t_H	Minimum Hold Time, Clock to Data	2.0	1	5	5	5	ns
		4.5	1	5	5	5	
		6.0	1	5	5	5	
t_W	Minimum Pulse Width, Clock or Clear	2.0	35	80	106	120	ns
		4.5	10	16	20	24	
		6.0	8	14	18	20	
t_{TLH}, t_{THL}	Maximum Output Rise and Fall Time	2.0	30	75	95	110	ns
		4.5	8	15	19	22	
		6.0	7	13	16	19	
t_r, t_f	Maximum Input Rise and Fall Time	2.0		1000	1000	1000	ns
		4.5		500	500	500	
		6.0		400	400	400	
C_{PD}	Power Dissipation Capacitance ⁽⁵⁾ (per Package)		136				pF
C_{IN}	Maximum Input Capacitance		5	10	10	10	pF

Note:

5. C_{PD} determines the no-load dynamic power consumption, $P_D = C_{PD} V_{CC}^2 f + I_{CC} V_{CC}$, and the no-load dynamic current consumption, $I_S = C_{PD} V_{CC} f + I_{CC}$.

AC Waveforms

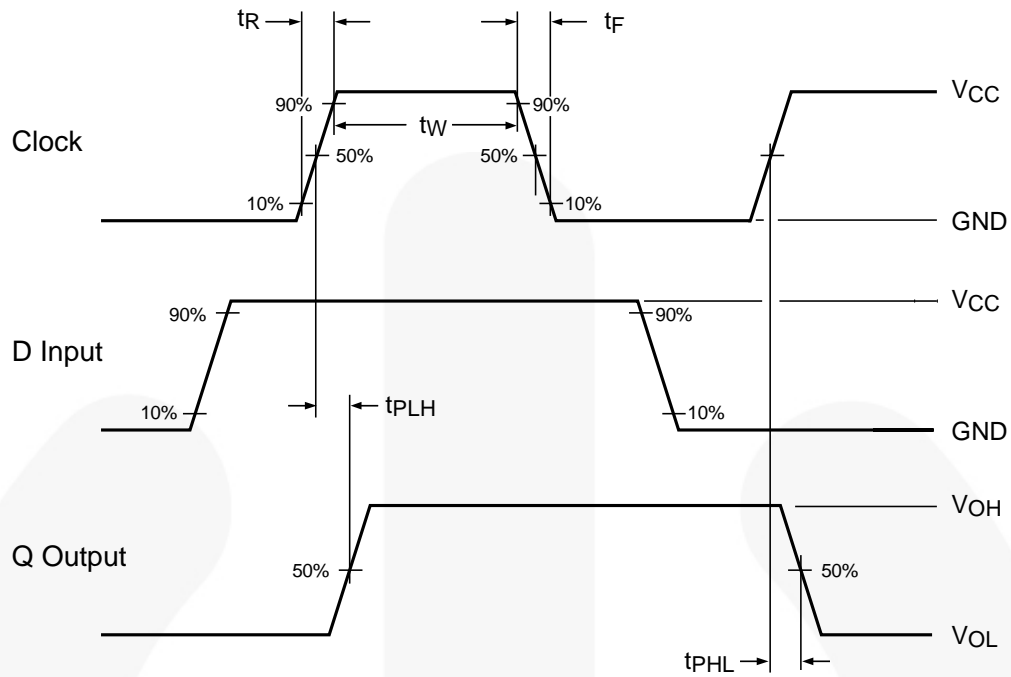


Figure 3. AC Waveform

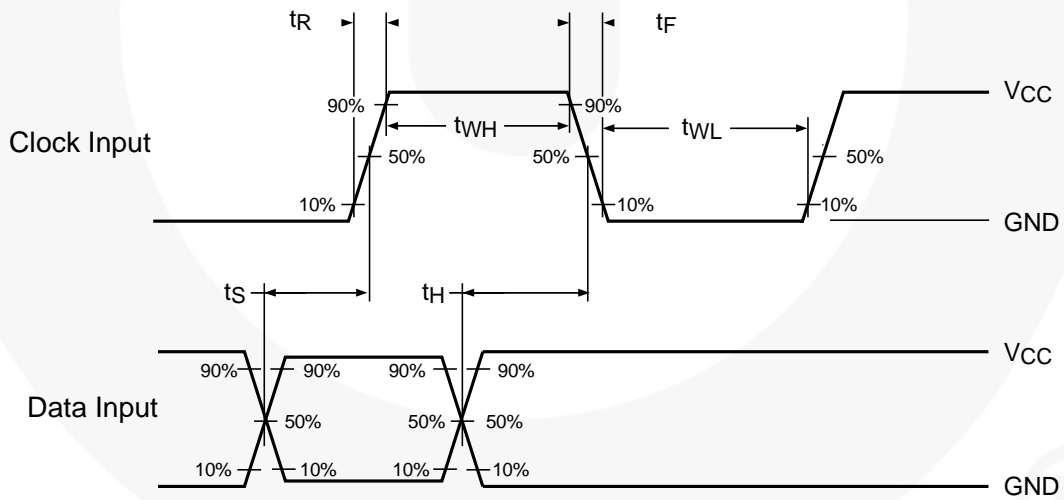


Figure 4. AC Waveform

Physical Dimensions

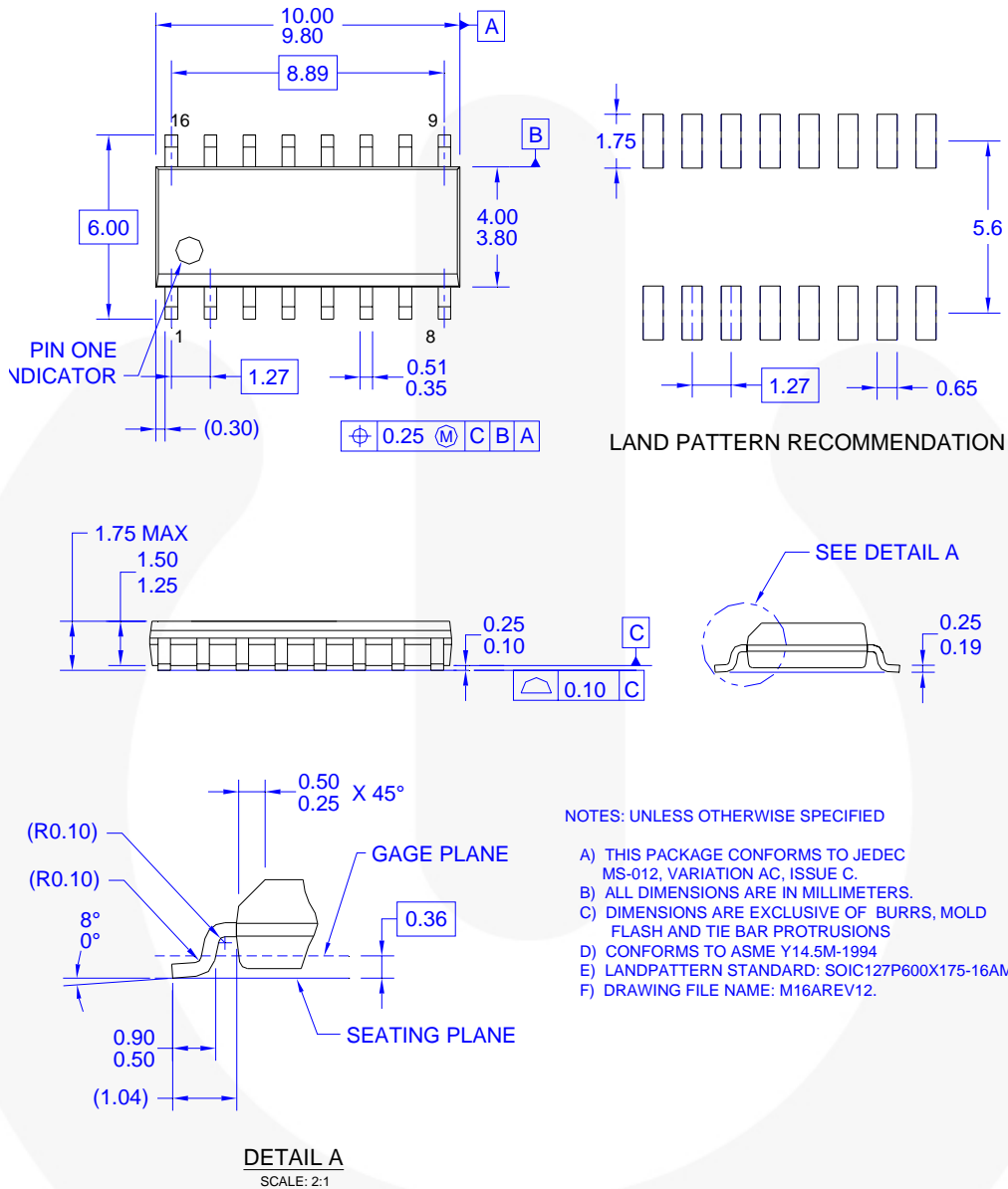
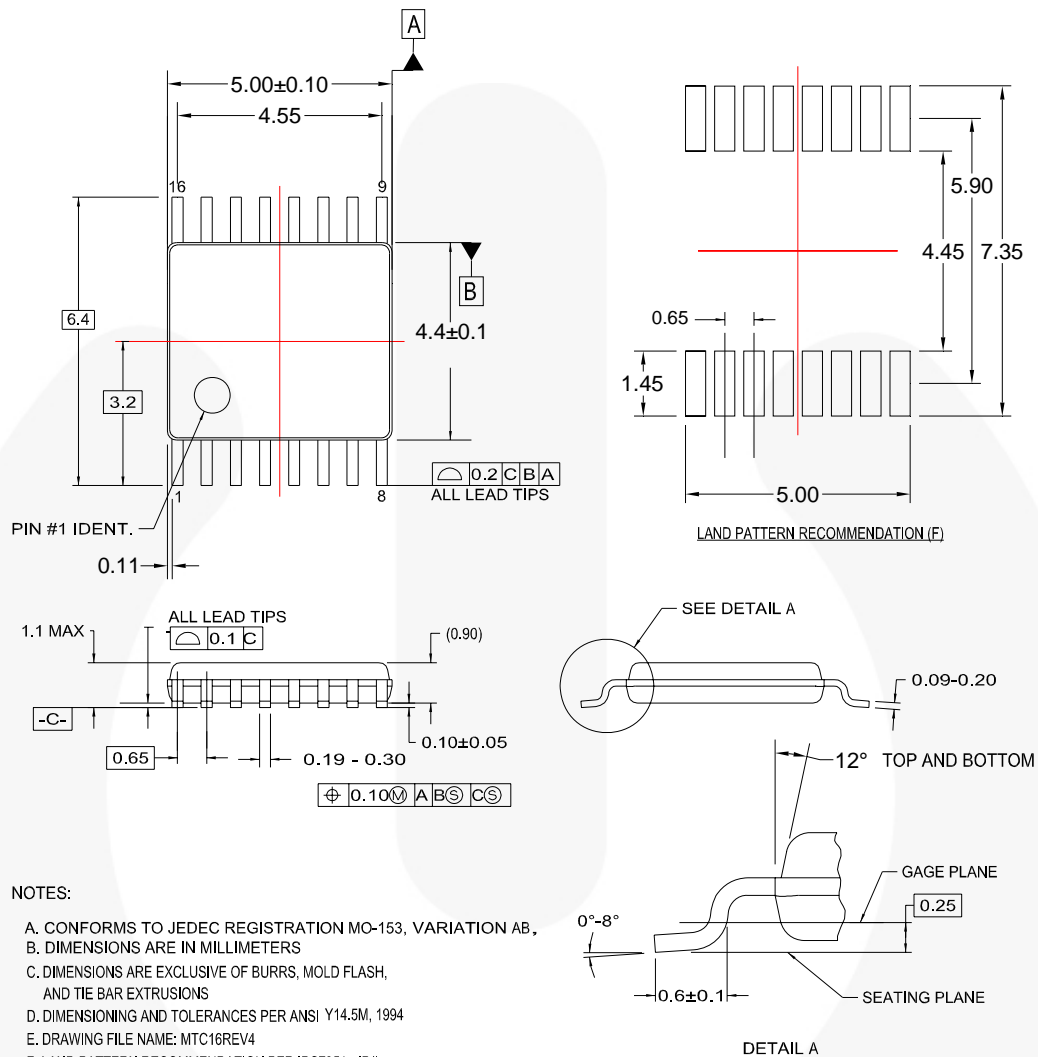


Figure 5. 16-Lead, Small Outline Integrated Circuit (SOIC)

Package drawings are provided as a service to customers considering Fairchild components. Drawings may change in any manner without notice. Please note the revision and/or date on the drawing and contact a Fairchild Semiconductor representative to verify or obtain the most recent revision. Package specifications do not expand the terms of Fairchild's worldwide terms and conditions, specifically the warranty therein, which covers Fairchild products.

Always visit Fairchild Semiconductor's online packaging area for the most recent package drawings:
<http://www.fairchildsemi.com/packaging/>

Physical Dimensions



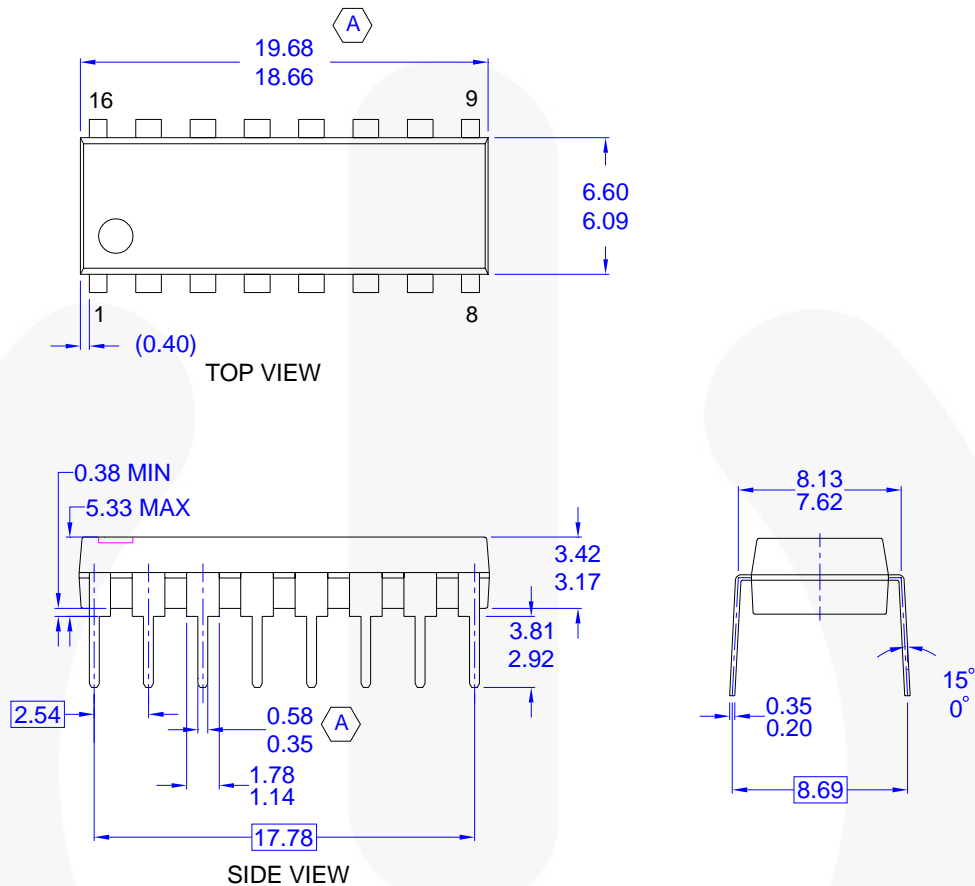
MTC16rev4

Figure 6. 16-Lead Thin Shrink Small Outline Package (TSSOP)

Package drawings are provided as a service to customers considering Fairchild components. Drawings may change in any manner without notice. Please note the revision and/or date on the drawing and contact a Fairchild Semiconductor representative to verify or obtain the most recent revision. Package specifications do not expand the terms of Fairchild's worldwide terms and conditions, specifically the warranty therein, which covers Fairchild products.

Always visit Fairchild Semiconductor's online packaging area for the most recent package drawings:
<http://www.fairchildsemi.com/packaging/>

Physical Dimensions



NOTES: UNLESS OTHERWISE SPECIFIED

- A) THIS PACKAGE CONFORMS TO JEDEC MS-001 VARIATION BB
- B) ALL DIMENSIONS ARE IN MILLIMETERS.
- C) DIMENSIONS ARE EXCLUSIVE OF BURRS, MOLD FLASH, AND TIE BAR PROTRUSIONS
- D) CONFORMS TO ASME Y14.5M-1994
- E) DRAWING FILE NAME: N16EREV1

Figure 7. 16-Lead Plastic Dual-In-Line Package (PDIP)

Package drawings are provided as a service to customers considering Fairchild components. Drawings may change in any manner without notice. Please note the revision and/or date on the drawing and contact a Fairchild Semiconductor representative to verify or obtain the most recent revision. Package specifications do not expand the terms of Fairchild's worldwide terms and conditions, specifically the warranty therein, which covers Fairchild products.

Always visit Fairchild Semiconductor's online packaging area for the most recent package drawings:
<http://www.fairchildsemi.com/packaging/>.


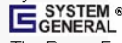


TRADEMARKS

The following includes registered and unregistered trademarks and service marks, owned by Fairchild Semiconductor and/or its global subsidiaries, and is not intended to be an exhaustive list of all such trademarks.

Build it Now™
CorePLUS™
CorePOWER™
CROSSVOLT™
CTL™
Current Transfer Logic™
EcoSPARK®
EfficientMax™
EZSWITCH™ *
™
™
Fairchild®
Fairchild Semiconductor®
FACT Quiet Series™
FACT®
FAST®
FastvCore™
FlashWriter® *
FPS™
F-PFS™

FRFET®
Global Power Resource™ SM
Green FPST™
Green FPS™ e-Series™
GTO™
IntelliMAX™
ISOPLANAR™
MegaBuck™
MICROCOUPLER™
MicroFET™
MicroPak™
MillerDrive™
MotionMax™
Motion-SPM™
OPTOLOGIC®
OPTOPLANAR®
™
PDP-SPM™
Power-SPM™
PowerTrench®
PowerXS™

Programmable Active Droop™
QFET®
QS™
Quiet Series™
RapidConfigure™
™
Saving our world, 1mW/W/kW at a time™
SmartMax™
SMART START™
SPM®
STEALTH™
SuperFET™
SuperSOT™.3
SuperSOT™.6
SuperSOT™.8
SupreMOS™
SyncFET™
™
The Power Franchise®

the **power** franchise
TinyBoost™
TinyBuck™
TinyLogic®
TINYOPTO™
TinyPower™
TinyPVM™
TinyWire™
µSerDes™
™
UHC®
Ultra FRFET™
UniFET™
VCX™
VisualMax™
XS™

* EZSWITCH™ and FlashWriter® are trademarks of System General Corporation, used under license by Fairchild Semiconductor.

DISCLAIMER

FAIRCHILD SEMICONDUCTOR RESERVES THE RIGHT TO MAKE CHANGES WITHOUT FURTHER NOTICE TO ANY PRODUCTS HEREIN TO IMPROVE RELIABILITY, FUNCTION, OR DESIGN. FAIRCHILD DOES NOT ASSUME ANY LIABILITY ARISING OUT OF THE APPLICATION OR USE OF ANY PRODUCT OR CIRCUIT DESCRIBED HEREIN; NEITHER DOES IT CONVEY ANY LICENSE UNDER ITS PATENT RIGHTS, NOR THE RIGHTS OF OTHERS. THESE SPECIFICATIONS DO NOT EXPAND THE TERMS OF FAIRCHILD'S WORLDWIDE TERMS AND CONDITIONS, SPECIFICALLY THE WARRANTY THEREIN, WHICH COVERS THESE PRODUCTS.

LIFE SUPPORT POLICY

FAIRCHILD'S PRODUCTS ARE NOT AUTHORIZED FOR USE AS CRITICAL COMPONENTS IN LIFE SUPPORT DEVICES OR SYSTEMS WITHOUT THE EXPRESS WRITTEN APPROVAL OF FAIRCHILD SEMICONDUCTOR CORPORATION.

As used herein:

1. Life support devices or systems are devices or systems which, (a) are intended for surgical implant into the body or (b) support or sustain life, and (c) whose failure to perform when properly used in accordance with instructions for use provided in the labeling, can be reasonably expected to result in a significant injury of the user.
2. A critical component in any component of a life support, device, or system whose failure to perform can be reasonably expected to cause the failure of the life support device or system, or to affect its safety or effectiveness.

ANTI-COUNTERFEITING POLICY

Fairchild Semiconductor Corporation's Anti-Counterfeiting Policy. Fairchild's Anti-Counterfeiting Policy is also stated on our external website, www.fairchildsemi.com, under Sales Support.

Counterfeiting of semiconductor parts is a growing problem in the industry. All manufacturers of semiconductor products are experiencing counterfeiting of their parts. Customers who inadvertently purchase counterfeit parts experience many problems such as loss of brand reputation, substandard performance, failed applications, and increased cost of production and manufacturing delays. Fairchild is taking strong measures to protect ourselves and our customers from the proliferation of counterfeit parts. Fairchild strongly encourages customers to purchase Fairchild parts either directly from Fairchild or from Authorized Fairchild Distributors who are listed by country on our web page cited above. Products customers buy either from Fairchild directly or from Authorized Fairchild Distributors are genuine parts, have full traceability, meet Fairchild's quality standards for handling and storage and provide access to Fairchild's full range of up-to-date technical and product information. Fairchild and our Authorized Distributors will stand behind all warranties and will appropriately address any warranty issues that may arise. Fairchild will not provide any warranty coverage or other assistance for parts bought from Unauthorized Sources. Fairchild is committed to combat this global problem and encourage our customers to do their part in stopping this practice by buying direct or from authorized distributors.

PRODUCT STATUS DEFINITIONS

Definition of Terms

Datasheet Identification	Product Status	Definition
Advance Information	Formative / In Design	Datasheet contains the design specifications for product development. Specifications may change in any manner without notice.
Preliminary	First Production	Datasheet contains preliminary data; supplementary data will be published at a later date. Fairchild Semiconductor reserves the right to make changes at any time without notice to improve design.
No Identification Needed	Full Production	Datasheet contains final specifications. Fairchild Semiconductor reserves the right to make changes at any time without notice to improve the design.
Obsolete	Not In Production	Datasheet contains specifications on a product that is discontinued by Fairchild Semiconductor. The datasheet is for reference information only.

Rev. I37