



## 74LVXC3245

### 8-Bit Dual Supply Configurable Voltage Interface Transceiver with 3-STATE Outputs

#### Features

- Bidirectional interface between 3V and 3V-to-5V buses
- Control inputs compatible with TTL level
- Outputs source/sink up to 24 mA
- Guaranteed simultaneous switching noise level and dynamic threshold performance
- Implements proprietary EMI reduction circuitry
- Flexible  $V_{CCB}$  operating range
- Allows B Port and  $V_{CCB}$  to float simultaneously when  $\overline{OE}$  is HIGH
- Functionally compatible with the 74 series 245

#### General Description

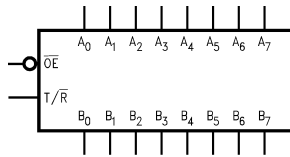
The LVXC3245 is a 24-pin dual-supply, 8-bit configurable voltage interface transceiver suited for PCMCIA and other real time configurable I/O applications. The  $V_{CCA}$  pin accepts a 3V supply level. The A Port is a dedicated 3V port. The  $V_{CCB}$  pin accepts a 3V-to-5V supply level. The B Port is configured to track the  $V_{CCB}$  supply level respectively. A 5V level on the  $V_{CC}$  pin will configure the I/O pins at a 5V level and a 3V  $V_{CC}$  will configure the I/O pins at a 3V level. The A Port should interface with a 3V host system and the B Port to the card slots. This device will allow the  $V_{CCB}$  voltage source pin and I/O pins on the B Port to float when  $\overline{OE}$  is HIGH. This feature is necessary to buffer data to and from a PCMCIA socket that permits PCMCIA cards to be inserted and removed during normal operation.

#### Ordering Code:

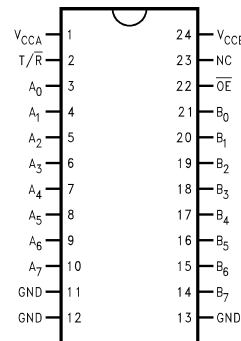
Order Number	Package Number	Package Description
74LVXC3245WM	M24B	224-Lead Small Outline Integrated Circuit (SOIC), JEDEC MS-013, 0.300" Wide
74LVXC3245QSC	MQA24	24-Lead Quarter Size Outline Package (QSOP), JEDEC MO-137, 0.150" Wide
74LVXC3245MTC	MTC24	24-Lead Thin Shrink Small Outline Package (TSSOP), JEDEC MO-153, 4.4mm Wide

Devices also available in Tape and Reel. Specify by appending suffix letter "X" to the ordering code.

#### Logic Symbol/s



#### Connection Diagram/s



#### Pin Descriptions

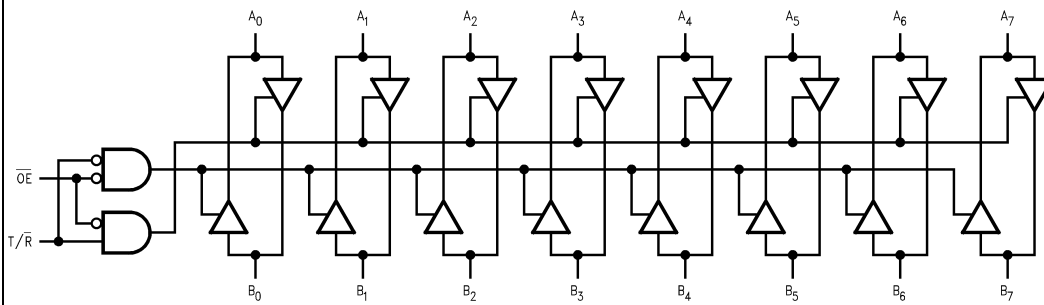
Pin Names	Description
$\overline{OE}$	Output Enable Input
T/R	Transmit/Receive Input
A <sub>0</sub> -A <sub>7</sub>	Side A Inputs or 3-STATE Outputs
B <sub>0</sub> -B <sub>7</sub>	Side B Inputs or 3-STATE Outputs

**Truth Table/s**

Inputs		Outputs
$\overline{OE}$	$\overline{T/R}$	
L	L	Bus B Data to Bus A
L	H	Bus A Data to Bus B
H	X	HIGH-Z State

H = HIGH Voltage Level  
 L = LOW Voltage Level  
 X = Immaterial

**Logic Diagram/s**



Absolute Maximum Ratings (Note 1)			Recommended Operating Conditions (Note 2)			
Supply Voltage ( $V_{CCA}, V_{CCB}$ )	-0.5V to +7.0V		Supply Voltage	$V_{CCA}$ 2.7V to 3.6V		
DC Input Voltage ( $V_I$ ) @ $\overline{OE}, T/\overline{R}$	-0.5V to $V_{CCA} + 0.5V$			$V_{CCB}$ 3.0V to 5.5V		
DC Input/Output Voltage ( $V_{I/O}$ )	-0.5V to $V_{CCB} + 0.5V$		Input Voltage ( $V_I$ ) @ $\overline{OE}, T/\overline{R}$	0V to $V_{CCA}$		
@ $A_n$	-0.5V to $V_{CCA} + 0.5V$		Input Output Voltage ( $V_{I/O}$ )	@ $A_n$ 0V to $V_{CCA}$		
@ $B_n$	-0.5V to $V_{CCB} + 0.5V$			@ $B_n$ 0V to $V_{CCB}$		
DC Input Diode Current ( $I_{IK}$ )	@ $\overline{OE}, T/\overline{R}$ ±20 mA		Free Air Operating Temperature ( $T_A$ )	-40°C to +85°C		
DC Output Diode ( $I_{OK}$ ) Current	±50 mA		Minimum Input Edge Rate ( $\Delta t/\Delta V$ )	8 ns/V		
DC Output Source or Sink Current ( $I_O$ )	±50 mA		$V_{IN}$ from 30% to 70% of $V_{CC}$	$V_{CC}$ @ 3.0V, 4.5V, 5.5V		
DC $V_{CC}$ or Ground Current	per Output Pin ( $I_{CC}$ or $I_{GND}$ ) and Max Current ±50 mA		<b>Note 1:</b> The "Absolute Maximum Ratings" are those values beyond which the safety of the device cannot be guaranteed. The device should not be operated at these limits. The parametric values defined in the Electrical Characteristics tables are not guaranteed at the absolute maximum ratings. The "Recommended Operating Conditions" table will define the conditions for actual device operation.			
Storage Temperature Range ( $T_{STG}$ )	-65°C to +150°C		<b>Note 2:</b> The A Port unused pins (inputs or I/Os) must be held HIGH or LOW. They may not float.			
DC Latch-Up Source or Sink Current	±300 mA					

### DC Electrical Characteristics

Symbol	Parameter	$V_{CCA}$ (V)	$V_{CCB}$ (V)	$T_A = 25^\circ\text{C}$		$T_A = -40^\circ\text{C to } +85^\circ\text{C}$		Units	Conditions
				Typ	Guaranteed Limits	Typ	Guaranteed Limits		
$V_{IHA}$	Minimum HIGH Level Input Voltage	$A_n$	2.7	3.0	2.0	2.0	V	$V_{OUT} \leq 0.1V$ or $\geq V_{CC} - 0.1V$	
		$\overline{OE}$	3.0	3.6	2.0	2.0			
		$T/\overline{R}$	3.6	5.5	2.0	2.0			
$V_{IHB}$		$B_n$	2.7	3.0	2.0	2.0	V		
			3.0	3.6	2.0	2.0			
			3.6	5.5	3.85	3.85			
$V_{ILA}$	Maximum LOW Level Input Voltage	$A_n$	2.7	3.0	0.8	0.8	V	$V_{OUT} \leq 0.1V$ or $\geq V_{CC} - 0.1V$	
		$\overline{OE}$	3.0	3.6	0.8	0.8			
		$T/\overline{R}$	3.6	5.5	0.8	0.8			
$V_{ILB}$		$B_n$	2.7	3.0	0.8	0.8	V		
			3.0	3.6	0.8	0.8			
			3.6	5.5	1.65	1.65			
$V_{OHA}$	Minimum HIGH Level Output Voltage	3.0	3.0	2.99	2.9	2.9	V	$I_{OUT} = -100 \mu A$ $I_{OH} = -12 \text{ mA}$ $I_{OH} = -24 \text{ mA}$ $I_{OH} = -12 \text{ mA}$ $I_{OH} = -24 \text{ mA}$	
		3.0	3.0	2.85	2.56	2.46			
		3.0	3.0	2.65	2.35	2.25			
		2.7	3.0	2.5	2.3	2.2			
		2.7	4.5	2.3	2.1	2.0			
$V_{OHB}$		3.0	3.0	2.99	2.9	2.9	V	$I_{OUT} = -100 \mu A$ $I_{OH} = -12 \text{ mA}$ $I_{OH} = -24 \text{ mA}$ $I_{OH} = -24 \text{ mA}$	
		3.0	3.0	2.85	2.56	2.46			
		3.0	3.0	2.65	2.35	2.25			
		3.0	4.5	4.25	3.86	3.76			
$V_{OLA}$	Maximum LOW Level Output Voltage	3.0	3.0	0.002	0.1	0.1	V	$I_{OUT} = 100 \mu A$ $I_{OL} = 24 \text{ mA}$ $I_{OL} = 12 \text{ mA}$ $I_{OL} = 24 \text{ mA}$	
		3.0	3.0	0.21	0.36	0.44			
		2.7	3.0	0.11	0.36	0.44			
		2.7	4.5	0.22	0.42	0.5			
$V_{OLB}$		3.0	3.0	0.002	0.1	0.1	V	$I_{OUT} = 100 \mu A$ $I_{OL} = 24 \text{ mA}$ $I_{OL} = 24 \text{ mA}$	
		3.0	3.0	0.21	0.36	0.44			
		3.0	4.5	0.18	0.36	0.44			
$I_{IN}$	Maximum Input Leakage Current @ $\overline{OE}, T/\overline{R}$	3.6	3.6		±0.1	±1.0	μA	$V_I = V_{CCA}, \text{GND}$	
		3.6	5.5		±0.1	±1.0			

## DC Electrical Characteristics (Continued)

Symbol	Parameter	V <sub>CCA</sub> (V)	V <sub>CCB</sub> (V)	T <sub>A</sub> = 25°C		T <sub>A</sub> = -40°C to +85°C		Units	Conditions
				Typ	Guaranteed Limits				
I <sub>OZA</sub>	Maximum 3-STATE Output Leakage @ A <sub>n</sub>	3.6	3.6		±0.5	±5.0	μA	V <sub>I</sub> = V <sub>IL</sub> , V <sub>IH</sub> , OE = V <sub>CCA</sub> V <sub>O</sub> = V <sub>CCA</sub> , GND	
		3.6	5.5		±0.5	±5.0			
I <sub>OZB</sub>	Maximum 3-STATE Output Leakage @ B <sub>n</sub>	3.6	3.6		±0.5	±5.0	μA	V <sub>I</sub> = V <sub>IL</sub> , V <sub>IH</sub> , OE = V <sub>CCA</sub> V <sub>O</sub> = V <sub>CCB</sub> , GND	
		3.6	5.5		±0.5	±5.0			
ΔI <sub>CC</sub>	Maximum I <sub>CC</sub> /Input	B <sub>n</sub>	3.6	5.5	1.0	1.35	mA	V <sub>I</sub> = V <sub>CCB</sub> - 2.1V V <sub>I</sub> = V <sub>CC</sub> - 0.6V	
		All Inputs	3.6	3.6		0.35			0.5
I <sub>CCA1</sub>	Quiescent V <sub>CCA</sub> Supply Current as B Port Floats	3.6	Open		5	50	μA	A <sub>n</sub> = V <sub>CCA</sub> or GND B <sub>n</sub> = Open, OE = V <sub>CCA</sub> , T/R = V <sub>CCA</sub> , V <sub>CCB</sub> = Open	
I <sub>CCA2</sub>	Quiescent V <sub>CCA</sub> Supply Current	3.6	3.6		5	50	μA	A <sub>n</sub> = V <sub>CCA</sub> or GND, B <sub>n</sub> = V <sub>CCB</sub> or GND, OE = GND, T/R = GND	
		3.6	5.5		5	50			
I <sub>CCB</sub>	Quiescent V <sub>CCB</sub> Supply Current	3.6	3.6		5	50	μA	A <sub>n</sub> = V <sub>CCA</sub> or GND, B <sub>n</sub> = V <sub>CCB</sub> or GND, OE = GND, T/R = V <sub>CCA</sub>	
		3.6	5.5		8	80			
V <sub>OLPA</sub>	Quiet Output Maximum Dynamic	3.3	3.3		0.8		V	(Note 3)(Note 4)	
V <sub>OLPB</sub>	V <sub>OL</sub>	3.3	3.3		0.8		V	(Note 3)(Note 4)	
		3.3	5.0		1.5				
V <sub>OLVA</sub>	Quiet Output Minimum Dynamic	3.3	3.3		-0.8		V	(Note 3)(Note 4)	
		3.3	5.0		-0.8				
V <sub>OLVB</sub>	V <sub>OL</sub>	3.3	3.3		-0.8		V	(Note 3)(Note 4)	
		3.3	5.0		-1.2				
V <sub>IHDA</sub>	Minimum HIGH Level Dynamic	3.3	3.3		2.0		V	(Note 3)(Note 5)	
		3.3	5.0		2.0				
V <sub>IHDB</sub>	Input Voltage	3.3	3.3		2.0		V	(Note 3)(Note 5)	
		3.3	5.0		3.5				
V <sub>ILDA</sub>	Maximum LOW Level Dynamic	3.3	3.3		0.8		V	(Note 3)(Note 5)	
		3.3	5.0		0.8				
V <sub>ILDB</sub>	Input Voltage	3.3	3.3		0.8		V	(Note 3)(Note 5)	
		3.3	5.0		1.5				

**Note 3:** Worst case package.

**Note 4:** Max number of outputs defined as (n). Data inputs are driven 0V to V<sub>CC</sub> level; one output at GND.

**Note 5:** Max number of Data Inputs (n) switching. (n-1) inputs switching 0V to V<sub>CC</sub> level. Input-under-test switching: V<sub>CC</sub> level to threshold (V<sub>IH</sub>), 0V to threshold (V<sub>IL</sub>), f = 1 MHz.

AC Electrical Characteristics												
Symbol	Parameter	T <sub>A</sub> = +25°C C <sub>L</sub> = 50 pF V <sub>CCA</sub> = 2.7V–3.6V V <sub>CCB</sub> = 4.5V–5.5V			T <sub>A</sub> = –40°C to +85°C C <sub>L</sub> = 50 pF V <sub>CCA</sub> = 2.7V–3.6V V <sub>CCB</sub> = 4.5V–5.5V		T <sub>A</sub> = +25°C C <sub>L</sub> = 50 pF V <sub>CCA</sub> = 2.7V–3.6V V <sub>CCB</sub> = 3.0V–3.6V			T <sub>A</sub> = –40°C to +85°C C <sub>L</sub> = 50 pF V <sub>CCA</sub> = 2.7V–3.6V V <sub>CCB</sub> = 3.0V–3.6V		Units
		Min	Typ (Note 6)	Max	Min	Max	Min	Typ (Note 7)	Max	Min	Max	
t <sub>PHL</sub>	Propagation Delay	1.0	4.8	8.0	1.0	8.5	1.0	5.5	8.5	1.0	9.0	ns
t <sub>PLH</sub>	A to B	1.0	3.9	6.5	1.0	7.0	1.0	5.2	8.0	1.0	8.5	
t <sub>PHL</sub>	Propagation Delay	1.0	3.8	6.5	1.0	7.0	1.0	4.4	7.0	1.0	7.5	ns
t <sub>PLH</sub>	B to A	1.0	4.3	7.5	1.0	8.0	1.0	5.1	7.5	1.0	8.0	
t <sub>PZL</sub>	Output Enable Time	1.0	4.7	8.0	1.0	8.5	1.0	6.0	9.0	1.0	9.5	ns
t <sub>PZH</sub>	$\overline{\text{OE}}$ to B	1.0	4.8	8.5	1.0	9.0	1.0	6.1	9.5	1.0	10.0	
t <sub>PZL</sub>	Output Enable Time	1.0	5.9	9.5	1.0	10.0	1.0	6.4	10.0	1.0	10.5	ns
t <sub>PZH</sub>	$\overline{\text{OE}}$ to A	1.0	5.4	9.0	1.0	9.5	1.0	5.8	9.0	1.0	9.5	
t <sub>PHZ</sub>	Output Disable Time	1.0	4.0	8.0	1.0	8.5	1.0	6.3	9.5	1.0	10.0	ns
t <sub>PLZ</sub>	$\overline{\text{OE}}$ to B	1.0	3.8	7.5	1.0	8.0	1.0	4.5	8.0	1.0	8.5	
t <sub>PHZ</sub>	Output Disable Time	1.0	4.6	9.5	1.0	10.0	1.0	5.2	9.5	1.0	10.0	ns
t <sub>PLZ</sub>	$\overline{\text{OE}}$ to A	1.0	3.1	6.5	1.0	7.0	1.0	3.4	6.5	1.0	7.0	
t <sub>OSSL</sub>	Output to Output											ns
t <sub>OSLH</sub>	Skew (Note 8) Data to Output		1.0	1.5		1.5		1.0	1.5		1.5	

**Note 6:** Typical values at V<sub>CCA</sub> = 3.3V, V<sub>CCB</sub> = 5.0V @ 25°C.

**Note 7:** Typical values at V<sub>CCA</sub> = 3.3V, V<sub>CCB</sub> = 3.3V @ 25°C.

**Note 8:** Skew is defined as the absolute value of the difference between the actual propagation delay for any two separate outputs of the same device. The specification applies to any outputs switching in the same direction, either HIGH-to-LOW (t<sub>OSSL</sub>) or LOW-to-HIGH (t<sub>OSLH</sub>). Parameter guaranteed by design.

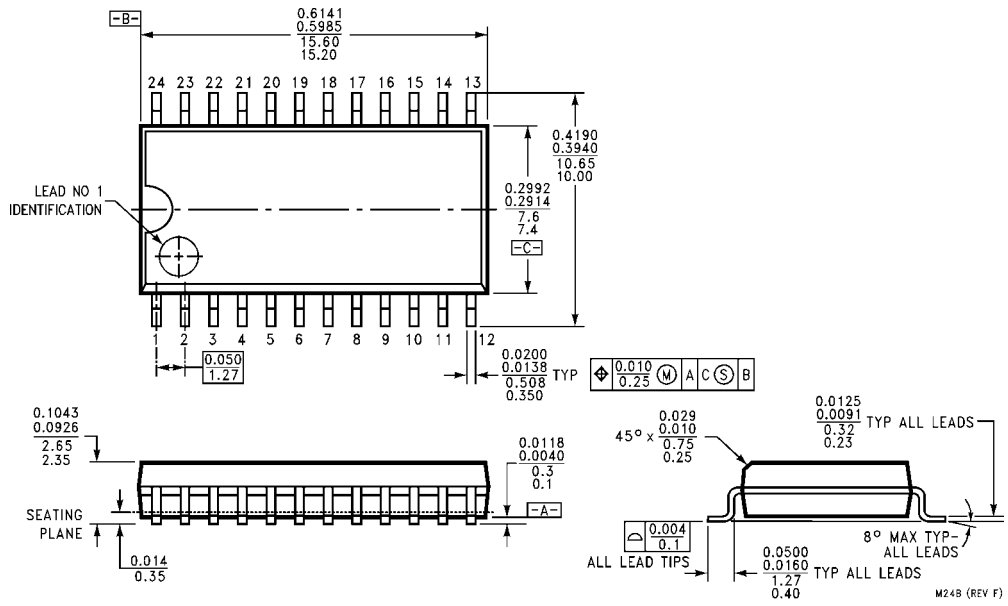
### Capacitance

Symbol	Parameter	Typ	Units	Conditions	
C <sub>IN</sub>	Input Capacitance	4.5	pF	V <sub>CC</sub> = Open	
C <sub>I/O</sub>	Input/Output Capacitance	10	pF	V <sub>CCA</sub> = 3.3V V <sub>CCB</sub> = 5.0V	
C <sub>PD</sub>	Power Dissipation Capacitance (Note 9)	A→B	50	pF	V <sub>CCB</sub> = 5.0V
		B→A	40	pF	V <sub>CCA</sub> = 3.3V

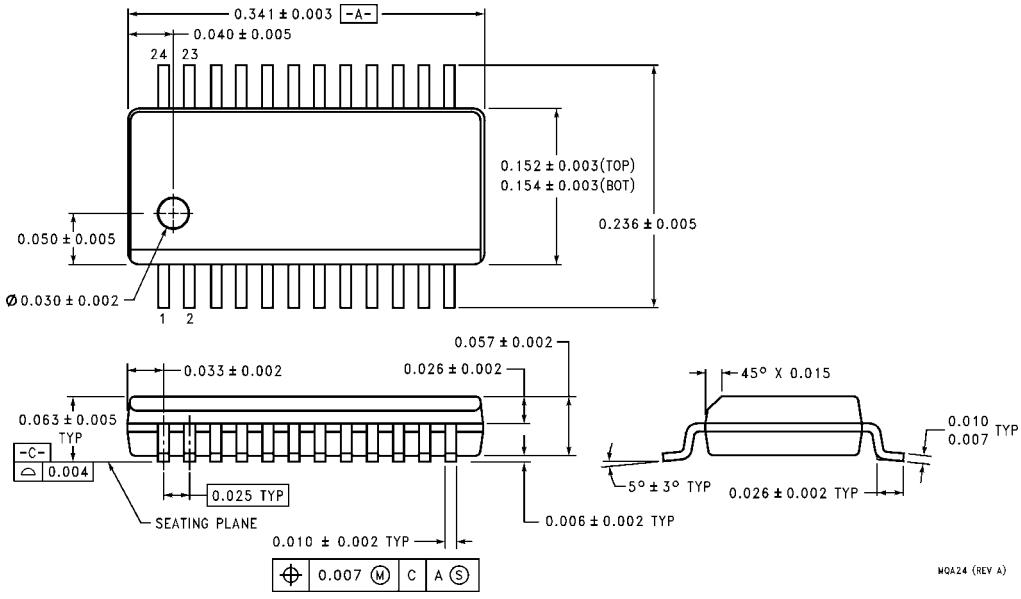
**Note 9:** C<sub>PD</sub> is measured at 10 MHz.



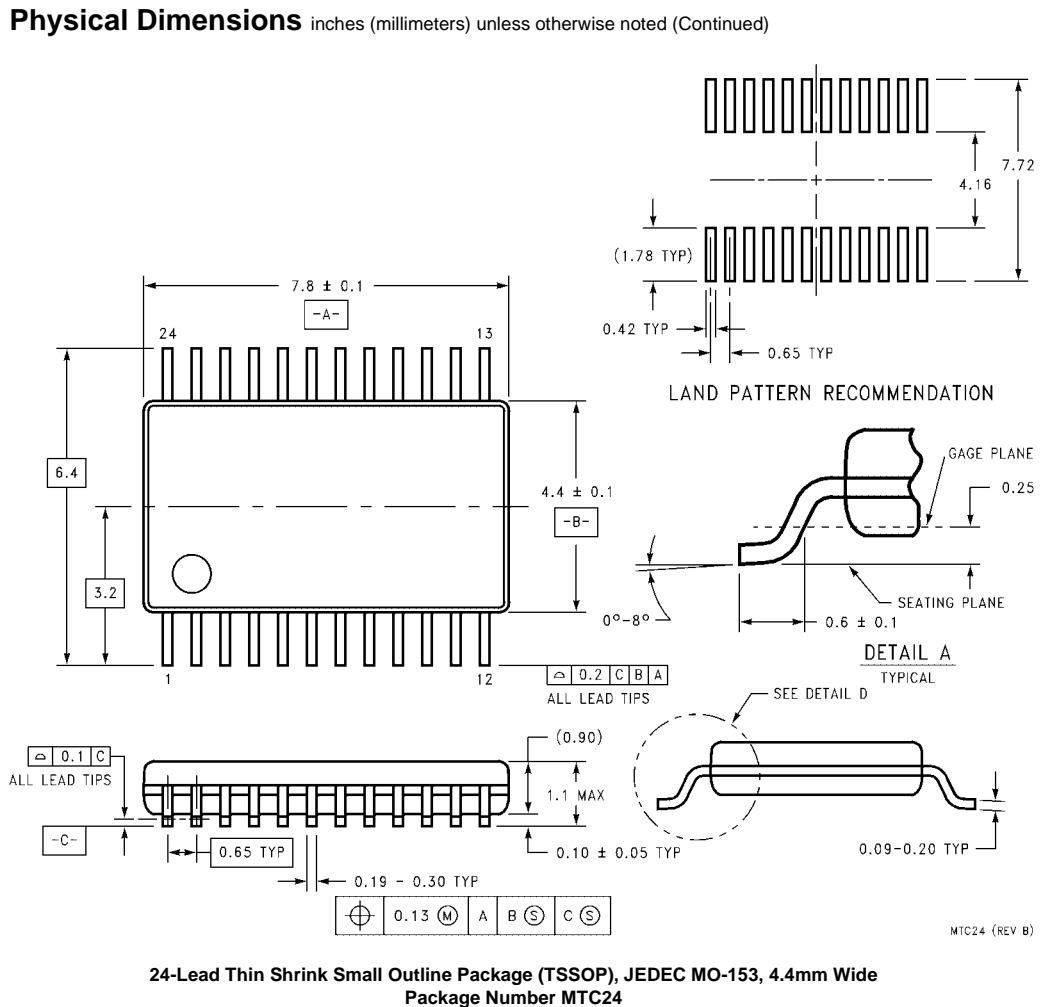
**Physical Dimensions** inches (millimeters) unless otherwise noted



**24-Lead Small Outline Integrated Circuit (SOIC), JEDEC MS-013, 0.300" Wide  
Package Number M24B**



**24-Lead Quarter Size Outline Package (QSOP), JEDEC MO-137, 0.150" Wide  
Package Number MQA24**



Fairchild does not assume any responsibility for use of any circuitry described, no circuit patent licenses are implied and Fairchild reserves the right at any time without notice to change said circuitry and specifications.

**LIFE SUPPORT POLICY**

FAIRCHILD'S PRODUCTS ARE NOT AUTHORIZED FOR USE AS CRITICAL COMPONENTS IN LIFE SUPPORT DEVICES OR SYSTEMS WITHOUT THE EXPRESS WRITTEN APPROVAL OF THE PRESIDENT OF FAIRCHILD SEMICONDUCTOR CORPORATION. As used herein:

1. Life support devices or systems are devices or systems which, (a) are intended for surgical implant into the body, or (b) support or sustain life, and (c) whose failure to perform when properly used in accordance with instructions for use provided in the labeling, can be reasonably expected to result in a significant injury to the user.
2. A critical component in any component of a life support device or system whose failure to perform can be reasonably expected to cause the failure of the life support device or system, or to affect its safety or effectiveness.

[www.fairchildsemi.com](http://www.fairchildsemi.com)





**TRADEMARKS**

The following includes registered and unregistered trademarks and service marks, owned by Fairchild Semiconductor and/or its global subsidiaries, and is not intended to be an exhaustive list of all such trademarks.

- |                          |                                     |                                       |  |
|--------------------------|-------------------------------------|---------------------------------------|--|
| Build it Now™            | FRFET®                              | Programmable Active Droop™            | <p>TinyBoost™<br/>         TinyBuck™<br/>         TinyLogic®<br/>         TINYOPTO™<br/>         TinyPower™<br/>         TinyPWM™<br/>         TinyWire™<br/>         TriFault Detect™<br/>         µSerDes™<br/> <br/>         UHC®<br/>         Ultra FRFET™<br/>         UniFET™<br/>         VCX™<br/>         VisualMax™<br/>         XS™</p> |
| CorePLUS™                | Global Power Resource <sup>SM</sup> | OFET®                                 |  |
| CorePOWER™               | Green FPST™                         | Q5™                                   |  |
| CROSSVOLT™               | Green FPST™ e-Series™               | Quiet Series™                         |  |
| CTL™                     | GTO™                                | RapidConfigure™                       |  |
| Current Transfer Logic™  | IntelliMAX™                         | ™                                     |  |
| EcoSPARK®                | ISOPLANAR™                          | Saving our world, 1mW/W@kW at a time™ |  |
| EfficientMax™            | MegaBuck™                           | SmartMax™                             |  |
| EZSWITCH™*               | MICROCOUPLER™                       | SMART START™                          |  |
| ™                        | MicroFET™                           | SPM®                                  |  |
| ™                        | MicroPak™                           | STEALTH™                              |  |
| Fairchild®               | MillerDrive™                        | SuperFET™                             |  |
| Fairchild Semiconductor® | MotionMax™                          | SuperSOT™-3                           |  |
| FACT Quiet Series™       | Motion-SPM™                         | SuperSOT™-6                           |  |
| FACT™                    | OPTOLOGIC®                          | SuperSOT™-8                           |  |
| FAST®                    | OPTOPLANAR®                         | SupreMOS™                             |  |
| FastvCore™               |                                     | SyncFET™                              |  |
| FlashWriter®*            | PDP SPM™                            | ™                                     |  |
| FPS™                     | Power-SPM™                          | The Power Franchise®                  |  |
| F-PFS™                   | PowerTrench®                        |                                       |  |
|                          | PowerXS™                            |                                       |  |

\* EZSWITCH™ and FlashWriter® are trademarks of System General Corporation, used under license by Fairchild Semiconductor.

**DISCLAIMER**

FAIRCHILD SEMICONDUCTOR RESERVES THE RIGHT TO MAKE CHANGES WITHOUT FURTHER NOTICE TO ANY PRODUCTS HEREIN TO IMPROVE RELIABILITY, FUNCTION, OR DESIGN. FAIRCHILD DOES NOT ASSUME ANY LIABILITY ARISING OUT OF THE APPLICATION OR USE OF ANY PRODUCT OR CIRCUIT DESCRIBED HEREIN; NEITHER DOES IT CONVEY ANY LICENSE UNDER ITS PATENT RIGHTS, NOR THE RIGHTS OF OTHERS. THESE SPECIFICATIONS DO NOT EXPAND THE TERMS OF FAIRCHILD'S WORLDWIDE TERMS AND CONDITIONS, SPECIFICALLY THE WARRANTY THEREIN, WHICH COVERS THESE PRODUCTS.

**LIFE SUPPORT POLICY**

FAIRCHILD'S PRODUCTS ARE NOT AUTHORIZED FOR USE AS CRITICAL COMPONENTS IN LIFE SUPPORT DEVICES OR SYSTEMS WITHOUT THE EXPRESS WRITTEN APPROVAL OF FAIRCHILD SEMICONDUCTOR CORPORATION.

As used herein:

1. Life support devices or systems are devices or systems which, (a) are intended for surgical implant into the body or (b) support or sustain life, and (c) whose failure to perform when properly used in accordance with instructions for use provided in the labeling, can be reasonably expected to result in a significant injury of the user.
2. A critical component in any component of a life support, device, or system whose failure to perform can be reasonably expected to cause the failure of the life support device or system, or to affect its safety or effectiveness.

**ANTI-COUNTERFEITING POLICY**

Fairchild Semiconductor Corporation's Anti-Counterfeiting Policy. Fairchild's Anti-Counterfeiting Policy is also stated on our external website, [www.fairchildsemi.com](http://www.fairchildsemi.com), under Sales Support.

Counterfeiting of semiconductor parts is a growing problem in the industry. All manufacturers of semiconductor products are experiencing counterfeiting of their parts. Customers who inadvertently purchase counterfeit parts experience many problems such as loss of brand reputation, substandard performance, failed applications, and increased cost of production and manufacturing delays. Fairchild is taking strong measures to protect ourselves and our customers from the proliferation of counterfeit parts. Fairchild strongly encourages customers to purchase Fairchild parts either directly from Fairchild or from Authorized Fairchild Distributors who are listed by country on our web page cited above. Products customers buy either from Fairchild directly or from Authorized Fairchild Distributors are genuine parts, have full traceability, meet Fairchild's quality standards for handling and storage and provide access to Fairchild's full range of up-to-date technical and product information. Fairchild and our Authorized Distributors will stand behind all warranties and will appropriately address any warranty issues that may arise. Fairchild will not provide any warranty coverage or other assistance for parts bought from Unauthorized Sources. Fairchild is committed to combat this global problem and encourage our customers to do their part in stopping this practice by buying direct or from authorized distributors.

**PRODUCT STATUS DEFINITIONS**

**Definition of Terms**

Datasheet Identification	Product Status	Definition
Advance Information	Formative / In Design	Datasheet contains the design specifications for product development. Specifications may change in any manner without notice.
Preliminary	First Production	Datasheet contains preliminary data; supplementary data will be published at a later date. Fairchild Semiconductor reserves the right to make changes at any time without notice to improve design.
No Identification Needed	Full Production	Datasheet contains final specifications. Fairchild Semiconductor reserves the right to make changes at any time without notice to improve the design.
Obsolete	Not In Production	Datasheet contains specifications on a product that is discontinued by Fairchild Semiconductor. The datasheet is for reference information only.

Rev. 138