

## 74LVXC4245

### 8-Bit Dual Supply Configurable Voltage Interface Transceiver with 3-STATE Outputs

#### General Description

The LVXC4245 is a 24-pin dual-supply, 8-bit configurable voltage interface transceiver suited for PCMCIA and other real time configurable I/O applications. The  $V_{CCA}$  pin accepts a 5V supply level. The "A" Port is a dedicated 5V port. The  $V_{CCB}$  pin accepts a 3V-to-5V supply level. The "B" Port is configured to track the  $V_{CCB}$  supply level respectively. A 5V level on the  $V_{CC}$  pin will configure the I/O pins at a 5V level and a 3V  $V_{CC}$  will configure the I/O pins at a 3V level. This device will allow the  $V_{CCB}$  voltage source pin and I/O pins on the "B" Port to float when  $\overline{OE}$  is HIGH. This feature is necessary to buffer data to and from a PCMCIA socket that permits PCMCIA cards to be inserted and removed during normal operation.

#### Features

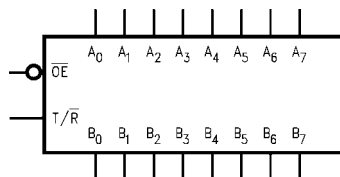
- Bidirectional interface between 5V and 3V-to-5V buses
- Control inputs compatible with TTL level
- Outputs source/sink up to 24 mA
- Guaranteed simultaneous switching noise level and dynamic threshold performance
- Implements patented EMI reduction circuitry
- Flexible  $V_{CCB}$  operating range
- Allows B Port and  $V_{CCB}$  to float simultaneously when  $\overline{OE}$  is HIGH
- Functionally compatible with the 74 series 245

#### Ordering Code:

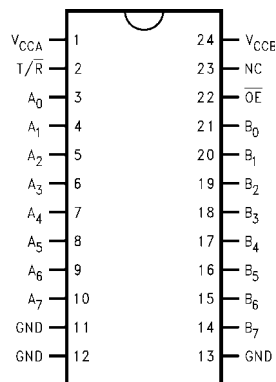
Order Number	Package Number	Package Description
74LVXC4245WM	M24B	24-Lead Small Outline Integrated Circuit (SOIC), JEDEC MS-013, 0.300" Wide
74LVXC4245QSC	MQA24	24-Lead Quarter Size Outline Package (QSOP), JEDEC MO-137, 0.150" Wide
74LVXC4245MTC	MTC24	24-Lead Thin Shrink Small Outline Package (TSSOP), JEDEC MO-153, 4.4mm Wide

Devices also available in Tape and Reel. Specify by appending the suffix letter "X" to the ordering code.

#### Logic Symbol



#### Connection Diagram



#### Pin Descriptions

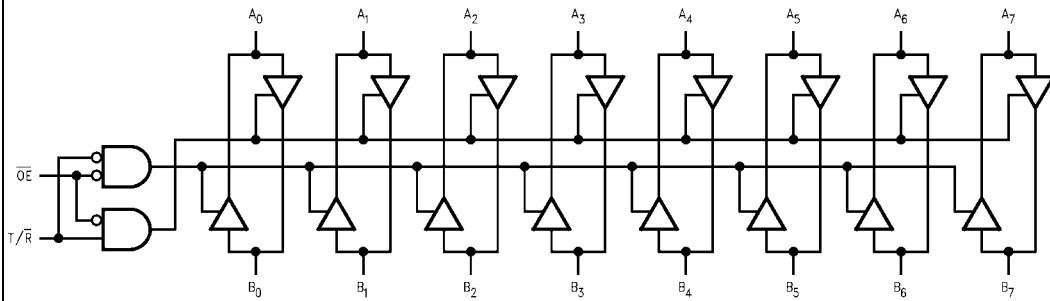
Pin Names	Description
$\overline{OE}$	Output Enable Input
$T/\overline{R}$	Transmit/Receive Input
$A_0$ - $A_7$	Side A Inputs or 3-STATE Outputs
$B_0$ - $B_7$	Side B Inputs or 3-STATE Outputs

**Truth Table**

Inputs		Outputs
$\overline{OE}$	$\overline{T/R}$	
L	L	Bus B Data to Bus A
L	H	Bus A Data to Bus B
H	X	HIGH-Z State

H = HIGH Voltage Level  
 L = LOW Voltage Level  
 X = Immaterial

**Logic Diagram**



Absolute Maximum Ratings (Note 1)			Recommended Operating Conditions (Note 2)				
Supply Voltage ( $V_{CCA}, V_{CCB}$ )		-0.5V to +7.0V	Supply Voltage $V_{CCA}$	4.5V to 5.5V			
DC Input Voltage ( $V_I$ ) @ $\overline{OE}$ , $T/\overline{R}$		-0.5V to $V_{CCA} + 0.5V$	$V_{CCB}$	2.7V to 5.5V			
DC Input/Output Voltage ( $V_{I/O}$ )			Input Voltage ( $V_I$ ) @ $\overline{OE}$ , $T/\overline{R}$	0V to $V_{CCA}$			
@ $A_n$		-0.5V to $V_{CCA} + 0.5V$	Input/Output Voltage ( $V_{I/O}$ )				
@ $B_n$		-0.5V to $V_{CCB} + 0.5V$	@ $A_n$	0V to $V_{CCA}$			
DC Input Diode Current ( $I_{IK}$ )			@ $B_n$	0V to $V_{CCB}$			
@ $\overline{OE}$ , $T/\overline{R}$		$\pm 20$ mA	Free Air Operating Temperature ( $T_A$ )	-40°C to +85°C			
DC Output Diode Current ( $I_{OK}$ )		$\pm 50$ mA	Minimum Input Edge Rate ( $\Delta V/\Delta t$ )	8 ns/V			
DC Output Source or Sink Current ( $I_O$ )		$\pm 50$ mA	$V_{IN}$ from 30% to 70% of $V_{CC}$				
DC $V_{CC}$ or Ground Current Per Output Pin ( $I_{CC}$ or $I_{GND}$ ) and Max Current		$\pm 200$ mA	$V_{CC}$ @ 3V, 4.5V, 5.5V				
Storage Temperature Range ( $T_{STG}$ )		-65°C to +150°C	<b>Note 1:</b> The "Absolute Maximum Ratings" are those values beyond which the safety of the device cannot be guaranteed. The device should not be operated at these limits. The parametric values defined in the Electrical Characteristics tables are not guaranteed at the absolute maximum ratings. The "Recommended Operating Conditions" table will define the conditions for actual device operation.				
DC Latch-Up Source or Sink Current		$\pm 300$ mA	<b>Note 2:</b> The A Port unused pins (inputs and I/O's) must be held HIGH or LOW. They may not float.				

### DC Electrical Characteristics

Symbol	Parameter	$V_{CCA}$ (V)	$V_{CCB}$ (V)	$T_A = +25^\circ\text{C}$		$T_A = -40^\circ\text{C to } +85^\circ\text{C}$		Units	Conditions
				Typ	Guaranteed Limits	Typ	Guaranteed Limits		
$V_{IHA}$	Minimum HIGH Level Input Voltage	$A_n$	4.5	2.7	2.0	2.0	V	$V_{OUT} \leq 0.1V$ or $\geq V_{CC} - 0.1V$	
		$\overline{OE}$	4.5	3.6	2.0	2.0			
		$T/\overline{R}$	5.5	5.5	2.0	2.0			
$V_{IHB}$		$B_n$	4.5	2.7	2.0	2.0	V		
			4.5	3.6	2.0	2.0			
			4.5	5.5	3.85	3.85			
$V_{ILA}$	Maximum LOW Level Input Voltage	$A_n$	4.5	2.7	0.8	0.8	V	$V_{OUT} \leq 0.1V$ or $\geq V_{CC} - 0.1V$	
		$\overline{OE}$	4.5	3.6	0.8	0.8			
		$T/\overline{R}$	5.5	5.5	0.8	0.8			
$V_{ILB}$		$B_n$	4.5	2.7	0.8	0.8	V		
			4.5	3.6	0.8	0.8			
			4.5	5.5	1.65	1.65			
$V_{OHA}$	Minimum HIGH Level Output Voltage	4.5	3.0	4.49	4.4	4.4	V	$I_{OUT} = -100 \mu A$ $I_{OH} = -24 \text{ mA}$	
		4.5	3.0	4.25	3.86	3.76			
$V_{OHB}$		4.5	3.0	2.99	2.9	2.9	V	$I_{OUT} = -100 \mu A$ $I_{OH} = -12 \text{ mA}$ $I_{OH} = -24 \text{ mA}$ $I_{OH} = -12 \text{ mA}$ $I_{OH} = -24 \text{ mA}$ $I_{OH} = -24 \text{ mA}$	
		4.5	3.0	2.85	2.56	2.46			
		4.5	3.0	2.65	2.35	2.25			
		4.5	2.7	2.5	2.3	2.2			
		4.5	2.7	2.3	2.1	2.0			
$V_{OLA}$	Maximum LOW Level Output Voltage	4.5	3.0	0.002	0.1	0.1	V	$I_{OUT} = 100 \mu A$ $I_{OL} = 24 \text{ mA}$	
		4.5	3.0	0.21	0.36	0.44			
$V_{OLB}$		4.5	3.0	0.002	0.1	0.1	V	$I_{OUT} = 100 \mu A$ $I_{OL} = 24 \text{ mA}$ $I_{OL} = 12 \text{ mA}$ $I_{OL} = 24 \text{ mA}$ $I_{OL} = 24 \text{ mA}$	
		4.5	3.0	0.21	0.36	0.44			
		4.5	2.7	0.11	0.36	0.44			
		4.5	2.7	0.22	0.42	0.5			
		4.5	4.5	0.18	0.36	0.44			
$I_{IN}$	Maximum Input Leakage Current @ $\overline{OE}$ , $T/\overline{R}$	5.5	3.6		$\pm 0.1$	$\pm 1.0$	$\mu A$	$V_I = V_{CCA}, \text{ GND}$	
		5.5	5.5		$\pm 0.1$	$\pm 1.0$			

DC Electrical Characteristics (Continued)									
Symbol	Parameter	V <sub>CCA</sub> (V)	V <sub>CCB</sub> (V)	T <sub>A</sub> = +25°C		T <sub>A</sub> = -40°C to +85°C		Units	Conditions
				Typ	Guaranteed Limits				
I <sub>OZA</sub>	Maximum 3-STATE Output Leakage @ A <sub>n</sub>	5.5	3.6		±0.5	±5.0	μA	V <sub>I</sub> = V <sub>IL</sub> , V <sub>IH</sub> , $\overline{OE}$ = V <sub>CCA</sub> V <sub>O</sub> = V <sub>CCA</sub> , GND	
		5.5	5.5		±0.5	±5.0			
I <sub>OZB</sub>	Maximum 3-STATE Output Leakage @ B <sub>n</sub>	5.5	3.6		±0.5	±5.0	μA	V <sub>I</sub> = V <sub>IL</sub> , V <sub>IH</sub> , $\overline{OE}$ = V <sub>CCA</sub> V <sub>O</sub> = V <sub>CCB</sub> , GND	
		5.5	5.5		±0.5	±5.0			
ΔI <sub>CC</sub>	Maximum I <sub>CC</sub> /Input	All Inputs	5.5	5.5	1.0	1.35	1.5	mA	V <sub>I</sub> = V <sub>CC</sub> - 2.1V
		B <sub>n</sub>	5.5	3.6		0.35	0.5	mA	V <sub>I</sub> = V <sub>CCB</sub> - 0.6V
I <sub>CCA1</sub>	Quiescent V <sub>CCA</sub> Supply Current as B Port Floats	5.5	Open		8	80	μA	A <sub>n</sub> = V <sub>CCA</sub> or GND B <sub>n</sub> = Open, $\overline{OE}$ = V <sub>CCA</sub> T/ $\overline{R}$ = V <sub>CCA</sub> , V <sub>CCB</sub> = Open	
I <sub>CCA2</sub>	Quiescent V <sub>CCA</sub> Supply Current	5.5	3.6		8	80	μA	A <sub>n</sub> = V <sub>CCA</sub> or GND B <sub>n</sub> = V <sub>CCB</sub> or GND $\overline{OE}$ = GND, T/ $\overline{R}$ = GND	
		5.5	5.5		8	80			
I <sub>CCB</sub>	Quiescent V <sub>CCB</sub> Supply Current	5.5	3.6		5	50	μA	A <sub>n</sub> = V <sub>CCA</sub> or GND B <sub>n</sub> = V <sub>CCB</sub> or GND $\overline{OE}$ = GND, T/ $\overline{R}$ = V <sub>CCA</sub>	
		5.5	5.5		8	80			
V <sub>OLPA</sub>	Quiet Output Maximum Dynamic	5.0	3.3		1.5		V	(Note 3) (Note 4)	
V <sub>OLPB</sub>	V <sub>OL</sub>	5.0	3.3		0.8		V	(Note 3) (Note 4)	
		5.0	5.0		1.5				
V <sub>OLVA</sub>	Quiet Output Minimum Dynamic V <sub>OL</sub>	5.0	3.3		-1.2		V	(Note 3) (Note 4)	
		5.0	5.0		-1.2				
V <sub>OLVB</sub>		5.0	3.3		-0.8		V	(Note 3) (Note 4)	
		5.0	5.0		-1.2				
V <sub>IHDA</sub>	Minimum HIGH Level Dynamic Input	5.0	3.3		2.0		V	(Note 3) (Note 5)	
		5.0	5.0		2.0				
V <sub>IHDB</sub>	Voltage	5.0	3.3		2.0		V	(Note 3) (Note 5)	
		5.0	5.0		3.5				
V <sub>ILDA</sub>	Maximum LOW Level Dynamic Input	5.0	3.3		0.8		V	(Note 3) (Note 5)	
		5.0	5.0		0.8				
V <sub>ILDB</sub>	Voltage	5.0	3.3		0.8		V	(Note 3) (Note 5)	
		5.0	5.0		1.5				

**Note 3:** Worst case package.

**Note 4:** Max number of outputs defined as (n). Data inputs are driven 0V to V<sub>CC</sub> level; one output at GND.

**Note 5:** Max number of Data Inputs (n) switching. (n-1) inputs switching 0V to V<sub>CC</sub> level. Input-under-test switching: V<sub>CC</sub> level to threshold (V<sub>IHD</sub>), 0V to threshold (V<sub>ILD</sub>), f = 1 MHz.

AC Electrical Characteristics												
Symbol	Parameter	$C_L = 50 \text{ pF}$ $V_{CCA} = 4.5\text{V to }5.5\text{V}$ $V_{CCB} = 4.5\text{V to }5.5\text{V}$					$C_L = 50 \text{ pF}$ $V_{CCA} = 4.5\text{V to }5.5\text{V}$ $V_{CCB} = 2.7\text{V to }3.6\text{V}$					Units
		$T_A = +25^\circ\text{C}$			$T_A = -40^\circ\text{C to }+85^\circ\text{C}$		$T_A = +25^\circ\text{C}$			$T_A = -40^\circ\text{C to }+85^\circ\text{C}$		
		Min	Typ (Note 6)	Max	Min	Max	Min	Typ (Note 7)	Max	Min	Max	
$t_{PHL}$	Propagation Delay A to B	1.0	4.9	6.5	1.0	7.0	1.0	5.5	7.5	1.0	8.0	ns
$t_{PLH}$	Propagation Delay B to A	1.0	4.7	6.5	1.0	7.0	1.0	5.6	7.5	1.0	8.0	
$t_{PZH}$	Output Enable Time $\overline{OE}$ to B	1.0	5.6	7.5	1.0	8.0	1.0	6.7	9.0	1.0	10.0	ns
$t_{PZH}$	Output Enable Time $\overline{OE}$ to A	1.0	5.7	7.5	1.0	8.0	1.0	6.9	9.5	1.0	10.0	
$t_{PHZ}$	Output Disable Time $\overline{OE}$ to B	1.0	4.8	7.0	1.0	7.5	1.0	6.0	9.0	1.0	9.5	ns
$t_{PLZ}$	Output Disable Time $\overline{OE}$ to A	1.0	3.8	5.5	1.0	6.0	1.0	4.2	6.5	1.0	7.0	
$t_{OSHL}$	Output to Output Skew (Note 8)		1.0	1.5		1.5		1.0	1.5		1.5	ns
$t_{OSLH}$	Data to Output											

**Note 6:** Typical values at  $V_{CCA} = 5\text{V}$ ,  $V_{CCB} = 5\text{V}$  @  $25^\circ\text{C}$ .

**Note 7:** Typical values at  $V_{CCA} = 5\text{V}$ ,  $V_{CCB} = 3.3\text{V}$  @  $25^\circ\text{C}$ .

**Note 8:** Skew is defined as the absolute value of the difference between the actual propagation delay for any two separate outputs of the same device. The specification applies to any outputs switching in the same direction, either HIGH-to-LOW ( $t_{OSHL}$ ) or LOW-to-HIGH ( $t_{OSLH}$ ). Parameter guaranteed by design.

### Capacitance

Symbol	Parameter	Typ	Units	Conditions	
$C_{IN}$	Input Capacitance	4.5	pF	$V_{CC} = \text{Open}$	
$C_{I/O}$	Input/Output Capacitance	10	pF	$V_{CCA} = 5\text{V}$ , $V_{CCB} = 3.3\text{V}$	
$C_{PD}$	Power Dissipation Capacitance (Note 9)	A→B	45	pF	$V_{CCA} = 5\text{V}$
		B→A	50	pF	$V_{CCB} = 3.3\text{V}$

**Note 9:**  $C_{PD}$  is measured at 10 MHz.

### Power Up Considerations

To insure the system does not experience unnecessary  $I_{CC}$  current draw, bus contention, or oscillations during power up, the following guidelines should be adhered to (refer to Table 1):

- Power up the control side of the device first. This is the  $V_{CCA}$ .
- $\overline{OE}$  should ramp with or ahead of  $V_{CCA}$ . This will help guard against bus contention.
- The Transmit/Receive control pin ( $T/\overline{R}$ ) should ramp with  $V_{CCA}$ , this will ensure that the A Port data pins are configured as inputs. With  $V_{CCA}$  receiving power first, the A I/O Port should be configured as inputs to help guard against bus contention and oscillations.
- A side data inputs should be driven to a valid logic level. This will prevent excessive current draw.

The above steps will ensure that no bus contention or oscillations, and therefore no excessive current draw occurs during the power up cycling of these devices. These steps will help prevent possible damage to the translator devices and potential damage to other system components.

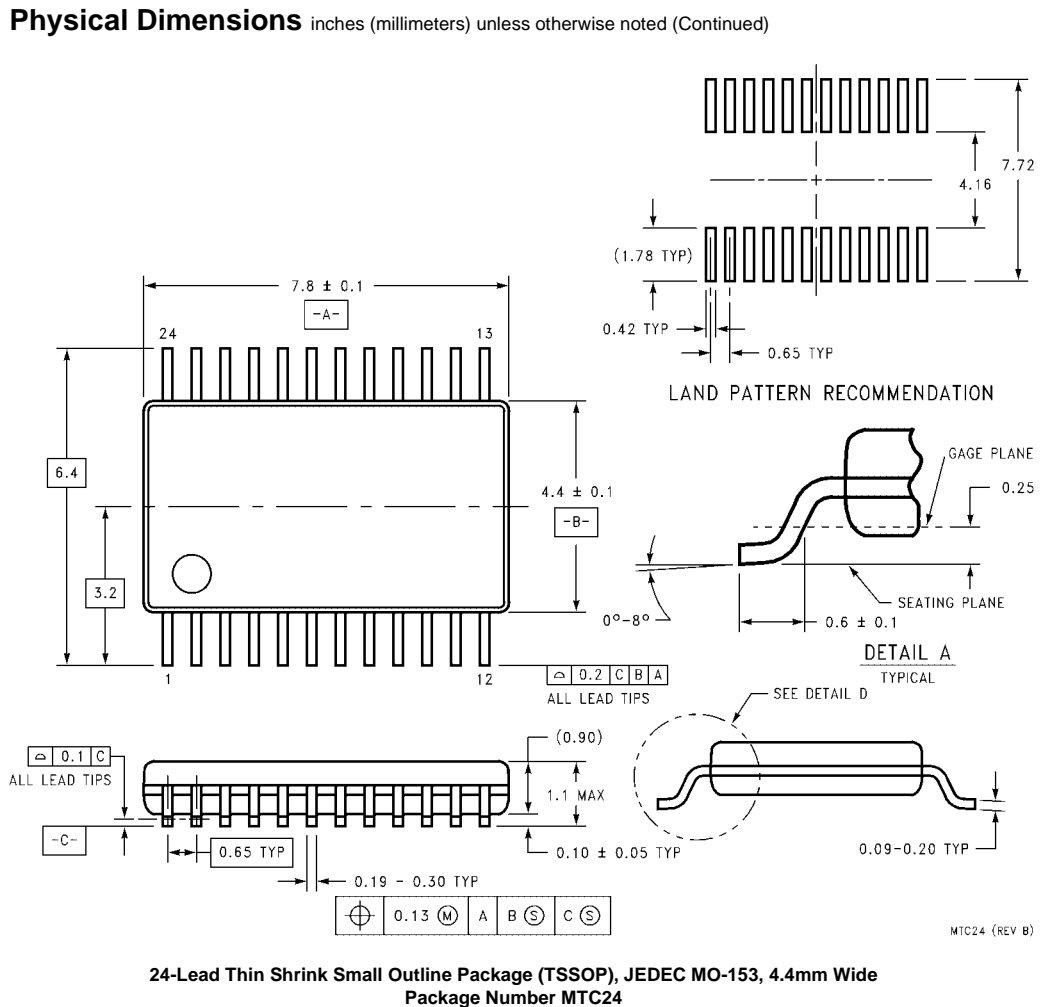
**TABLE 1. Low Voltage Translator Power Up Sequencing Table**

Device Type	$V_{CCA}$	$V_{CCB}$	$T/\overline{R}$	$\overline{OE}$	A Side I/O	B Side I/O	Floatable Pin Allowed
74LVXC4245	5V (power up 1st)	2.7V to 5.5V configurable	ramp with $V_{CCA}$	ramp with $V_{CCA}$	logic 0V or $V_{CCA}$	outputs	yes, $V_{CCB}$ and B I/O's w/ $\overline{OE}$ HIGH

Please reference Application Note AN-5001 for more detailed information on using Fairchild's LVX Low Voltage Dual Supply CMOS Translating Transceivers.







Fairchild does not assume any responsibility for use of any circuitry described, no circuit patent licenses are implied and Fairchild reserves the right at any time without notice to change said circuitry and specifications.

**LIFE SUPPORT POLICY**

FAIRCHILD'S PRODUCTS ARE NOT AUTHORIZED FOR USE AS CRITICAL COMPONENTS IN LIFE SUPPORT DEVICES OR SYSTEMS WITHOUT THE EXPRESS WRITTEN APPROVAL OF THE PRESIDENT OF FAIRCHILD SEMICONDUCTOR CORPORATION. As used herein:

1. Life support devices or systems are devices or systems which, (a) are intended for surgical implant into the body, or (b) support or sustain life, and (c) whose failure to perform when properly used in accordance with instructions for use provided in the labeling, can be reasonably expected to result in a significant injury to the user.
2. A critical component in any component of a life support device or system whose failure to perform can be reasonably expected to cause the failure of the life support device or system, or to affect its safety or effectiveness.

[www.fairchildsemi.com](http://www.fairchildsemi.com)