



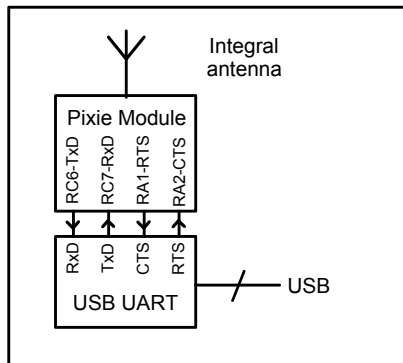
UZBee PlusTM

ZigBee / 2.4GHz IEEE 802.15.4 RF transceiver with USB interface

Summary

UZBee Plus is a Pixie / IEEE 802.15.4 radio with USB interface, housed in a 'dongle' style enclosure.

- Supports reduced and full function IEEE 802.15.4 and ZigBee operation.
- USB interface compatible with Windows, Linux, Mac OS and Windows CE (devices with host USB controllers only)
- 2.4GHz IEEE 802.15.4 RF module
- PIC18LF4620 microcontroller
- FCC / CE compliant
- Signature 'G' antenna, free-space range 120m, compact, low 'hand-effect' design
- 56mm x 20mm x 9mm



Device Drivers

UZBee Plus uses the FTDI VCP device drivers. These may be downloaded from here:

<http://www.ftdichip.com/Drivers/VCP.htm>



Firmware Options

The same firmware is used in UZBee-Plus as in the Pixie modules. A variety of firmware options are available:

- PixieMAC IEEE 802.15.4 transceiver / sniffer (loaded when shipped)
- Pixie Gateway sensor network port
- StarLite single-hop transparent communications

Refer to the firmware data sheets for specific details of operation.

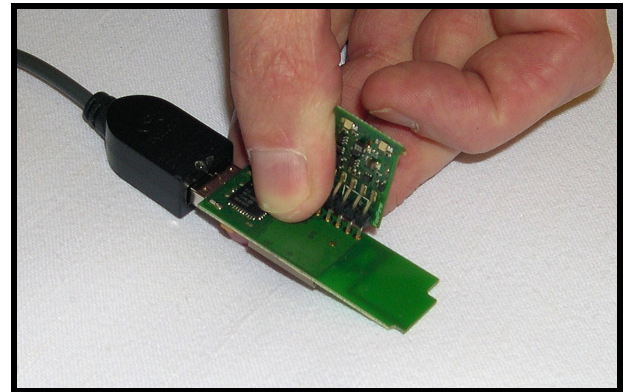
Programming

To program an UZBee Plus, you must first load the required firmware onto a TEAclipper, available from FlexiPanel Ltd and its distributors.

The UZBee Plus is programmed by plugging in a TEAclipper as shown in the photo. The UZBee Plus must be powered from a USB port at the time.

The TEAclipper should not be inserted too deeply, to avoid the contacts touching the screening can. The pins should be leaned against the holes so they make good electrical contact.

When inserted the LEDs will flash alternate during programming. The green LED will pulsate when programming is complete.



Ordering Information

Part No	Description
UZBEE-Plus	IEEE 802.15.4 radio with USB interface



Developed by:
FlexiPanel Ltd
2 Marshall St, 3rd Floor,
London W1F 9BB, United Kingdom
email: support@flexipanel.com
www.flexipanel.com



Manufactured by:
R F Solutions Ltd
Unit 21, Cliffe Industrial Estate,
Lewes, BN8 6JL, United Kingdom
email: sales@rfsolutions.co.uk
<http://www.rfsolutions.co.uk>
Tel: +44 (0)1273 898 000