

# Freescale Semiconductor Data Sheet: Technical Data

An Energy-Efficient Solution from Freescale

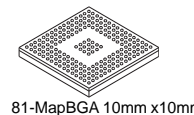
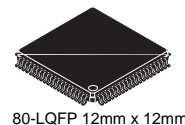
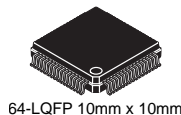
Document Number: MC9S08MM128

Rev. 3, 10/2010



## MC9S08MM128 series

Covers: MC9S08MM128, and MC9S08MM64, MC9S08MM32, and MC9S08MM32A



### 8-Bit HCS08 Central Processor Unit (CPU)

- Up to 48-MHz CPU above 2.4 V, 40 MHz CPU above 2.1 V, and 20 MHz CPU above 1.8 V across temperature of -40°C to 105°C
- HCS08 instruction set with added BGRND instruction
- Support for up to 33 interrupt/reset sources

### On-Chip Memory

- 128 K Dual Array Flash read/program/erase over full operating voltage and temperature
- 12 KB Random-access memory (RAM)
- Security circuitry to prevent unauthorized access to RAM and Flash

### Power-Saving Modes

- Two ultra-low power stop modes. Peripheral clock enable register can disable clocks to unused modules to reduce currents
- Time of Day (TOD) — Ultra-low power 1/4 sec counter with up to 64s timeout.
- Ultra-low power external oscillator that can be used in stop modes to provide accurate clock source to the TOD. 6 usec typical wake up time from stop3 mode

### Clock Source Options

- Oscillator (XOSC1) — Loop-control Pierce oscillator; 32.768 kHz crystal or ceramic resonator dedicated for TOD operation.
- Oscillator (XOSC2) — for high frequency crystal input for MCG reference to be used for system clock and USB operations.
- Multipurpose Clock Generator (MCG) — PLL and FLL; precision trimming of internal reference allows 0.2% resolution and 2% deviation over temperature and voltage; supports CPU frequencies from 4 kHz to 48 MHz.

### System Protection

- Watchdog computer operating properly (COP) reset Watchdog computer operating properly (COP) reset with option to run from dedicated 1-kHz internal clock source or bus clock
- Low-voltage detection with reset or interrupt; selectable trip points; separate low-voltage warning with optional interrupt; selectable trip points
- Illegal opcode and illegal address detection with reset
- Flash block protection for each array to prevent accidental write/erasure
- Hardware CRC to support fast cyclic redundancy checks

### Development Support

- Single-wire background debug interface
- Real-time debug with 6 hardware breakpoints (4 PC, 1 address and 1 data) Breakpoint capability to allow single breakpoint setting during in-circuit debugging
- On-chip in-circuit emulator (ICE) debug module containing 3 comparators and 9 trigger modes

### Peripherals

- **CMT**— Carrier Modulator timer for remote control communications. Carrier generator, modulator and driver for dedicated infrared out. Can be used as an output compare timer.
- **IIC**— Up to 100 kbps with maximum bus loading; Multi-master operation; Programmable slave address; Interrupt driven

- byte-by-byte data transfer; supports broadcast mode and 11-bit addressing
- **PRACMP** — Analog comparator with selectable interrupt; compare option to programmable internal reference voltage; operation in stop3
- **SCI** — Two serial communications interfaces with optional 13-bit break; option to connect Rx input to PRACMP output on SCI1 and SCI2; High current drive on Tx on SCI1 and SCI2; wake-up from stop3 on Rx edge
- **SPI1**— Serial peripheral interface (SPI) with 64-bit FIFO buffer; 16-bit or 8-bit data transfers; full-duplex or single-wire bidirectional; double-buffered transmit and receive; master or slave mode; MSB-first or LSB-first shifting
- **SPI2**— Serial peripheral interface with full-duplex or single-wire bidirectional; Double-buffered transmit and receive; Master or Slave mode; MSB-first or LSB-first shifting
- **TPM** — Two 4-channel Timer/PWM Module; Selectable input capture, output compare, or buffered edge- or center-aligned PWM on each channel; external clock input/pulse accumulator
- **USB** — Supports USB in full-speed device configuration. On-chip transceiver and 3.3V regulator help save system cost, fully compliant with USB Specification 2.0. Allows control, bulk, interrupt and isochronous transfers. Not available on MC9S08MM32A devices.
- **ADC16** — 16-bit Successive approximation ADC with up to 4 dedicated differential channels and 8 single-ended channels; range compare function; 1.7 mV/°C temperature sensor; internal bandgap reference channel; operation in stop3; fully functional from 3.6V to 1.8V, Configurable hardware trigger for 8 Channel select and result registers
- **PDB** — Programmable delay block with 16-bit counter and modulus and prescale to set reference clock to bus divided by 1 to bus divided by 2048; 8 trigger outputs for ADC16 module provides periodic coordination of ADC sampling sequence with sequence completion interrupt; Back-to-Back mode and Timed mode
- **DAC** — 12-bit resolution; 16-word data buffers with configurable watermark.
- **OPAMP** — Two flexible operational amplifiers configurable for general operations; Low offset and temperature drift.
- **TRIAMP** — Two trans-impedance amplifiers dedicated for converting current inputs into voltages.

### Input/Output

- Up to 47 GPIOs and 2 output-only pin and 1 input-only pin.
- Voltage Reference output (VREF0).
- Dedicated infrared output pin (IRO) with high current sink capability.
- Up to 16 KBI pins with selectable polarity.

### Package Options

- 81-MBGA 10x10 mm
- 80-LQFP 12x12 mm
- 64-LQFP 10x10 mm



# Contents

1 Devices in the MC9S08MM128 series . . . . .	3	2.10 MCG and External Oscillator (XOSC) Characteristics .33	
1.1 Pin Assignments . . . . .	6	2.11 AC Characteristics . . . . .	36
1.1.1 64-Pin LQFP . . . . .	6	2.11.1 Control Timing . . . . .	36
1.1.2 80-Pin LQFP . . . . .	8	2.11.2 TPM Timing . . . . .	38
1.1.3 81-Pin MAPBGA . . . . .	9	2.12 SPI Characteristics . . . . .	39
1.2 Pin Assignments by Packages . . . . .	10	2.13 Flash Specifications . . . . .	42
2 Electrical Characteristics . . . . .	13	2.14 USB Electricals . . . . .	43
2.1 Parameter Classification . . . . .	13	2.15 VREF Electrical Specifications . . . . .	44
2.2 Absolute Maximum Ratings . . . . .	14	2.16 TRIAMP Electrical Parameters . . . . .	46
2.3 Thermal Characteristics . . . . .	15	2.17 OPAMP Electrical Parameters . . . . .	47
2.4 ESD Protection Characteristics . . . . .	16	3 Ordering Information . . . . .	48
2.5 DC Characteristics . . . . .	17	3.1 Device Numbering System . . . . .	48
2.6 Supply Current Characteristics . . . . .	20	3.2 Package Information . . . . .	49
2.7 PRACMP Electricals . . . . .	23	3.3 Mechanical Drawings . . . . .	49
2.8 12-Bit DAC Electricals . . . . .	24	4 Revision History . . . . .	49
2.9 ADC Characteristics . . . . .	26		

## Related Documentation

Find the most current versions of all documents at: <http://www.freescale.com>.

### Reference Manual —MC9S08MM128RM

Contains extensive product information including modes of operation, memory, resets and interrupts, register definition, port pins, CPU, and all module information.

# 1 Devices in the MC9S08MM128 series

The following table summarizes the feature set available in the MC9S08MM128 series of MCUs.

**Table 1. MC9S08MM128 series Features by MCU and Package**

Feature	MC9S08MM128			MC9S08MM64	MC9S08MM32	MC9S08MM32A
	81	80	64			
Pin quantity	81	80	64	64	64	64
FLASH size (bytes)	131072			65535	32768	32768
RAM size (bytes)	12K			12K	4K	2K
Programmable Analog Comparator (PRACMP)	yes			yes	yes	yes
Debug Module (DBG)	yes			yes	yes	yes
Multipurpose Clock Generator (MCG)	yes			yes	yes	yes
Inter-Integrated Communication (IIC)	yes			yes	yes	yes
Interrupt Request Pin (IRQ)	yes			yes	yes	yes
Keyboard Interrupt (KBI)	16	16	6	6	6	6
Port I/O <sup>1</sup>	47	46	33	33	33	33
Dedicated Analog Input Pins	12			12	12	12
Power and Ground Pins	8			8	8	8
Time Of Day (TOD)	yes			yes	yes	yes
Serial Communications (SCI1)	yes			yes	yes	yes
Serial Communications (SCI2)	yes			yes	yes	yes
Serial Peripheral Interface 1 (SPI1 (FIFO))	yes			yes	yes	yes
Serial Peripheral Interface 2 (SPI2)	yes			yes	yes	yes
Carrier Modulator Timer pin (IRO)	yes			yes	yes	yes
TPM input clock pin (TPMCLK)	yes			yes	yes	yes
TPM1 channels	4			4	4	4
TPM2 channels	4	4	2	2	2	2
XOSC1	yes			yes	yes	yes
XOSC2	yes			yes	yes	yes
USB	yes			yes	yes	no
Programmable Delay Block (PDB)	yes			yes	yes	yes
SAR ADC differential channels <sup>2</sup>	4	4	3	3	3	3
SAR ADC single-ended channels	8	8	6	6	6	6
DAC output pin (DACO)	yes			yes	yes	yes
Voltage reference output pin (VREFO)	yes			yes	yes	yes
General Purpose OPAMP (OPAMP)	yes			yes	yes	yes
Trans-Impedance Amplifier (TRIAMP)	yes			yes	yes	yes

<sup>1</sup> Port I/O count does not include two (2) output-only and one (1) input-only pins.

<sup>2</sup> Each differential channel is comprised of 2 pin inputs.

A complete description of the modules included on each device is provided in the following table.

**Table 2. Versions of On-Chip Modules**

Module	Version
Analog-to-Digital Converter (ADC16)	1
General Purpose Operational Amplifier (OPAMP)	1
Trans-Impedance Operational Amplifier (TRIAMP)	1
Digital to Analog Converter (DAC)	1
Programmable Delay Block	1
Inter-Integrated Circuit (IIC)	3
Central Processing Unit (CPU)	5
On-Chip In-Circuit Debug/Emulator (DBG)	3
Multi-Purpose Clock Generator (MCG)	3
Low Power Oscillator (XOSCVLP)	1
Carrier Modulator Timer (CMT)	1
Programable Analog Comparator (PRACMP)	1
Serial Communications Interface (SCI)	4
Serial Peripheral Interface (SPI)	5
Time of Day (TOD)	1
Universal Serial Bus (USB) <sup>1</sup>	1
Timer Pulse-Width Modulator (TPM)	3
System Integration Module (SIM)	1
Cyclic Redundancy Check (CRC)	3
Keyboard Interrupt (KBI)	2
Voltage Reference (VREF)	1
Voltage Regulator (VREG)	1
Interrupt Request (IRQ)	3
Flash Wrapper	1
GPIO	2
Port Control	1

<sup>1</sup> USB Module not available on MC9S08MM32A devices.

The block diagram in [Figure 1](#) shows the structure of the MC9S08MM128 series MCU.

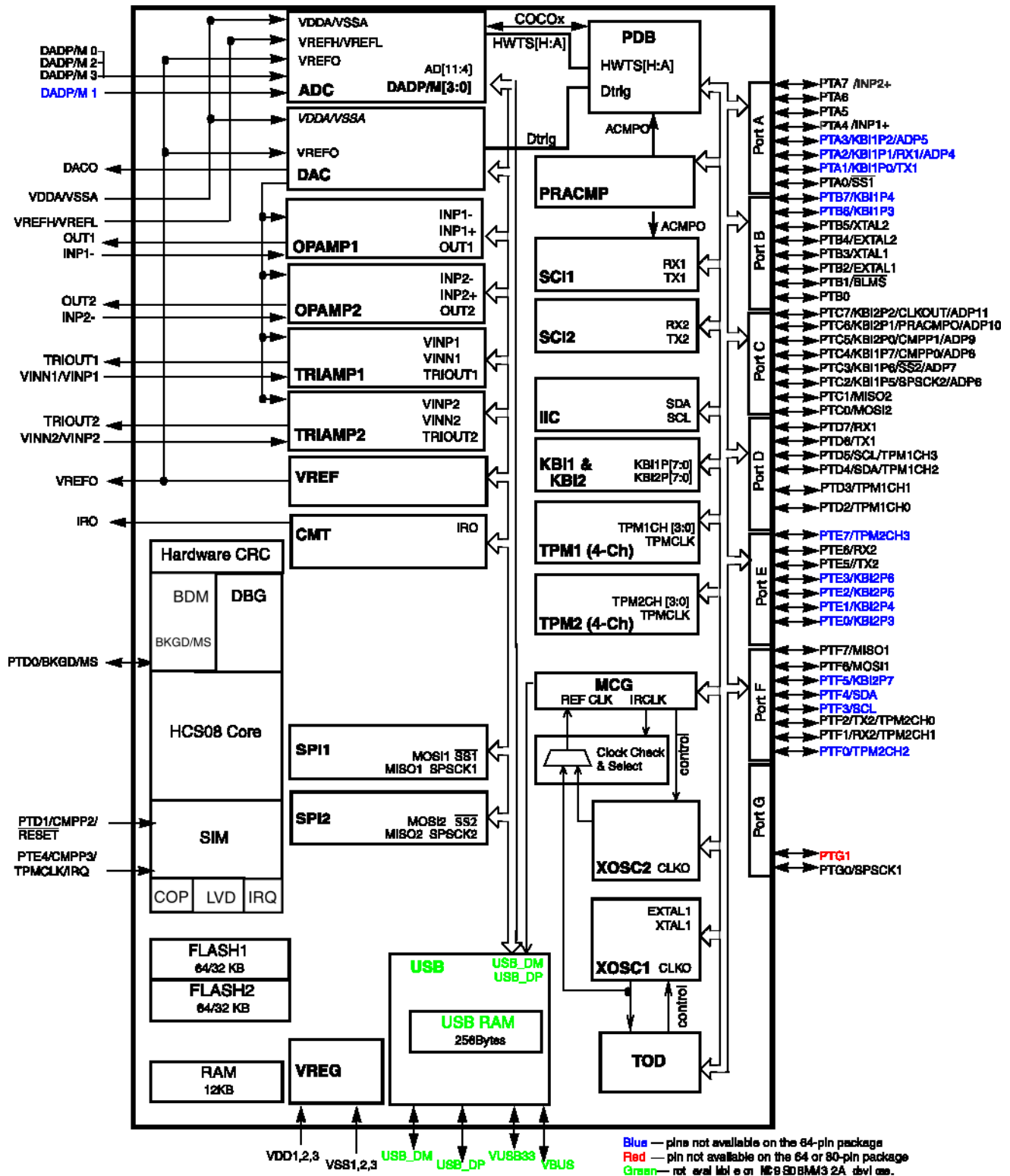


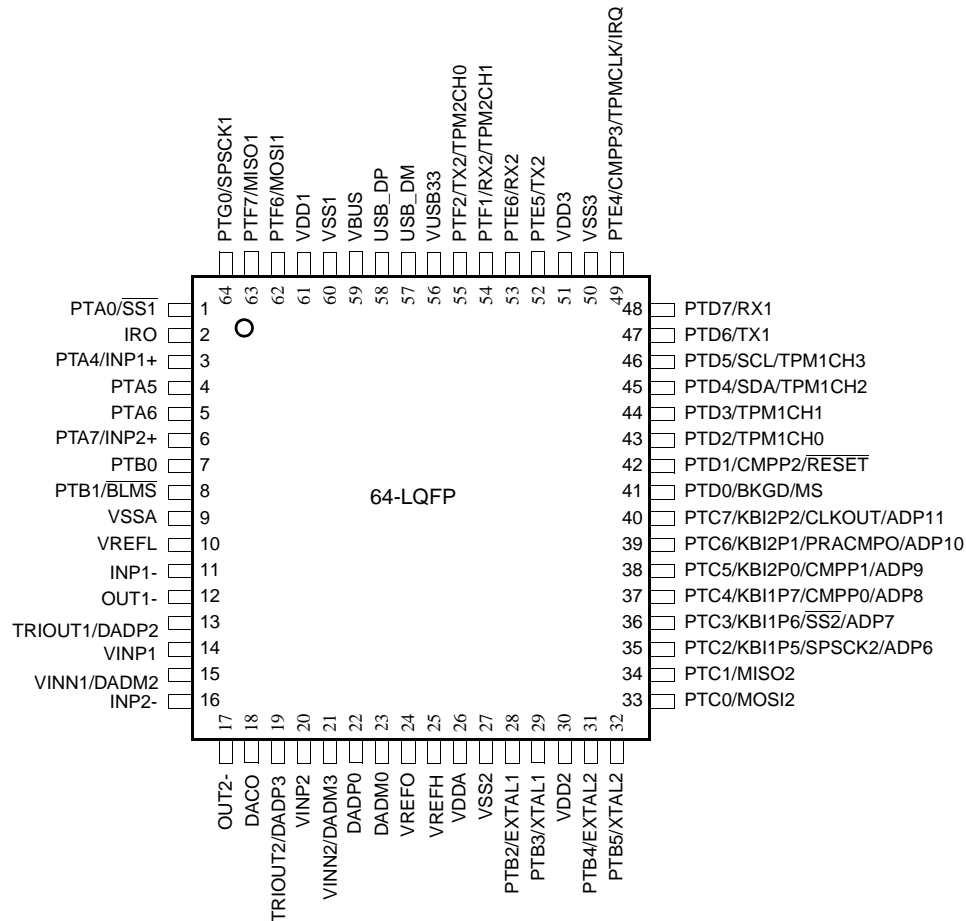
Figure 1. MC9S08MM128 series Block Diagram

# 1.1 Pin Assignments

This section shows the pin assignments for the MC9S08MM128 series devices.

## 1.1.1 64-Pin LQFP

The following two figures show the 64-pin LQFP pinout configuration. The first illustrates the pinout configuration for MC9S08MM128, MC9S08MM64, and MC9S08MM32 devices.



**Figure 2. 64-Pin LQFP for MC9S08MM128, MC9S08MM64, and MC9S08MM32 devices**

For MC9S08MM32A devices, pins 56, 57, 58, and 59 are no connects (NC) as illustrated in the following figure.

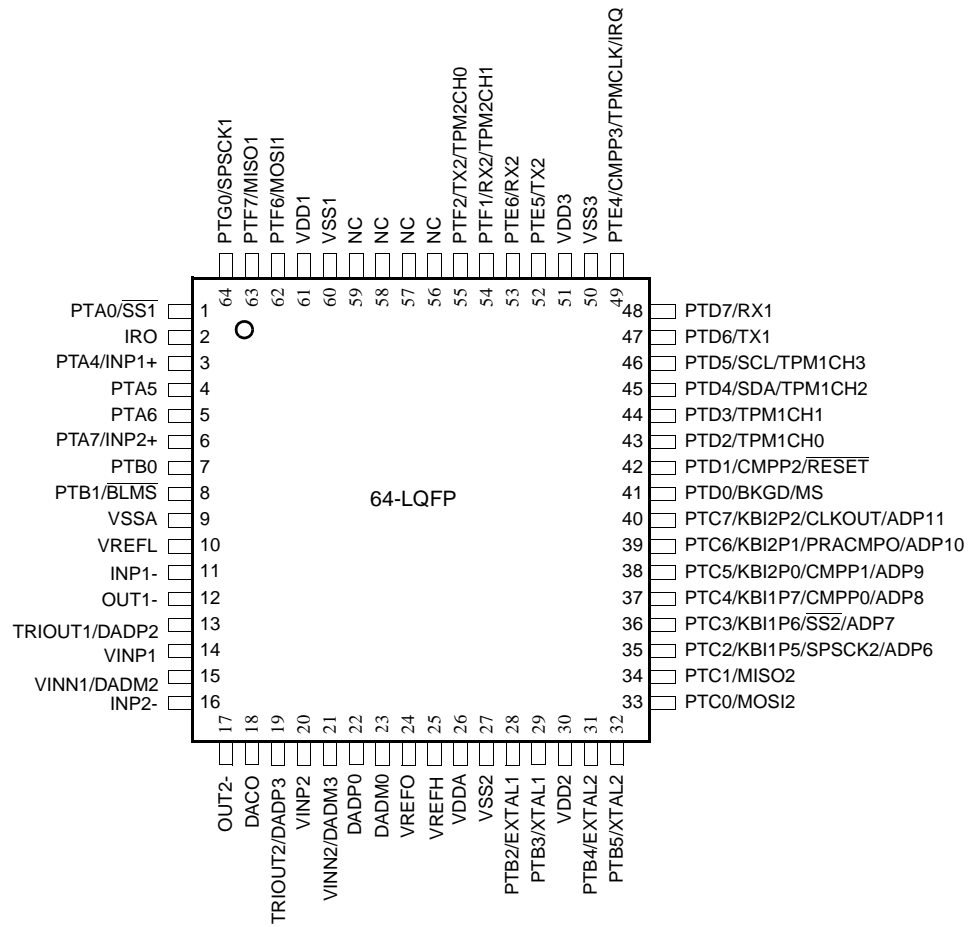


Figure 3. 64-Pin LQFP for MC9S08MM32A devices

### 1.1.2 80-Pin LQFP

The following figure shows the 80-pin LQFP pinout configuration.

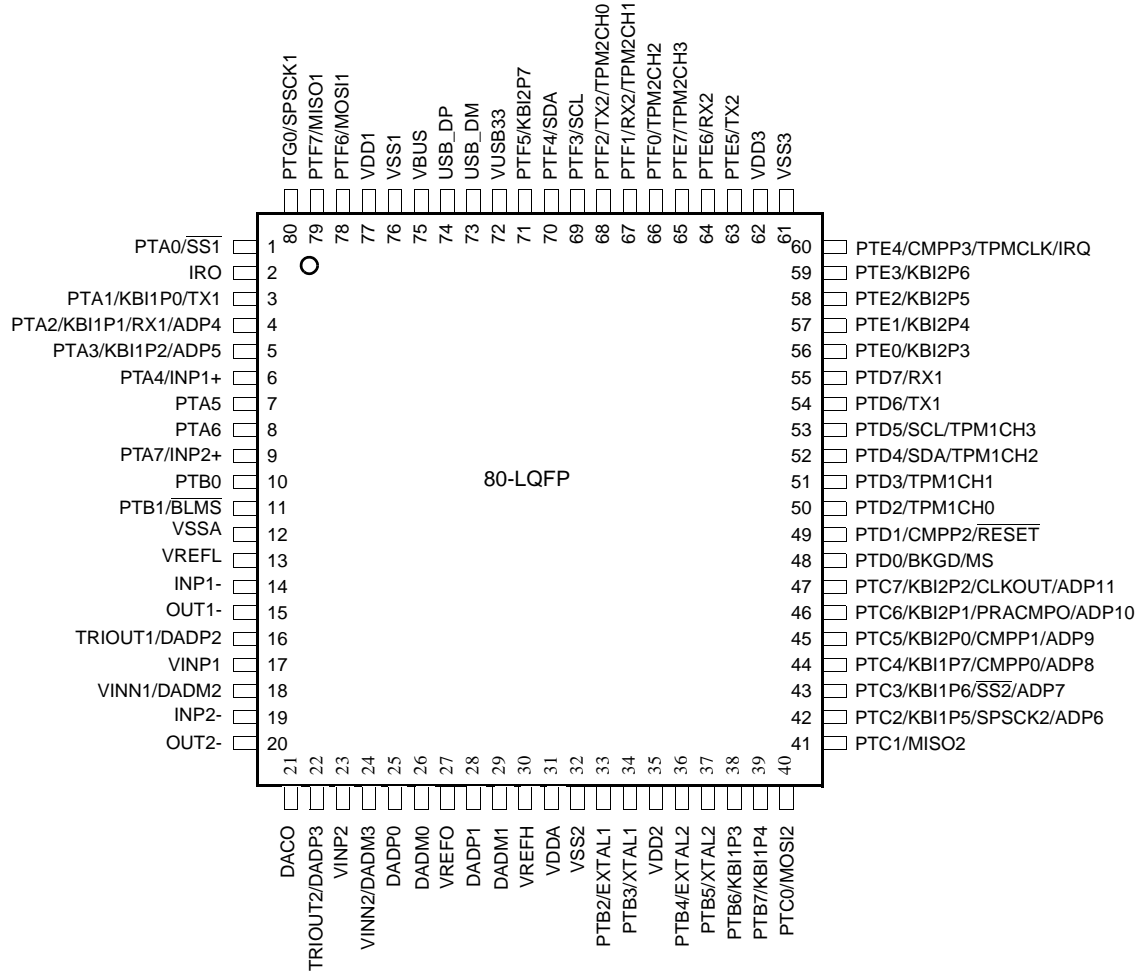


Figure 4. 80-Pin LQFP



### 1.1.3 81-Pin MAPBGA

The following figure shows the 81-pin MAPBGA pinout configuration.

	1	2	3	4	5	6	7	8	9
A	IRO	PTG0	PTF6	USB_DP	VBUS	VUSB33	PTF4	PTF3	PTE4
B	PTF7	PTA0	PTG1	USB_DM	PTF5	PTE7	PTF1	PTF0	PTE3
C	PTA4	PTA5	PTA6	PTA1	PTF2	PTE6	PTE5	PTE2	PTE1
D	INP1-	PTA7	PTB0	PTB1	PTA2	PTA3	PTD5	PTD7	PTE0
E	OUT1	VINN1	OUT2	VDD2	VDD3	VDD1	PTD2	PTD3	PTD6
F	VINP1	TRIOUT1	INP2-	VSS2	VSS3	VSS1	PTB7	PTC7	PTD4
G	DADP0	DACO	TRIOUT2	VINN2	VREFO	PTB6	PTC0	PTC1	PTC2
H	DADM0	DADM1	DADP1	VINP2	PTC3	PTC4	PTD0	PTC5	PTC6
J	VSSA	VREFL	VREFH	VDDA	PTB2	PTB3	PTD1	PTB4	PTB5

**Figure 5. 81-Pin MAPBGA**

## 1.2 Pin Assignments by Packages

Table 3. Package Pin Assignments

Package			Default Function	ALT1	ALT2	ALT3	Composite Pin Name
81 MAPBGA	80 LQFP	64 LQFP					
B2	1	1	PTA0	$\overline{SS1}$	—	—	PTA0/ $\overline{SS1}$
A1	2	2	IRO	—	—	—	IRO
C4	3	—	PTA1	KBI1P0	TX1	—	PTA1/KBI1P0/TX1
D5	4	—	PTA2	KBI1P1	RX1	ADP4	PTA2/KBI1P1/RX1/ADP4
D6	5	—	PTA3	KBI1P2	ADP5	—	PTA3/KBI1P2/ADP5
C1	6	3	PTA4	INP1+	—	—	PTA4/INP1+
C2	7	4	PTA5	—	—	—	PTA5
C3	8	5	PTA6	—	—	—	PTA6
D2	9	6	PTA7	INP2+	—	—	PTA7/INP2+
D3	10	7	PTB0	—	—	—	PTB0
D4	11	8	PTB1	$\overline{BLMS}$	—	—	PTB1/ $\overline{BLMS}$
J1	12	9	VSSA	—	—	—	VSSA
J2	13	10	VREFL	—	—	—	VREFL
D1	14	11	INP1-	—	—	—	INP1-
E1	15	12	OUT1	—	—	—	OUT1
F2	16	13	DADP2	TRIOUT1	—	—	DADP2/TRIOUT1
F1	17	14	VINP1	—	—	—	VINP1
E2	18	15	DADM2	VINN1	—	—	DADM2/VINN1
F3	19	16	INP2-	—	—	—	INP2-
E3	20	17	OUT2	—	—	—	OUT2
G2	21	18	DACO	—	—	—	DACO
G3	22	19	DADP3	TRIOUT2	—	—	DADP3/TRIOUT2
H4	23	20	VINP2	—	—	—	VINP2
G4	24	21	DADM3	VINN2	—	—	DADM3/VINN2
G1	25	22	DADP0	—	—	—	DADP0
H1	26	23	DADM0	—	—	—	DADM0
G5	27	24	VREFO	—	—	—	VREFO
H3	28	—	DADP1	—	—	—	DADP1
H2	29	—	DADM1	—	—	—	DADM1

Table 3. Package Pin Assignments (Continued)

Package			Default Function	ALT1	ALT2	ALT3	Composite Pin Name
81 MAPBGA	80 LQFP	64 LQFP					
J3	30	25	VREFH	—	—	—	VREFH
J4	31	26	VDDA	—	—	—	VDDA
F4	32	27	VSS2	—	—	—	VSS2
J5	33	28	PTB2	EXTAL1	—	—	PTB2/EXTAL1
J6	34	29	PTB3	XTAL1	—	—	PTB3/XTAL1
E4	35	30	VDD2	—	—	—	VDD2
J8	36	31	PTB4	EXTAL2	—	—	PTB4/EXTAL2
J9	37	32	PTB5	XTAL2	—	—	PTB5/XTAL2
G6	38	—	PTB6	KBI1P3	—	—	PTB6/KBI1P3
F7	39	—	PTB7	KBI1P4	—	—	PTB7/KBI1P4
G7	40	33	PTC0	MOSI2	—	—	PTC0/MOSI2
G8	41	34	PTC1	MISO2	—	—	PTC1/MISO2
G9	42	35	PTC2	KBI1P5	SPSCK2	ADP6	PTC2/KBI1P5/SPSCK2/ADP6
H5	43	36	PTC3	KBI1P6	$\overline{SS2}$	ADP7	PTC3/KBI1P6/ $\overline{SS2}$ /ADP7
H6	44	37	PTC4	KBI1P7	CMPP0	ADP8	PTC4/KBI1P7/CMPP0/ADP8
H8	45	38	PTC5	KBI2P0	CMPP1	ADP9	PTC5/KBI2P0/CMPP1/ADP9
H9	46	39	PTC6	KBI2P1	PRACMPO	ADP10	PTC6/KBI2P1/PRACMPO/ADP10
F8	47	40	PTC7	KBI2P2	CLKOUT	ADP11	PTC7/KBI2P2/CLKOUT/ADP11
H7	48	41	PTD0	BKGD	MS	—	PTD0/BKGD/MS
J7	49	42	PTD1	CMPP2	$\overline{RESET}$	—	PTD1/CMPP2/ $\overline{RESET}$
E7	50	43	PTD2	TPM1CH0	—	—	PTD2/TPM1CH0
E8	51	44	PTD3	TPM1CH1	—	—	PTD3/TPM1CH1
F9	52	45	PTD4	SDA	TPM1CH2	—	PTD4/SDA/TPM1CH2
D7	53	46	PTD5	SCL	TPM1CH3	—	PTD5/SCL/TPM1CH3
E9	54	47	PTD6	TX1	—	—	PTD6/TX1
D8	55	48	PTD7	RX1	—	—	PTD7/RX1
D9	56	—	PTE0	KBI2P3	—	—	PTE0/KBI2P3
C9	57	—	PTE1	KBI2P4	—	—	PTE1/KBI2P4
C8	58	—	PTE2	KBI2P5	—	—	PTE2/KBI2P5
B9	59	—	PTE3	KBI2P6	—	—	PTE3/KBI2P6
A9	60	49	PTE4	CMPP3	TPMCLK	IRQ	PTE4/CMPP3/TPMCLK/IRQ

Table 3. Package Pin Assignments (Continued)

Package			Default Function	ALT1	ALT2	ALT3	Composite Pin Name
81 MAPBGA	80 LQFP	64 LQFP					
F5	61	50	VSS3	—	—	—	VSS3
E5	62	51	VDD3	—	—	—	VDD3
C7	63	52	PTE5	TX2	—	—	PTE5/TX2
C6	64	53	PTE6	RX2	—	—	PTE6/RX2
B6	65	—	PTE7	TPM2CH3	—	—	PTE7/TPM2CH3
B8	66	—	PTF0	TPM2CH2	—	—	PTF0/TPM2CH2
B7	67	54	PTF1	RX2	TPM2CH1	—	PTF1/RX2/TPM2CH1
C5	68	55	PTF2	TX2	TPM2CH0	—	PTF2/TX2/TPM2CH0
A8	69	—	PTF3	SCL	—	—	PTF3/SCL
A7	70	—	PTF4	SDA	—	—	PTF4/SDA
B5	71	—	PTF5	KBI2P7	—	—	PTF5/KBI2P7
A6	72	56	VUSB33 <sup>1</sup>	—	—	—	VUSB33
B4	73	57	USB_DM <sup>2</sup>	—	—	—	USB_DM
A4	74	58	USB_DP <sup>3</sup>	—	—	—	USB_DP
A5	75	59	VBUS <sup>4</sup>	—	—	—	VBUS
F6	76	60	VSS1	—	—	—	VSS1
E6	77	61	VDD1	—	—	—	VDD1
A3	78	62	PTF6	MOSI1	—	—	PTF6/MOSI1
B1	79	63	PTF7	MISO1	—	—	PTF7/MISO1
A2	80	64	PTG0	SPSCK1	—	—	PTG0/SPSCK1
B3	—	—	PTG1	—	—	—	PTG1

<sup>1</sup> NC on MC9S08MM32A devices.

<sup>2</sup> NC on MC9S08MM32A devices.

<sup>3</sup> NC on MC9S08MM32A devices.

<sup>4</sup> NC on MC9S08MM32A devices.

## 2 Electrical Characteristics

This section contains electrical specification tables and reference timing diagrams for the MC9S08MM128/64/32/32A microcontroller, including detailed information on power considerations, DC/AC electrical characteristics, and AC timing specifications.

The electrical specifications are preliminary and are from previous designs or design simulations. These specifications may not be fully tested or guaranteed at this early stage of the product life cycle. These specifications will, however, be met for production silicon. Finalized specifications will be published after complete characterization and device qualifications have been completed.

### NOTE

The parameters specified in this data sheet supersede any values found in the module specifications.

### 2.1 Parameter Classification

The electrical parameters shown in this supplement are guaranteed by various methods. To give the customer a better understanding, the following classification is used and the parameters are tagged accordingly in the tables where appropriate:

**Table 4. Parameter Classifications**

<b>P</b>	Those parameters are guaranteed during production testing on each individual device.
<b>C</b>	Those parameters are achieved by the design characterization by measuring a statistically relevant sample size across process variations.
<b>T</b>	Those parameters are achieved by design characterization on a small sample size from typical devices under typical conditions unless otherwise noted. All values shown in the typical column are within this category.
<b>D</b>	Those parameters are derived mainly from simulations.

### NOTE

The classification is shown in the column labeled “C” in the parameter tables where appropriate.

## 2.2 Absolute Maximum Ratings

Absolute maximum ratings are stress ratings only, and functional operation at the maxima is not guaranteed. Stress beyond the limits specified in the following table may affect device reliability or cause permanent damage to the device. For functional operating conditions, refer to the remaining tables in this section.

**Table 5. Absolute Maximum Ratings**

#	Rating	Symbol	Value	Unit
1	Supply voltage	$V_{DD}$	-0.3 to +3.8	V
2	Maximum current into $V_{DD}$	$I_{DD}$	120	mA
3	Digital input voltage	$V_{In}$	-0.3 to $V_{DD} + 0.3$	V
4	Instantaneous maximum current Single pin limit (applies to all port pins) <sup>1, 2, 3</sup>	$I_D$	$\pm 25$	mA
5	Storage temperature range	$T_{stg}$	-55 to 150	°C

<sup>1</sup> Input must be current limited to the value specified. To determine the value of the required current-limiting resistor, calculate resistance values for positive ( $V_{DD}$ ) and negative ( $V_{SS}$ ) clamp voltages, then use the larger of the two resistance values.

<sup>2</sup> All functional non-supply pins are internally clamped to  $V_{SS}$  and  $V_{DD}$ .

<sup>3</sup> Power supply must maintain regulation within operating  $V_{DD}$  range during instantaneous and operating maximum current conditions. If positive injection current ( $V_{In} > V_{DD}$ ) is greater than  $I_{DD}$ , the injection current may flow out of  $V_{DD}$  and could result in external power supply going out of regulation. Ensure external  $V_{DD}$  load will shunt current greater than maximum injection current. This will be the greatest risk when the MCU is not consuming power. Examples are: if no system clock is present, or if the clock rate is very low (which would reduce overall power consumption).

This device contains circuitry protecting against damage due to high static voltage or electrical fields; however, it is advised that normal precautions be taken to avoid application of any voltages higher than maximum-rated voltages to this high-impedance circuit. Reliability of operation is enhanced if unused inputs are tied to an appropriate logic voltage level (for instance, either  $V_{SS}$  or  $V_{DD}$ ).

## 2.3 Thermal Characteristics

This section provides information about operating temperature range, power dissipation, and package thermal resistance. Power dissipation on I/O pins is usually small compared to the power dissipation in on-chip logic and it is user-determined rather than being controlled by the MCU design. In order to take  $P_{I/O}$  into account in power calculations, determine the difference between actual pin voltage and  $V_{SS}$  or  $V_{DD}$  and multiply by the pin current for each I/O pin. Except in cases of unusually high pin current (heavy loads), the difference between pin voltage and  $V_{SS}$  or  $V_{DD}$  will be very small.

**Table 6. Thermal Characteristics**

#	Symbol	Rating	Value	Unit
1	$T_A$	Operating temperature range (packaged):		°C
		MC9S08MM128	–40 to 105	
		MC9S08MM64	–40 to 105	
		MC9S08MM32	–40 to 105	
		MC9S08MM32A	–40 to 105	
2	$T_{JMAX}$	Maximum junction temperature	135	°C
3	$\theta_{JA}$	Thermal resistance <sup>1,2,3,4</sup> Single-layer board — 1s		°C/W
		81-pin MBGA	77	
		80-pin LQFP	55	
		64-pin LQFP	68	
4	$\theta_{JA}$	Thermal resistance <sup>1, 2, 3, 4</sup> Four-layer board — 2s2p		°C/W
		81-pin MBGA	47	
		80-pin LQFP	40	
		64-pin LQFP	49	

<sup>1</sup> Junction temperature is a function of die size, on-chip power dissipation, package thermal resistance, mounting site (board) temperature, ambient temperature, air flow, power dissipation of other components on the board, and board thermal resistance.

<sup>2</sup> Junction to Ambient Natural Convection

<sup>3</sup> 1s — Single layer board, one signal layer

<sup>4</sup> 2s2p — Four layer board, 2 signal and 2 power layers

The average chip-junction temperature ( $T_J$ ) in °C can be obtained from:

$$T_J = T_A + (P_D \times \theta_{JA}) \quad \text{Eqn. 1}$$

where:

$T_A$  = Ambient temperature, °C

$\theta_{JA}$  = Package thermal resistance, junction-to-ambient, °C/W

$P_D = P_{int} + P_{I/O}$

$P_{int} = I_{DD} \times V_{DD}$ , Watts — chip internal power

$P_{I/O}$  = Power dissipation on input and output pins — user determined

## Electrical Characteristics

For most applications,  $P_{I/O} \ll P_{int}$  and can be neglected. An approximate relationship between  $P_D$  and  $T_J$  (if  $P_{I/O}$  is neglected) is:

$$P_D = K \div (T_J + 273^\circ\text{C}) \quad \text{Eqn. 2}$$

Solving Equation 1 and Equation 2 for K gives:

$$K = P_D \times (T_A + 273^\circ\text{C}) + \theta_{JA} \times (P_D)^2 \quad \text{Eqn. 3}$$

where K is a constant pertaining to the particular part. K can be determined from Equation 3 by measuring  $P_D$  (at equilibrium) for a known  $T_A$ . Using this value of K, the values of  $P_D$  and  $T_J$  can be obtained by solving Equation 1 and Equation 2 iteratively for any value of  $T_A$ .

## 2.4 ESD Protection Characteristics

Although damage from static discharge is much less common on these devices than on early CMOS circuits, normal handling precautions should be used to avoid exposure to static discharge. Qualification tests are performed to ensure that these devices can withstand exposure to reasonable levels of static without suffering any permanent damage.

All ESD testing is in conformity with CDF-AEC-Q00 Stress Test Qualification for Automotive Grade Integrated Circuits. (<http://www.aecouncil.com/>) This device was qualified to AEC-Q100 Rev E.

A device is considered to have failed if, after exposure to ESD pulses, the device no longer meets the device specification requirements. Complete dc parametric and functional testing is performed per the applicable device specification at room temperature followed by hot temperature, unless specified otherwise in the device specification.

**Table 7. ESD and Latch-up Test Conditions**

Model	Description	Symbol	Value	Unit
Human Body	Series Resistance	R1	1500	$\Omega$
	Storage Capacitance	C	100	pF
	Number of Pulse per pin	—	3	—
Machine	Series Resistance	R1	0	$\Omega$
	Storage Capacitance	C	200	pF
	Number of Pulse per pin	—	3	—
Latch-up	Minimum input voltage limit	—	-2.5	V
	Maximum input voltage limit	—	7.5	V

**Table 8. ESD and Latch-Up Protection Characteristics**

#	Rating	Symbol	Min	Max	Unit	C
1	Human Body Model (HBM)	$V_{HBM}$	$\pm 2000$	—	V	T
2	Machine Model (MM)	$V_{MM}$	$\pm 200$	—	V	T
3	Charge Device Model (CDM)	$V_{CDM}$	$\pm 500$	—	V	T
4	Latch-up Current at $T_A = 125^\circ\text{C}$	$I_{LAT}$	$\pm 100$	—	mA	T



## 2.5 DC Characteristics

This section includes information about power supply requirements, I/O pin characteristics, and power supply current in various operating modes.

**Table 9. DC Characteristics**

Num	Symbol	Characteristic	Condition	Min	Typ <sup>1</sup>	Max	Unit	C	
1	V <sub>DD</sub>	Operating Voltage	—	1.8 <sup>2</sup>	—	3.6	V	—	
2	V <sub>OH</sub>	Output high voltage	All I/O pins, low-drive strength						
			V <sub>DD</sub> ≥ 1.8 V, I <sub>Load</sub> = -600 μA	V <sub>DD</sub> - 0.5	—	—	V	C	
			All I/O pins, high-drive strength						
			V <sub>DD</sub> ≥ 2.7 V, I <sub>Load</sub> = -10 mA	V <sub>DD</sub> - 0.5	—	—	V	P	
			V <sub>DD</sub> ≥ 1.8 V, I <sub>Load</sub> = -3 mA	V <sub>DD</sub> - 0.5	—	—	V	C	
3	I <sub>OHT</sub>	Output high current	Max total I <sub>OH</sub> for all ports	—	—	—	100	mA	D
4	V <sub>OL</sub>	Output low voltage	All I/O pins, low-drive strength						
			V <sub>DD</sub> ≥ 1.8 V, I <sub>Load</sub> = 600 μA	—	—	0.5	V	C	
			All I/O pins, high-drive strength						
			V <sub>DD</sub> ≥ 2.7 V, I <sub>Load</sub> = 10 mA	—	—	0.5	V	P	
			V <sub>DD</sub> ≥ 1.8 V, I <sub>Load</sub> = 3 mA	—	—	0.5	V	C	
5	I <sub>OLT</sub>	Output low current	Max total I <sub>OL</sub> for all ports	—	—	—	100	mA	D
6	V <sub>IH</sub>	Input high voltage	all digital inputs						
			all digital inputs, V <sub>DD</sub> > 2.7 V	0.70 x V <sub>DD</sub>	—	—	V	P	
			all digital inputs, 2.7 V > V <sub>DD</sub> ≥ 1.8 V	0.85 x V <sub>DD</sub>	—	—	V	P	

Table 9. DC Characteristics (Continued)

Num	Symbol	Characteristic	Condition	Min	Typ <sup>1</sup>	Max	Unit	C	
7	V <sub>IL</sub>	Input low voltage all digital inputs	all digital inputs, V <sub>DD</sub> > 2.7 V	—	—	0.35 x V <sub>DD</sub>	V	P	
			all digital inputs, 2.7 > V <sub>DD</sub> ≥ 1.8 V	—	—	0.30 x V <sub>DD</sub>	V	P	
8	V <sub>hys</sub>	Input hysteresis all digital inputs	—	0.06 x V <sub>DD</sub>	—	—	mV	C	
9	I <sub>IN</sub>	Input leakage current all input only pins (Per pin)	V <sub>IN</sub> = V <sub>DD</sub> or V <sub>SS</sub>	—	—	0.5	μA	P	
10	I <sub>OZ</sub>	Hi-Z (off-state) leakage current <sup>3</sup> all digital input/output (per pin)	V <sub>IN</sub> = V <sub>DD</sub> or V <sub>SS</sub>	—	0.003	0.5	μA	P	
11	R <sub>PU</sub>	Pull-up resistors	—	17.5	—	52.5	kΩ	P	
12	R <sub>PD</sub>	Internal pull-down resistors <sup>4</sup>	—	17.5	—	52.5	kΩ	P	
13	I <sub>IC</sub>	DC injection current <sup>5, 6, 7</sup> Single pin limit	V <sub>SS</sub> > V <sub>IN</sub> > V <sub>DD</sub>	-0.2	—	0.2	mA	D	
			Total MCU limit, includes sum of all stressed pins						
			V <sub>SS</sub> > V <sub>IN</sub> > V <sub>DD</sub>	-5	—	5	mA	D	
14	C <sub>IN</sub>	Input Capacitance, all pins	—	—	—	8	pF	C	
15	V <sub>RAM</sub>	RAM retention voltage	—	—	0.6	1.0	V	C	
16	V <sub>POR</sub>	POR re-arm voltage <sup>8</sup>	—	0.9	1.4	1.79	V	C	
17	t <sub>POR</sub>	POR re-arm time	—	10	—	—	μs	D	
18	V <sub>LVDH</sub> <sup>9</sup>	Low-voltage detection threshold — high range	V <sub>DD</sub> falling	—	2.11	2.16	2.22	V	P
			V <sub>DD</sub> rising	—	2.16	2.23	2.27	V	P
19	V <sub>LVDL</sub>	Low-voltage detection threshold — low range <sup>9</sup>	V <sub>DD</sub> falling	—	1.80	1.84	1.88	V	P
			V <sub>DD</sub> rising	—	1.88	1.93	1.96	V	P

Table 9. DC Characteristics (Continued)

Num	Symbol	Characteristic	Condition	Min	Typ <sup>1</sup>	Max	Unit	C	
20	$V_{LVWH}$	Low-voltage warning threshold — high range <sup>9</sup>	$V_{DD}$ falling	—	2.36	2.46	2.56	V	P
			$V_{DD}$ rising	—	2.36	2.46	2.56	V	P
21	$V_{LVWL}$	Low-voltage warning threshold — low range <sup>9</sup>	$V_{DD}$ falling	—	2.11	2.16	2.22	V	P
			$V_{DD}$ rising	—	2.16	2.23	2.27	V	P
22	$V_{hys}$	Low-voltage inhibit reset/recover hysteresis <sup>10</sup>	—	—	50	—	mV	C	
23	$V_{BG}$	Bandgap Voltage Reference <sup>11</sup>	—	1.15	1.17	1.18	V	P	

<sup>1</sup> Typical values are measured at 25°C. Characterized, not tested

<sup>2</sup> As the supply voltage rises, the LVD circuit will hold the MCU in reset until the supply has risen above  $V_{LVDL}$ .

<sup>3</sup> Does not include analog module pins. Dedicated analog pins should not be pulled to  $V_{DD}$  or  $V_{SS}$  and should be left floating when not used to reduce current leakage.

<sup>4</sup> Measured with  $V_{in} = V_{DD}$ .

<sup>5</sup> All functional non-supply pins are internally clamped to  $V_{SS}$  and  $V_{DD}$  except PTD1.

<sup>6</sup> Input must be current limited to the value specified. To determine the value of the required current-limiting resistor, calculate resistance values for positive and negative clamp voltages, then use the larger of the two values.

<sup>7</sup> Power supply must maintain regulation within operating  $V_{DD}$  range during instantaneous and operating maximum current conditions. If positive injection current ( $V_{in} > V_{DD}$ ) is greater than  $I_{DD}$ , the injection current may flow out of  $V_{DD}$  and could result in external power supply going out of regulation. Ensure external  $V_{DD}$  load will shunt current greater than maximum injection current. This will be the greatest risk when the MCU is not consuming power. Examples are: if no system clock is present, or if clock rate is very low (which would reduce overall power consumption).

<sup>8</sup> Maximum is highest voltage that POR is guaranteed.

<sup>9</sup> Run at 1 MHz bus frequency

<sup>10</sup> Low voltage detection and warning limits measured at 1 MHz bus frequency.

<sup>11</sup> Factory trimmed at  $V_{DD} = 3.0$  V, Temp = 25°C

## 2.6 Supply Current Characteristics

Table 10. Supply Current Characteristics

#	Symbol	Parameter	Bus Freq	V <sub>DD</sub> (V)	Typ <sup>1</sup>	Max	Unit	Temp (°C)	C
1	R <sub>I</sub> DD	Run supply current	FEI mode; all modules ON <sup>2</sup>						
			24 MHz	3	20	24	mA	-40 to 25	P
			24 MHz	3	20	24	mA	105	P
			20 MHz	3	18	—	mA	-40 to 105	T
			8 MHz	3	8	—	mA	-40 to 105	T
			1 MHz	3	1.8	—	mA	-40 to 105	T
2	R <sub>I</sub> DD	Run supply current	FEI mode; all modules OFF <sup>3</sup>						
			24 MHz	3	12.3	14.1	mA	-40 to 105	C
			20 MHz	3	10.5	—	mA	-40 to 105	T
			8 MHz	3	4.8	—	mA	-40 to 105	T
			1 MHz	3	1.3	—	mA	-40 to 105	T
3	R <sub>I</sub> DD	Run supply current	LPS=0; all modules OFF <sup>3</sup>						
			16 kHz FBILP	3	153	222	μA	-40 to 105	T
			16 kHz FBELP	3	143	200	μA	-40 to 105	T
4	R <sub>I</sub> DD	Run supply current	LPS=1, all modules OFF <sup>3</sup>						
			16 kHz FBELP	3	20	26	μA	0 to 70	T
			16 kHz FBELP	3	20	70	μA	-40 to 105	T

Table 10. Supply Current Characteristics (Continued)

#	Symbol	Parameter	Bus Freq	V <sub>DD</sub> (V)	Typ <sup>1</sup>	Max	Unit	Temp (°C)	C
5	W <sub>I</sub> DD	Wait mode supply current FEI mode, all modules OFF <sup>3</sup>	24 MHz	3	6.7	—	mA	–40 to 105	C
			20 MHz	3	5.6	—	mA	–40 to 105	T
			8 MHz	3	2.4	—	mA	–40 to 105	T
			1 MHz	3	1	—	mA	–40 to 105	T
6	LPW <sub>I</sub> DD	Low-Power Wait mode supply current	16 KHz	3	10	40	µA	–40 to 105	T
7	S2 <sub>I</sub> DD	Stop2 mode supply current <sup>4</sup>	N/A	3	0.39	0.8	µA	–40 to 25	P
			N/A	3	2.4	4.5	µA	70	C
			N/A	3	7	11	µA	85	C
			N/A	3	16	22	µA	105	P
			N/A	2	0.2	0.45	µA	–40 to 25	C
			N/A	2	2	3.8	µA	70	C
			N/A	2	8	12	µA	85	C
			N/A	2	10	20	µA	105	C

**Table 10. Supply Current Characteristics (Continued)**

#	Symbol	Parameter	Bus Freq	V <sub>DD</sub> (V)	Typ <sup>1</sup>	Max	Unit	Temp (°C)	C
8	S3I <sub>DD</sub>	Stop3 mode No clocks active supply current <sup>4</sup>							
			N/A	3	0.55	0.9	μA	-40 to 25	P
			N/A	3	5.5	8.9	μA	70	C
			N/A	3	14	18	μA	85	C
			N/A	3	37	42	μA	105	P
			N/A	2	0.35	0.5	μA	-40 to 25	C
			N/A	2	3.8	6.8	μA	70	C
			N/A	2	14	20	μA	85	C
			2	25	46	μA	105	C	

<sup>1</sup> Data in Typical column was characterized at 3.0 V, 25°C or is typical recommended value.

<sup>2</sup> ON = System Clock Gating Control registers turn on system clock to the corresponding modules.

<sup>3</sup> OFF = System Clock Gating Control registers turn off system clock to the corresponding modules.

<sup>4</sup> All digital pins must be configured to a known state to prevent floating pins from adding current. Smaller packages may have some pins that are not bonded out; however, software must still be configured to the largest pin package available so that all pins are in a known state. Otherwise, floating pins that are not bonded in the smaller packages may result in a higher current draw.

NOTE: I/O pins are configured to output low, input-only pins are configured to pullup enabled. IRO pin connects to ground. TRIAMPx, OPAMPx, DACO, and VREFO pins are at reset state and unconnected.

**Table 11. Typical Stop Mode Adders**

#	Parameter	Condition	Temperature (°C)					Units	C
			-40	25	70	85	105		
1	LPO	—	50	75	100	150	250	nA	D
2	EREFSTEN	RANGE = HGO = 0	600	650	750	850	1000	nA	D
3	IREFSTEN <sup>1</sup>	—	—	73	80	92	125	μA	T
4	TOD	Does not include clock source current	50	75	100	150	250	nA	D
5	PRACMP <sup>1</sup>	Not using the bandgap (BGBE = 0)	30	35	40	55	75	μA	T
6	ADC <sup>1</sup>	ADLPC = ADLSMP = 1 Not using the bandgap (BGBE = 0)	190	195	210	220	260	μA	T

Table 11. Typical Stop Mode Adders (Continued)

#	Parameter	Condition	Temperature (°C)					Units	C
			-40	25	70	85	105		
7	DAC <sup>1</sup>	High-Power mode; no load on DACO	369	377	377	390	410	μA	T
		Low-Power mode	50	51	51	52	60	μA	T
8	OPAMP <sup>1</sup>	High-Power mode	453	538	538	540	540	μA	T
		Low-Power mode	56	67	67	68	70	μA	T
9	TRIAMP <sup>1</sup>	High-Power mode	430	432	433	438	478	μA	T
		Low-Power mode	52	52	52	55	60	μA	T

<sup>1</sup> Not available in stop2 mode.

## 2.7 PRACMP Electricals

Table 12. PRACMP Electrical Specifications

#	Characteristic	Symbol	Min	Typical	Max	Unit	C
1	Supply voltage	V <sub>PWR</sub>	1.8	—	3.6	V	P
2	Supply current (active) (PRG enabled)	I <sub>DDACT1</sub>	—	—	80	μA	D
3	Supply current (active) (PRG disabled)	I <sub>DDACT2</sub>	—	—	40	μA	D
4	Supply current (ACMP and PRG all disabled)	I <sub>DDDIS</sub>	—	—	2	nA	D
5	Analog input voltage	V <sub>AIN</sub>	V <sub>SS</sub> - 0.3	—	V <sub>DD</sub>	V	D
6	Analog input offset voltage	V <sub>AIO</sub>	—	5	40	mV	D
7	Analog comparator hysteresis	V <sub>H</sub>	3.0	—	20.0	mV	D
8	Analog input leakage current	I <sub>ALKG</sub>	—	—	1	nA	D
9	Analog comparator initialization delay	t <sub>AINIT</sub>	—	—	1.0	μs	D
10	Programmable reference generator inputs	V <sub>In2</sub> (V <sub>DD25</sub> )	1.8	—	2.75	V	D
11	Programmable reference generator setup delay	t <sub>PRGST</sub>	—	1	—	μs	D
12	Programmable reference generator step size	V <sub>step</sub>	0.75	1	1.25	LSB	D
13	Programmable reference generator voltage range	V <sub>prgout</sub>	V <sub>In</sub> /32	—	V <sub>in</sub>	V	P

## 2.8 12-Bit DAC Electricals

**Table 13. DAC 12LV Operating Requirements**

#	Characteristic	Symbol	Min	Max	Unit	C	Notes
1	Supply voltage	$V_{DDA}$	1.8	3.6	V	P	
2	Reference voltage	$V_{DACR}$	1.15	3.6	V	C	
3	Temperature	$T_A$	-40	105	°C	C	
4	Output load capacitance	$C_L$	—	100	pF	C	A small load capacitance (47 pF) can improve the bandwidth performance of the DAC.
5	Output load current	$I_L$	—	1	mA	C	

**Table 14. DAC 12-Bit Operating Behaviors**

#	Characteristic	Symbol	Min	Typ	Max	Unit	C	Notes
1	Resolution	N	12	—	12	bit	T	
2	Supply current low-power mode	$I_{DDA\_DACLP}$	—	50	100	μA	T	
3	Supply current high-power mode	$I_{DDA\_DACHP}$	—	345	500	μA	T	
4	Full-scale Settling time (±1 LSB) (0x080 to 0xF7F or 0xF7F to 0x080) low-power mode	$T_{SFSLP}$	—	—	200	μs	T	<ul style="list-style-type: none"> <li><math>V_{DDA} = 3\text{ V}</math> or <math>2.2\text{ V}</math></li> <li><math>V_{REFSEL} = 1</math></li> <li>Temperature = <math>25^\circ\text{C}</math></li> </ul>
5	Full-scale Settling time (±1 LSB) (0x080 to 0xF7F or 0xF7F to 0x080) high-power mode	$T_{SFSHP}$	—	—	30	μs	T	<ul style="list-style-type: none"> <li><math>V_{DDA} = 3\text{ V}</math> or <math>2.2\text{ V}</math></li> <li><math>V_{REFSEL} = 1</math></li> <li>Temperature = <math>25^\circ\text{C}</math></li> </ul>
6	Code-to-code Settling time (±1 LSB) (0xBF8 to 0xC08 or 0xC08 to 0xBF8) low-power mode	$T_{SCCLP}$	—	—	5	μs	T	<ul style="list-style-type: none"> <li><math>V_{DDA} = 3\text{ V}</math> or <math>2.2\text{ V}</math></li> <li><math>V_{REFSEL} = 1</math></li> <li>Temperature = <math>25^\circ\text{C}</math></li> </ul>
7	Code-to-code Settling time (±1 LSB) (0xBF8 to 0xC08 or 0xC08 to 0xBF8) high-power mode (3 V at Room Temperature)	$T_{SCCHP}$	—	1	—	μs	T	<ul style="list-style-type: none"> <li><math>V_{DDA} = 3\text{ V}</math> or <math>2.2\text{ V}</math></li> <li><math>V_{REFSEL} = 1</math></li> <li>Temperature = <math>25^\circ\text{C}</math></li> </ul>
8	DAC output voltage range low (high-power mode, no load, DAC set to 0) (3 V at Room Temperature)	$V_{dacoutl}$	—	—	100	mV	T	



Table 14. DAC 12-Bit Operating Behaviors (Continued)

#	Characteristic	Symbol	Min	Typ	Max	Unit	C	Notes
9	DAC output voltage range high (high-power mode, no load, DAC set to 0x0FFF)	$V_{dacouth}$	$V_{DACR} \cdot \frac{100}{100}$	—	—	mV	T	
10	Integral non-linearity error	INL	—	—	$\pm 8$	LSB	T	
11	Differential non-linearity error VDACR is > 2.4 V	DNL	—	—	$\pm 1$	LSB	T	
12	Offset error	$E_O$	—	$\pm 0.4$	$\pm 3$	%FSR	T	Calculated by a best fit curve from $V_{SS} + 100mV$ to $V_{REFH} - 100mV$
13	Gain error, $V_{REFH} = V_{ext} = V_{DD}$	$E_G$	—	$\pm 0.1$	$\pm 0.5$	%FSR	T	Calculated by a best fit curve from $V_{SS} + 100mV$ to $V_{REFH} - 100mV$
14	Power supply rejection ratio $V_{DD} \geq 2.4 V$	PSRR	60	—	—	dB	T	
15	Temperature drift of offset voltage (DAC set to 0x0800)	$T_{CO}$	—	—	2	mV	T	See Typical Drift figure that follows.
16	Offset aging coefficient	$A_C$	—	—	8	$\mu V/yr$	T	

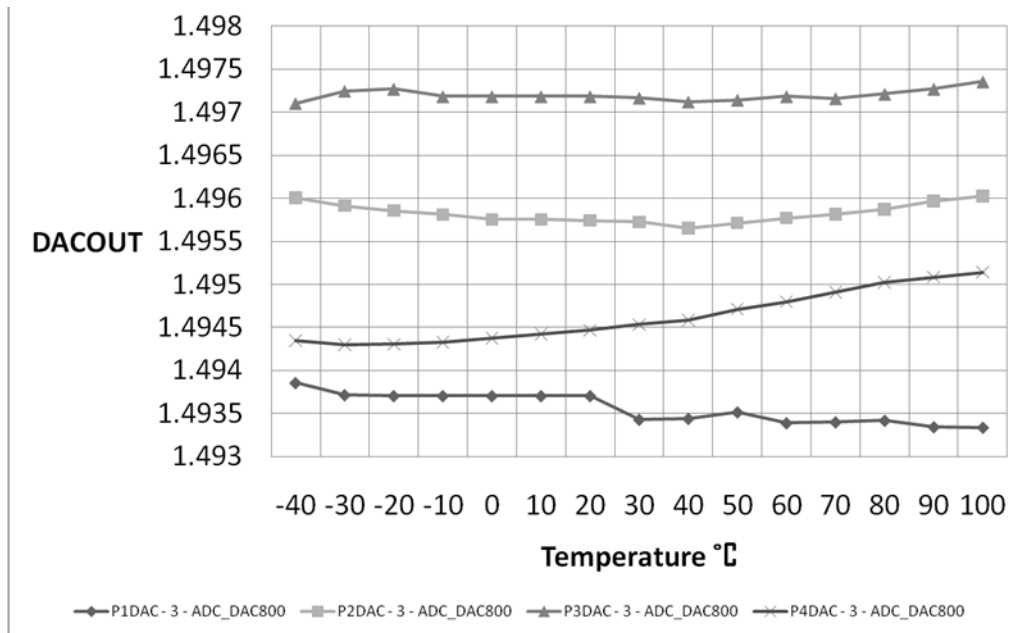


Figure 6. Offset at Half Scale vs Temperature

## 2.9 ADC Characteristics

**Table 15. 16-Bit ADC Operating Conditions**

#	Symb	Characteristic	Conditions	Min	Typ <sup>1</sup>	Max	Unit	C	Comment
1	V <sub>DDA</sub>	Supply voltage	Absolute	1.8	—	3.6	V	D	
2	ΔV <sub>DDA</sub>		Delta to V <sub>DD</sub> (V <sub>DD</sub> -V <sub>DDA</sub> ) <sup>2</sup>	-100	0	+100	mV	D	
3	ΔV <sub>SSA</sub>	Ground voltage	Delta to V <sub>SS</sub> (V <sub>SS</sub> -V <sub>SSA</sub> ) <sup>2</sup>	-100	0	+100	mV	D	
4	V <sub>REFH</sub>	Ref Voltage High		1.15	V <sub>DDA</sub>	V <sub>DDA</sub>	V	D	
5	V <sub>REFL</sub>	Ref Voltage Low		V <sub>SSA</sub>	V <sub>SSA</sub>	V <sub>SSA</sub>	V	D	
6	V <sub>ADIN</sub>	Input Voltage		V <sub>REFL</sub>	—	V <sub>REFH</sub>	V	D	
7	C <sub>ADIN</sub>	Input Capacitance	16-bit modes 8/10/12-bit modes	—	8 4	10 5	pF	T	
8	R <sub>ADIN</sub>	Input Resistance		—	2	5	kΩ	T	
9	R <sub>AS</sub>	Analogue Source Resistance							External to MCU Assumes ADLSMP=0
		16-bit mode	f <sub>ADCK</sub> > 8 MHz	—	—	0.5	kΩ	T	
			4 MHz < f <sub>ADCK</sub> < 8 MHz	—	—	1	kΩ	T	
			f <sub>ADCK</sub> < 4 MHz	—	—	2	kΩ	T	
		13/12-bit mode	f <sub>ADCK</sub> > 8 MHz	—	—	1	kΩ	T	
			4 MHz < f <sub>ADCK</sub> < 8 MHz	—	—	2	kΩ	T	
			f <sub>ADCK</sub> < 4 MHz	—	—	5	kΩ	T	
		11/10-bit mode	f <sub>ADCK</sub> > 8 MHz	—	—	2	kΩ	T	
			4 MHz < f <sub>ADCK</sub> < 8 MHz	—	—	5	kΩ	T	
			f <sub>ADCK</sub> < 4 MHz	—	—	10	kΩ	T	
		9/8-bit mode	f <sub>ADCK</sub> > 8 MHz	—	—	5	kΩ	T	
			f <sub>ADCK</sub> < 8 MHz	—	—	10	kΩ	T	

Table 15. 16-Bit ADC Operating Conditions (Continued)

#	Symb	Characteristic	Conditions	Min	Typ <sup>1</sup>	Max	Unit	C	Comment
10	f <sub>ADCK</sub>	ADC Conversion Clock Frequency							
		ADLPC=0, ADHSC=1		1.0	—	8.0	MHz	D	
		ADLPC=0, ADHSC=0		1.0	—	5.0	MHz	D	
		ADLPC=1, ADHSC=0		1.0	—	2.5	MHz	D	

<sup>1</sup> Typical values assume V<sub>DDA</sub> = 3.0 V, Temp = 25 °C, f<sub>ADCK</sub>=1.0 MHz unless otherwise stated. Typical values are for reference only and are not tested in production.

<sup>2</sup> DC potential difference.

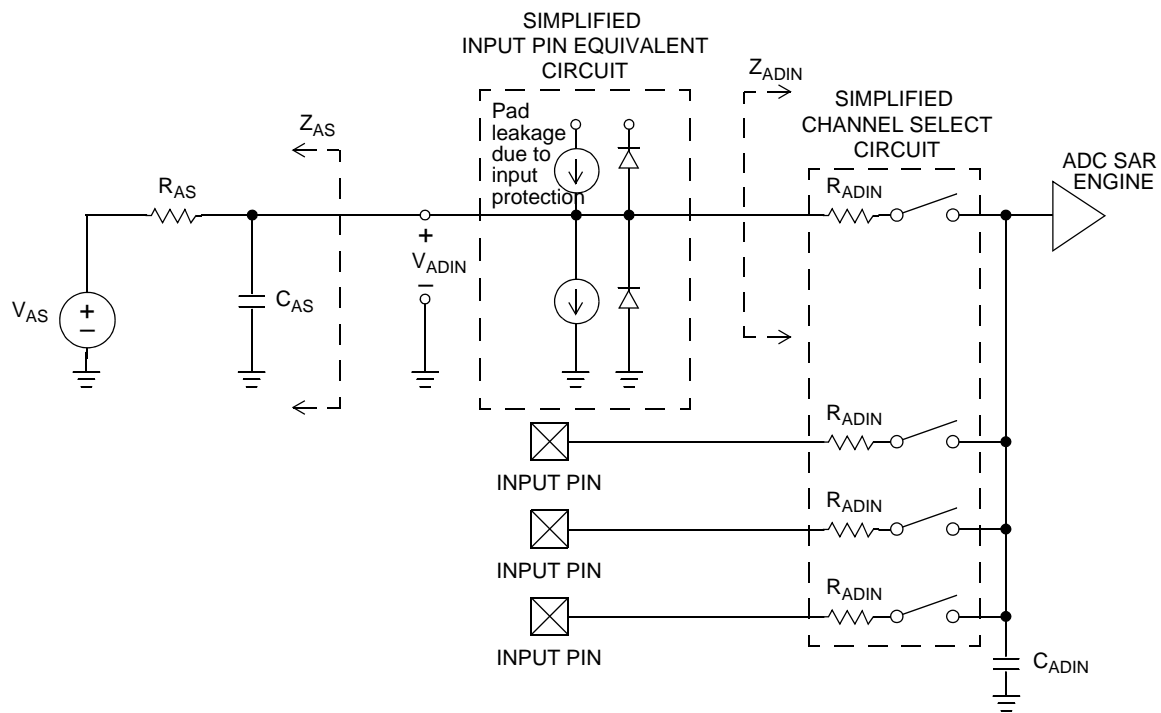


Figure 7. ADC Input Impedance Equivalency Diagram

**Table 16. 16-Bit SAR ADC Characteristics full operating range**  
 ( $V_{REFH} = V_{DDA}, > 1.8, V_{REFL} = V_{SSA} \leq 8 \text{ MHz}, -40 \text{ to } 85 \text{ }^\circ\text{C}$ )

#	Characteristic	Conditions <sup>1</sup>	Symb	Min	Typ <sup>2</sup>	Max	Unit	C	Comment
1	Supply Current	ADLPC=1, ADHSC=0	$I_{DDAD}$	—	215	—	$\mu\text{A}$	T	ADLSMP=0 ADCO=1
		ADLPC=0, ADHSC=0		—	470	—			
		ADLPC=0, ADHSC=1		—	610	—			
2	Supply Current	Stop, Reset, Module Off	$I_{DDAD}$	—	0.01	—	$\mu\text{A}$	T	
3	ADC Asynchronous Clock Source	ADLPC=1, ADHSC=0	$f_{ADACK}$	—	2.4	—	MHz	C	$t_{ADACK} = 1/f_{ADACK}$
		ADLPC=0, ADHSC=0		—	5.2	—			
		ADLPC=0, ADHSC=1		—	6.2	—			
4	Sample Time	See Reference Manual for sample times							
5	Conversion Time	See Reference Manual for conversion times							
6	Total Unadjusted Error	16-bit differential mode 16-bit single-ended mode	TUE	—	$\pm 16$	+48/–40 +56/–28	LSB <sup>3</sup>	T	32x Hardware Averaging (AVGE = %1 AVGS = %11)
		13-bit differential mode 12-bit single-ended mode		—	$\pm 1.5$	$\pm 3.0$		T	
		11-bit differential mode 10-bit single-ended mode		—	$\pm 0.7$	$\pm 1.5$		T	
		9-bit differential mode 8-bit single-ended mode		—	$\pm 0.5$	$\pm 1.0$		T	
7	Differential Non-Linearity	16-bit differential mode 16-bit single-ended mode	DNL	—	$\pm 2.5$	+5/–3 +5/–3	LSB <sup>2</sup>	T	
		13-bit differential mode 12-bit single-ended mode		—	$\pm 0.7$	$\pm 1$		T	
		11-bit differential mode 10-bit single-ended mode		—	$\pm 0.5$	$\pm 0.75$		T	
		9-bit differential mode 8-bit single-ended mode		—	$\pm 0.2$	$\pm 0.5$		T	

**Table 16. 16-Bit SAR ADC Characteristics full operating range**  
**( $V_{REFH} = V_{DDA}, > 1.8$ ,  $V_{REFL} = V_{SSA} \leq 8$  MHz,  $-40$  to  $85$  °C) (Continued)**

#	Characteristic	Conditions <sup>1</sup>	Symb	Min	Typ <sup>2</sup>	Max	Unit	C	Comment
8	Integral Non-Linearity	16-bit differential mode	INL	—	±6.0	±16.0	LSB <sup>2</sup>	T	
		16-bit single-ended mode		—	±10.0	±20.0		T	
		13-bit differential mode		—	±1.0	±2.5		T	
		12-bit single-ended mode		—	±1.0	±2.5		T	
9	Zero-Scale Error	16-bit differential mode	E <sub>ZS</sub>	—	±4.0	+32/–24	LSB <sup>2</sup>	T	V <sub>ADIN</sub> = V <sub>SSA</sub>
		16-bit single-ended mode		—	±4.0	+24/–16		T	
		13-bit differential mode		—	±0.7	±2.5		T	
		12-bit single-ended mode		—	±0.7	±2.0		T	
10	Full-Scale Error	16-bit differential mode	E <sub>FS</sub>	—	+10/0	+42/–2	LSB <sup>2</sup>	T	V <sub>ADIN</sub> = V <sub>DDA</sub>
		16-bit single-ended mode		—	+14/0	+46/–2		T	
		13-bit differential mode		—	±1.0	±3.5		T	
		12-bit single-ended mode		—	±1.0	±3.5		T	
11	Quantization Error	16-bit modes	E <sub>Q</sub>	—	–1 to 0	—	LSB <sup>2</sup>	D	
		≤13-bit modes		—	—	±0.5			
12	Effective Number of Bits	16-bit differential mode	ENOB				Bits	C	F <sub>in</sub> = F <sub>sample</sub> /10 0
		Avg=32		12.8	14.2	—			
		Avg=16		12.7	13.8	—			
		Avg=8		12.6	13.6	—			
		Avg=4		12.5	13.3	—			
Avg=1	11.9	12.5	—						
13	Signal to Noise plus Distortion	See ENOB	SINAD	$SINAD = 6.02 \cdot ENOB + 1.76$			dB		

## Electrical Characteristics

**Table 16. 16-Bit SAR ADC Characteristics full operating range**  
**( $V_{REFH} = V_{DDA}, > 1.8, V_{REFL} = V_{SSA} \leq 8 \text{ MHz}, -40 \text{ to } 85 \text{ }^\circ\text{C}$ ) (Continued)**

#	Characteristic	Conditions <sup>1</sup>	Symb	Min	Typ <sup>2</sup>	Max	Unit	C	Comment
14	Total Harmonic Distortion	16-bit differential mode Avg=32	THD	—	-91.5	-74.3	dB	C	$F_{in} = F_{sample}/10$ 0
		16-bit single-ended mode Avg=32		—	-85.5	—		D	
15	Spurious Free Dynamic Range	16-bit differential mode Avg=32	SFDR	75.0	92.2	—	dB	C	$F_{in} = F_{sample}/10$ 0
		16-bit single-ended mode Avg=32		—	86.2	—		D	
16	Input Leakage Error	all modes	$E_{IL}$	$I_{in} * R_{AS}$			mV	D	$I_{in} =$ leakage current (refer to DC characteristics)
17	Temp Sensor Slope	-40°C – 25°C	m	—	1.646	—	mV/x C	C	
		25°C – 125°C		—	1.769	—			
18	Temp Sensor Voltage	25°C	$V_{TEMP2}$ 5	—	718.2	—	mV	C	

<sup>1</sup> All accuracy numbers assume the ADC is calibrated with  $V_{REFH}=V_{DDA}$

<sup>2</sup> Typical values assume  $V_{DDA} = 3.0\text{V}$ , Temp = 25°C,  $f_{ADCK}=2.0\text{MHz}$  unless otherwise stated. Typical values are for reference only and are not tested in production.

<sup>3</sup>  $1 \text{ LSB} = (V_{REFH} - V_{REFL})/2^N$

**Table 17. 16-bit SAR ADC Characteristics full operating range**  
 ( $V_{REFH} = V_{DDA} \geq 2.7\text{ V}$ ,  $V_{REFL} = V_{SSA}$ ,  $f_{ADACK} \leq 4\text{ MHz}$ ,  $ADHSC = 1$ )

#	Characteristic	Conditions <sup>1</sup>	Symb	Min	Typ <sup>2</sup>	Max	Unit	C	Comment	
1	Total Unadjusted Error	16-bit differential mode 16-bit single-ended mode	TUE	—	±16	+24/ -24	LSB <sup>3</sup>	T	32x Hardware Averaging (AVGE = %1 AVGS = %11)	
		13-bit differential mode 12-bit single-ended mode		—	±1.5	±2.0				T
		11-bit differential mode 10-bit single-ended mode		—	±0.7	±1.0				T
		9-bit differential mode 8-bit single-ended mode		—	±0.5	±1.0				T
2	Differential Non-Linearity	16-bit differential mode 16-bit single-ended mode	DNL	—	±2.5	±3	LSB <sup>2</sup>	T		
		13-bit differential mode 12-bit single-ended mode		—	±0.7	±1				T
		11-bit differential mode 10-bit single-ended mode		—	±0.5	±0.75				T
		9-bit differential mode 8-bit single-ended mode		—	±0.2	±0.5				T
3	Integral Non-Linearity	16-bit differential mode 16-bit single-ended mode	INL	—	±6.0	±12.0	LSB <sup>2</sup>	T		
		13-bit differential mode 12-bit single-ended mode		—	±1.0	±2.0				T
		11-bit differential mode 10-bit single-ended mode		—	±0.5	±1.0				T
		9-bit differential mode 8-bit single-ended mode		—	±0.3	±0.5				T
4	Zero-Scale Error	16-bit differential mode 16-bit single-ended mode	E <sub>ZS</sub>	—	±4.0	+16/0	LSB <sup>2</sup>	T	$V_{ADIN} = V_{SSA}$	
		13-bit differential mode 12-bit single-ended mode		—	±0.7	±2.0 ±2.0				T
		11-bit differential mode 10-bit single-ended mode		—	±0.4	±1.0				T
		9-bit differential mode 8-bit single-ended mode		—	±0.2	±0.5				T

Electrical Characteristics

**Table 17. 16-bit SAR ADC Characteristics full operating range**  
 ( $V_{REFH} = V_{DDA}, \geq 2.7\text{ V}, V_{REFL} = V_{SSA}, f_{ADACK} \leq 4\text{ MHz}, ADHSC = 1$ ) (Continued)

#	Characteristic	Conditions <sup>1</sup>	Symb	Min	Typ <sup>2</sup>	Max	Unit	C	Comment
5	Full-Scale Error	16-bit differential mode 16-bit single-ended mode	$E_{FS}$	—	+8/0	+24/0	LSB <sup>2</sup>	T	$V_{ADIN} = V_{DDA}$
		13-bit differential mode 12-bit single-ended mode		—	±0.7	±2.0		T	
		11-bit differential mode 10-bit single-ended mode		—	±0.4	±1.0		T	
		9-bit differential mode 8-bit single-ended mode		—	±0.2	±0.5		T	
6	Quantization Error	16-bit modes	$E_Q$	—	-1 to 0	—	LSB <sup>2</sup>	D	
		≤13-bit modes		—	—	±0.5			
7	Effective Number of Bits	16-bit differential mode Avg=32	ENO B	14.3	14.5	—	Bits	C	$F_{in} = F_{sample}/10$ 0
		Avg=16		13.8	14.0	—			
		Avg=8		13.4	13.7	—			
		Avg=4		13.1	13.4	—			
		Avg=1		12.4	12.6	—			
8	Signal to Noise plus Distortion	See ENOB	SINA D	$SINAD = 6.02 \cdot ENOB + 1.76$			dB		
9	Total Harmonic Distortion	16-bit differential mode Avg=32	THD	—	-95.8	-90.4	dB	C	$F_{in} = F_{sample}/10$ 0
		16-bit single-ended mode Avg=32		—	—	—		D	
10	Spurious Free Dynamic Range	16-bit differential mode Avg=32	SFDR	91.0	96.5	—	dB	C	$F_{in} = F_{sample}/10$ 0
		16-bit single-ended mode Avg=32		—	—	—		D	
11	Input Leakage Error	all modes	$E_{IL}$	$I_{in} \cdot R_{AS}$			mV	D	$I_{in} =$ leakage current (refer to DC characteristics)

<sup>1</sup> All accuracy numbers assume the ADC is calibrated with  $V_{REFH}=V_{DDA}$

<sup>2</sup> Typical values assume  $V_{DDA} = 3.0\text{V}$ , Temp = 25°C,  $f_{ADCK}=2.0\text{MHz}$  unless otherwise stated. Typical values are for reference only and are not tested in production.

<sup>3</sup> 1 LSB =  $(V_{REFH} - V_{REFL})/2^N$



## 2.10 MCG and External Oscillator (XOSC) Characteristics

Table 18. MCG (Temperature Range = –40 to 105°C Ambient)

#	Rating	Symbol	Min	Typical	Max	Unit	C		
1	Internal reference startup time	$t_{irefst}$	—	55	100	$\mu\text{s}$	D		
2	Average internal reference frequency	$f_{int\_ft}$	—	factory trimmed at VDD=3.0 V and temp=25°C	31.25	—	kHz	C	
				user trimmed	31.25	—		39.0625	C
3	DCO output frequency range — trimmed	$f_{dco\_t}$	—	Low range (DRS=00)	—	20	MHz	C	
				Mid range (DRS=01)	32	—		40	C
				High range <sup>1</sup> (DRS=10)	40	—		60	C
4	Resolution of trimmed DCO output frequency at fixed voltage and temperature	$\Delta f_{dco\_res\_t}$	—	with FTRIM	$\pm 0.1$	$\pm 0.2$	% $f_{dco}$	C	
				without FTRIM	$\pm 0.2$	$\pm 0.4$		C	
5	Total deviation of trimmed DCO output frequency over voltage and temperature	$\Delta f_{dco\_t}$	—	over voltage and temperature	$\pm 1.0$	$\pm 2$	% $f_{dco}$	P	
				over fixed voltage and temp range of 0 – 70 °C	$\pm 0.5$	$\pm 1$		C	
6	Acquisition time	FLL <sup>2</sup>	$t_{fll\_acquire}$	—	—	1	ms	C	
		PLL <sup>3</sup>	$t_{pll\_acquire}$	—	—	1		D	
7	Long term Jitter of DCO output clock (averaged over 2mS interval) <sup>4</sup>	$C_{jitter}$	—	0.02	0.2	% $f_{dco}$	C		
8	VCO operating frequency	$f_{vco}$	7.0	—	55.0	MHz	D		
9	PLL reference frequency range	$f_{pll\_ref}$	1.0	—	2.0	MHz	D		
10	Jitter of PLL output clock measured over 625ns <sup>5</sup>	Long term	$f_{pll\_jitter\_625ns}$	—	0.566 <sup>4</sup>	—	% $f_{pll}$	D	
11	Lock frequency tolerance	Entry <sup>6</sup>	$D_{lock}$	$\pm 1.49$	—	$\pm 2.98$	%	D	
		Exit <sup>7</sup>	$D_{unl}$	$\pm 4.47$	—	$\pm 5.97$		D	
12	Lock time	FLL	$t_{fll\_lock}$	—	—	$t_{fll\_acquire} + 1075(1/f_{int\_t})$	s	D	
		PLL	$t_{pll\_lock}$	—	—	$t_{pll\_acquire} + 1075(1/f_{pll\_ref})$		D	
13	Loss of external clock minimum frequency - RANGE = 0	$f_{loc\_low}$	$(3/5) \times f_{int\_t}$	—	—	kHz	D		
14	Loss of external clock minimum frequency - RANGE = 1	$f_{loc\_high}$	$(16/5) \times f_{int\_t}$	—	—	kHz	D		

<sup>1</sup> This should not exceed the maximum CPU frequency for this device which is 48 MHz.

<sup>2</sup> This specification applies to any time the FLL reference source or reference divider is changed, trim value is changed, DMX32 bit is changed, DRS bit is changed, or changing from FLL disabled (BLPE, BLPI) to FLL enabled (FEI, FEE, FBE, FBI). If a crystal/resonator is being used as the reference, this specification assumes it is already running.

## Electrical Characteristics

- <sup>3</sup> This specification applies to any time the PLL VCO divider or reference divider is changed, or changing from PLL disabled (BLPE, BLPI) to PLL enabled (PBE, PEE). If a crystal/resonator is being used as the reference, this specification assumes it is already running.
- <sup>4</sup> Jitter is the average deviation from the programmed frequency measured over the specified interval at maximum  $f_{BUS}$ . Measurements are made with the device powered by filtered supplies and clocked by a stable external clock signal. Noise injected into the FLL circuitry via  $V_{DD}$  and  $V_{SS}$  and variation in crystal oscillator frequency increase the  $C_{Jitter}$  percentage for a given interval.
- <sup>5</sup> 625 ns represents 5 time quanta for CAN applications, under worst-case conditions of 8 MHz CAN bus clock, 1 Mbps CAN Bus speed, and 8 time quanta per bit for bit time settings. 5 time quanta is the minimum time between a synchronization edge and the sample point of a bit using 8 time quanta per bit.
- <sup>6</sup> Below  $D_{lock}$  minimum, the MCG is guaranteed to enter lock. Above  $D_{lock}$  maximum, the MCG will not enter lock. But if the MCG is already in lock, then the MCG may stay in lock.
- <sup>7</sup> Below  $D_{unl}$  minimum, the MCG will not exit lock if already in lock. Above  $D_{unl}$  maximum, the MCG is guaranteed to exit lock.

**Table 19. XOSC (Temperature Range = -40 to 105°C Ambient)**

#	Characteristic	Symbol	Min	Typ <sup>1</sup>	Max	Unit	C	
1	Oscillator crystal or resonator (EREFS = 1, ERCLKEN = 1)	• Low range (RANGE = 0)	$f_{lo}$	32	—	38.4	kHz	D
		• High range (RANGE = 1), • FEE or FBE mode <sup>2</sup>	$f_{hi-fill}$	1	—	5	MHz	D
		• High range (RANGE = 1), • PEE or PBE mode <sup>3</sup>	$f_{hi-pll}$	1	—	16	MHz	D
		• High range (RANGE = 1), • High gain (HGO = 1), • BLPE mode	$f_{hi-hgo}$	1	—	16	MHz	D
		• High range (RANGE = 1), • Low power (HGO = 0), • BLPE mode	$f_{hi-lp}$	1	—	8	MHz	D
2	Load capacitors	$C_1$ $C_2$	See crystal or resonator manufacturer's recommendation.				D	
3	Feedback resistor	• Low range (32 kHz to 38.4 kHz)	$R_F$	—	10	—	MΩ	D
		• High range (1 MHz to 16 MHz)	—	—	1	—		D
4	Series resistor — Low range	• Low Gain (HGO = 0)	$R_S$	—	0	—	kΩ	D
		• High Gain (HGO = 1)		—	100	—		D
5	Series resistor — High range	• Low Gain (HGO = 0)	$R_S$	—	0	—	kΩ	D
		• High Gain (HGO = 1)		—	0	0		D
		≥ 8 MHz		—	0	10		D
		4 MHz		—	0	20		D
		1 MHz	—	0	20		D	

Table 19. XOSC (Temperature Range = -40 to 105°C Ambient)

#	Characteristic	Symbol	Min	Typ <sup>1</sup>	Max	Unit	C
6	Crystal start-up time <sup>4</sup> <ul style="list-style-type: none"> <li>• Low range, low gain (RANGE = 0, HGO = 0)</li> <li>• Low range, high gain (RANGE = 0, HGO = 1)</li> <li>• High range, low gain (RANGE = 1, HGO = 0)<sup>5</sup></li> <li>• High range, high gain (RANGE = 1, HGO = 1)<sup>5</sup></li> </ul>	$t_{\text{CSTL-LP}}$	—	200	—	ms	D
		$t_{\text{CSTL-HG}_O}$	—	400	—		D
		$t_{\text{CSTH-LP}}$	—	5	—		D
		$t_{\text{CSTH-HG}_O}$	—	15	—		D

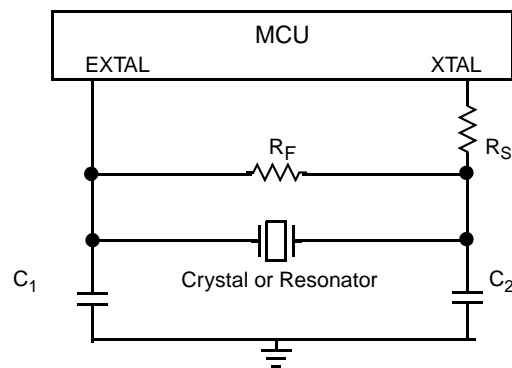
<sup>1</sup> Data in Typical column was characterized at 3.0 V, 25°C or is typical recommended value.

<sup>2</sup> When MCG is configured for FEE or FBE mode, input clock source must be divisible using RDIV to within the range of 31.25 kHz to 39.0625 kHz.

<sup>3</sup> When MCG is configured for PEE or PBE mode, input clock source must be divisible using RDIV to within the range of 1 MHz to 2 MHz.

<sup>4</sup> This parameter is characterized and not tested on each device. Proper PC board layout procedures must be followed to achieve specifications.

<sup>5</sup> 4 MHz crystal.



## 2.11 AC Characteristics

This section describes ac timing characteristics for each peripheral system.

### 2.11.1 Control Timing

Table 20. Control Timing

#	Symbol	Parameter	Min	Typical <sup>1</sup>	Max	C	Unit	
1	$f_{\text{Bus}}$	Bus frequency ( $t_{\text{cyc}} = 1/f_{\text{Bus}}$ )					MHz	
			$V_{\text{DD}} \geq 1.8 \text{ V}$	dc	—	10		D
			$V_{\text{DD}} > 2.1 \text{ V}$	dc	—	20		D
			$V_{\text{DD}} > 2.4 \text{ V}$	dc	—	24		D
2	$t_{\text{LPO}}$	Internal low-power oscillator period	700	1000	1300	P	$\mu\text{s}$	
3	$t_{\text{extrst}}$	External reset pulse width <sup>2</sup> ( $t_{\text{cyc}} = 1/f_{\text{Self\_reset}}$ )	100	—	—	D	ns	
4	$t_{\text{rstdrv}}$	Reset low drive	$66 \times t_{\text{cyc}}$	—	—	D	ns	
5	$t_{\text{MSSU}}$	Active background debug mode latch setup time	500	—	—	D	ns	
6	$t_{\text{MSH}}$	Active background debug mode latch hold time	100	—	—	D	ns	
7	$t_{\text{ILIH}}, t_{\text{IHIL}}$	IRQ pulse width <ul style="list-style-type: none"> <li>Asynchronous path<sup>2</sup></li> <li>Synchronous path<sup>3</sup></li> </ul>	100 $1.5 \times t_{\text{cyc}}$	—	—	D	ns	
8	$t_{\text{ILIH}}, t_{\text{IHIL}}$	KBIPx pulse width <ul style="list-style-type: none"> <li>Asynchronous path<sup>2</sup></li> <li>Synchronous path<sup>3</sup></li> </ul>	100 $1.5 \times t_{\text{cyc}}$	—	—	D	ns	

Table 20. Control Timing

#	Symbol	Parameter	Min	Typical <sup>1</sup>	Max	C	Unit
9	$t_{Rise}, t_{Fall}$	Port rise and fall time (load = 50 pF) <sup>4</sup> , Low Drive					ns
		Slew rate control disabled (PTxSE = 0)	—	11	—	D	
		Slew rate control enabled (PTxSE = 1)	—	35	—	D	
		Slew rate control disabled (PTxSE = 0)	—	40	—	D	
		Slew rate control enabled (PTxSE = 1)	—	75	—	D	

- <sup>1</sup> Typical values are based on characterization data at  $V_{DD} = 5.0\text{ V}$ ,  $25\text{ }^\circ\text{C}$  unless otherwise stated.
- <sup>2</sup> This is the shortest pulse that is guaranteed to be recognized as a reset pin request. Shorter pulses are not guaranteed to override reset requests from internal sources.
- <sup>3</sup> This is the minimum pulse width that is guaranteed to pass through the pin synchronization circuitry. Shorter pulses may or may not be recognized. In stop mode, the synchronizer is bypassed so shorter pulses can be recognized in that case.
- <sup>4</sup> Timing is shown with respect to 20%  $V_{DD}$  and 80%  $V_{DD}$  levels. Temperature range  $-40\text{ }^\circ\text{C}$  to  $105\text{ }^\circ\text{C}$ .

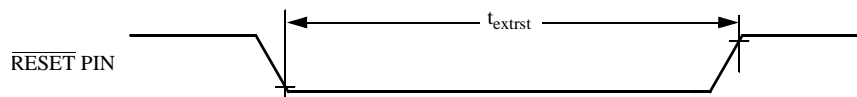


Figure 8. Reset Timing

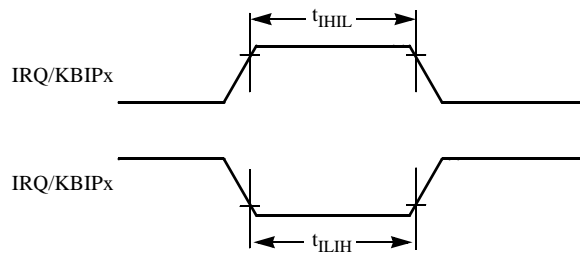


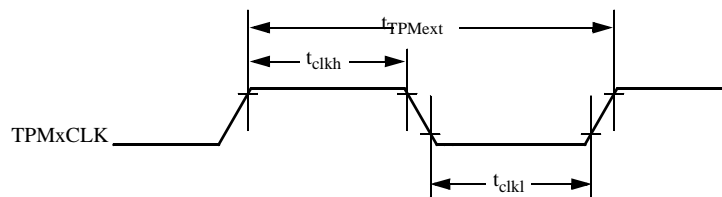
Figure 9. IRQ/KBIPx Timing

### 2.11.2 TPM Timing

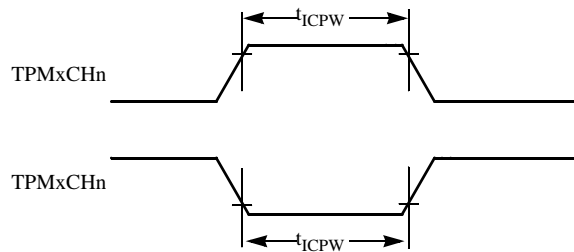
Synchronizer circuits determine the shortest input pulses that can be recognized or the fastest clock that can be used as the optional external source to the timer counter. These synchronizers operate from the current bus rate clock.

**Table 21. TPM Input Timing**

#	C	Function	Symbol	Min	Max	Unit
1	—	External clock frequency	$f_{TPMext}$	dc	$f_{Bus}/4$	MHz
2	—	External clock period	$t_{TPMext}$	4	—	$t_{cyc}$
3	D	External clock high time	$t_{clkh}$	1.5	—	$t_{cyc}$
4	D	External clock low time	$t_{ckl}$	1.5	—	$t_{cyc}$
5	D	Input capture pulse width	$t_{ICPW}$	1.5	—	$t_{cyc}$



**Figure 10. Timer External Clock**



**Figure 11. Timer Input Capture Pulse**

## 2.12 SPI Characteristics

Table 22 and Figure 12 through Figure 15 describe the timing requirements for the SPI system.

**Table 22. SPI Timing**

No. <sup>1</sup>	Characteristic <sup>2</sup>		Symbol	Min	Max	Unit	C
1	Operating frequency	Master	$f_{op}$	$f_{Bus}/2048$	$f_{Bus}/2$	Hz	D
		Slave		0	$f_{Bus}/4$	Hz	
2	SPSCK period	Master	$t_{SPSCK}$	2	2048	$t_{cyc}$	D
		Slave		4	—	$t_{cyc}$	
3	Enable lead time	Master	$t_{Lead}$	1/2	—	$t_{SPSCK}$	D
		Slave		1	—	$t_{cyc}$	
4	Enable lag time	Master	$t_{Lag}$	1/2	—	$t_{SPSCK}$	D
		Slave		1	—	$t_{cyc}$	
5	Clock (SPSCK) high or low time	Master	$t_{WSPSCK}$	$t_{cyc} - 30$	$1024 t_{cyc}$	ns	D
		Slave		$t_{cyc} - 30$	—	ns	
6	Data setup time (inputs)	Master	$t_{SU}$	15	—	ns	D
		Slave		15	—	ns	
7	Data hold time (inputs)	Master	$t_{HI}$	0	—	ns	D
		Slave		25	—	ns	
8	Slave access time <sup>3</sup>		$t_a$	—	1	$t_{cyc}$	D
9	Slave MISO disable time <sup>4</sup>		$t_{dis}$	—	1	$t_{cyc}$	D
10	Data valid (after SPSCK edge)	Master	$t_v$	—	25	ns	D
		Slave		—	25	ns	
11	Data hold time (outputs)	Master	$t_{HO}$	0	—	ns	D
		Slave		0	—	ns	
12	Rise time	Input	$t_{RI}$	—	$t_{cyc} - 25$	ns	D
		Output		$t_{RO}$	—	25	
13	Fall time	Input	$t_{FI}$	—	$t_{cyc} - 25$	ns	D
		Output		$t_{FO}$	—	25	

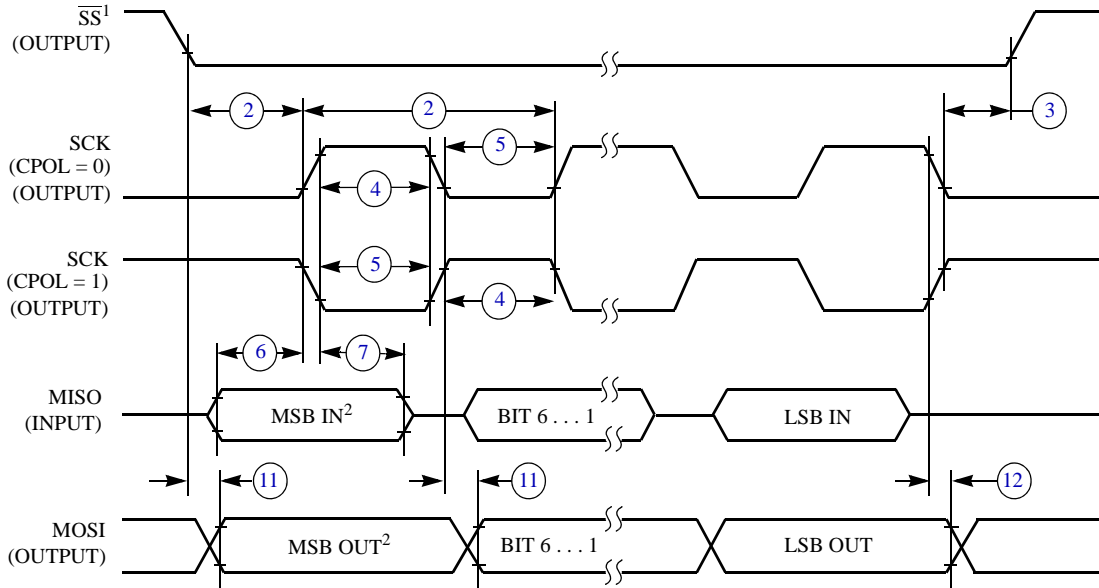
<sup>1</sup> Numbers in this column identify elements in Figure 12 through Figure 15.

<sup>2</sup> All timing is shown with respect to 20%  $V_{DD}$  and 70%  $V_{DD}$ , unless noted; 100 pF load on all SPI pins. All timing assumes slew rate control disabled and high drive strength enabled for SPI output pins.

<sup>3</sup> Time to data active from high-impedance state.

<sup>4</sup> Hold time to high-impedance state.

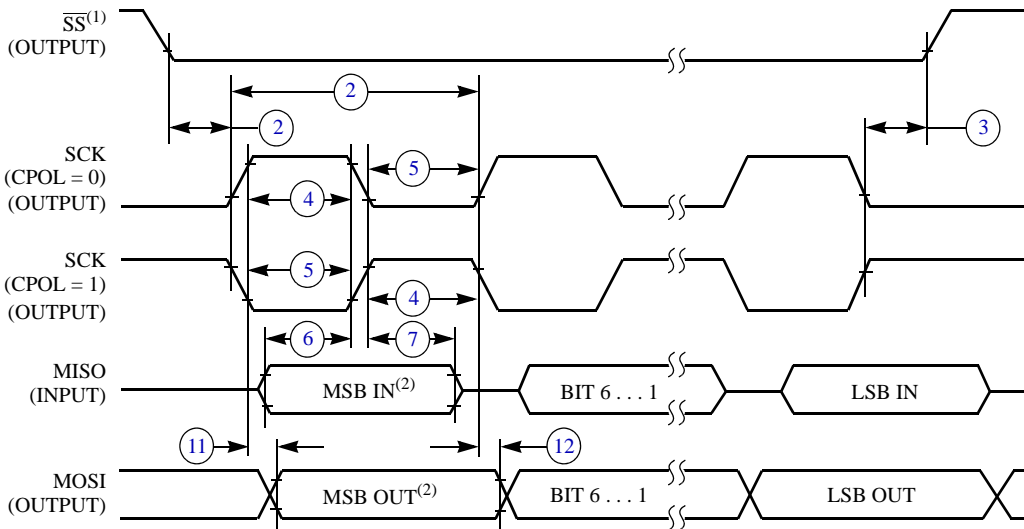
**Electrical Characteristics**



**NOTES:**

1.  $\overline{SS}$  output mode (MODFEN = 1, SSOE = 1).
2. LSBF = 0. For LSBF = 1, bit order is LSB, bit 1, ..., bit 6, MSB.

**Figure 12. SPI Master Timing (CPHA = 0)**

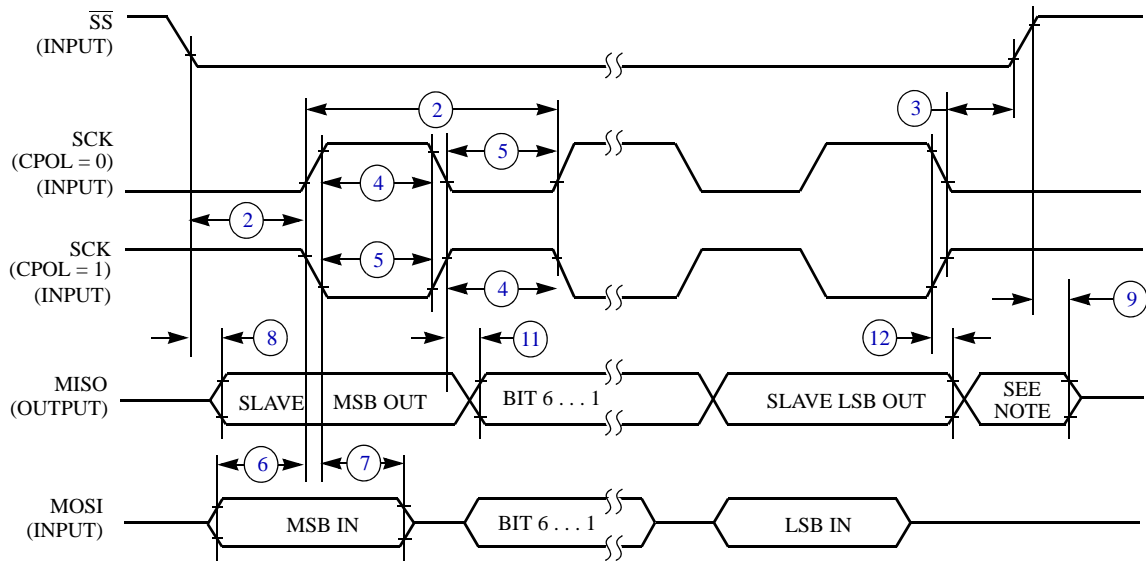


**NOTES:**

1.  $\overline{SS}$  output mode (MODFEN = 1, SSOE = 1).
2. LSBF = 0. For LSBF = 1, bit order is LSB, bit 1, ..., bit 6, MSB.

**Figure 13. SPI Master Timing (CPHA = 1)**

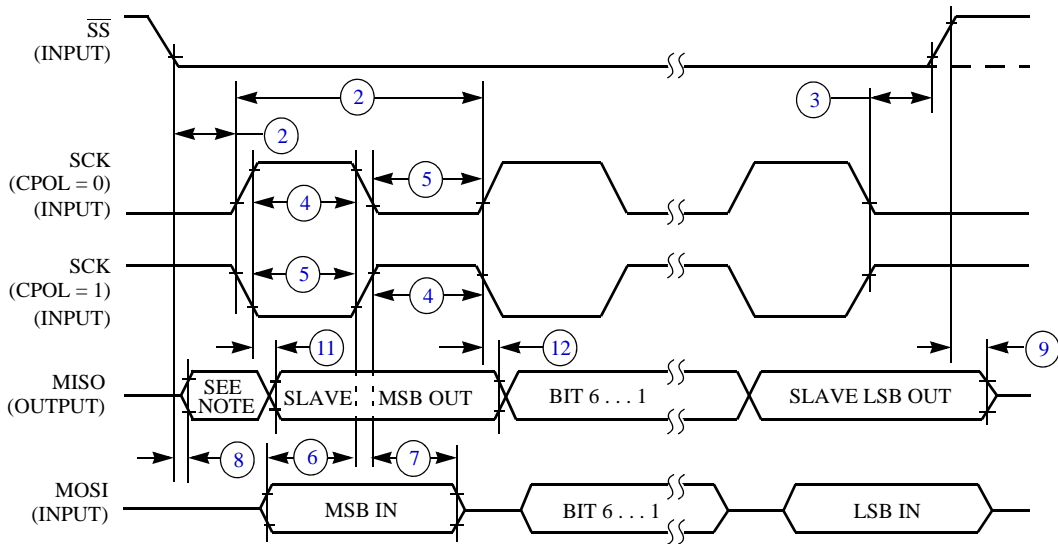




NOTE:

1. Not defined, but normally MSB of character just received

**Figure 14. SPI Slave Timing (CPHA = 0)**



NOTE:

1. Not defined, but normally LSB of character just received

**Figure 15. SPI Slave Timing (CPHA = 1)**

## 2.13 Flash Specifications

This section provides details about program/erase times and program-erase endurance for the Flash memory.

Program and erase operations do not require any special power sources other than the normal  $V_{DD}$  supply. For more detailed information about program/erase operations, see the Memory chapter in the Reference Manual for this device (MC9S08MM128RM).

**Table 23. Flash Characteristics**

#	Characteristic	Symbol	Min	Typical	Max	Unit	C
1	Supply voltage for program/erase –40°C to 105°C	$V_{\text{prog/erase}}$	1.8	—	3.6	V	D
2	Supply voltage for read operation	$V_{\text{Read}}$	1.8	—	3.6	V	D
3	Internal FCLK frequency <sup>1</sup>	$f_{\text{FCLK}}$	150	—	200	kHz	D
4	Internal FCLK period (1/FCLK)	$t_{\text{FcyC}}$	5	—	6.67	μs	D
5	Byte program time (random location) <sup>2</sup>	$t_{\text{prog}}$	9			$t_{\text{FcyC}}$	P
6	Byte program time (burst mode) <sup>2</sup>	$t_{\text{Burst}}$	4			$t_{\text{FcyC}}$	P
7	Page erase time <sup>2</sup>	$t_{\text{Page}}$	4000			$t_{\text{FcyC}}$	P
8	Mass erase time <sup>2</sup>	$t_{\text{Mass}}$	20,000			$t_{\text{FcyC}}$	P
9	Program/erase endurance <sup>3</sup> $T_L$ to $T_H$ = –40°C to + 105°C $T = 25^\circ\text{C}$		10,000 —	— 100,000	— —	cycles	C
10	Data retention <sup>4</sup>	$t_{\text{D\_ret}}$	15	100	—	years	C

<sup>1</sup> The frequency of this clock is controlled by a software setting.

<sup>2</sup> These values are hardware state machine controlled. User code does not need to count cycles. This information supplied for calculating approximate time to program and erase.

<sup>3</sup> **Typical endurance for flash** was evaluated for this product family on the HC9S12Dx64. For additional information on how Freescale defines typical endurance, please refer to Engineering Bulletin EB619, *Typical Endurance for Nonvolatile Memory*.

<sup>4</sup> **Typical data retention** values are based on intrinsic capability of the technology measured at high temperature and de-rated to 25°C using the Arrhenius equation. For additional information on how Freescale defines typical data retention, please refer to Engineering Bulletin EB618, *Typical Data Retention for Nonvolatile Memory*.

## 2.14 USB Electricals

The USB electricals for the USB On-the-Go module conform to the standards documented by the Universal Serial Bus Implementers Forum. For the most up-to-date standards, visit <http://www.usb.org>.

If the Freescale USB On-the-Go implementation has electrical characteristics that deviate from the standard or require additional information, this space would be used to communicate that information.

**Table 24. Internal USB 3.3 V Voltage Regulator Characteristics**

#	Characteristic	Symbol	Min	Typ	Max	Unit	C
1	Regulator operating voltage	$V_{\text{regin}}$	3.9	—	5.5	V	C
2	VREG output	$V_{\text{regout}}$	3	3.3	3.75	V	P
3	$V_{\text{USB33}}$ input with internal VREG disabled	$V_{\text{usb33in}}$	3	3.3	3.6	V	C
4	VREG Quiescent Current	$I_{\text{VRQ}}$	—	0.5	—	mA	C

## 2.15 VREF Electrical Specifications

Table 25. VREF Electrical Specifications

#	Characteristic	Symbol	Min	Max	Unit	C
1	Supply voltage	$V_{DDA}$	1.80	3.6	V	C
2	Temperature	$T_A$	-40	105	°C	C
3	Output Load Capacitance	$C_L$	—	100	nf	D
4	Maximum Load	—	—	10	mA	—
5	Voltage Reference Output with Factory Trim. $V_{DD} = 3$ V at 25°C.	$V_{out}$	1.140	1.160	V	P
6	Temperature Drift ( $V_{min} - V_{max}$ across the full temperature range)	$T_{drift}$	—	25	mV <sup>1</sup>	T
7	Aging Coefficient <sup>2</sup>	$A_c$	—	60	μV/year	C
8	Powered down Current (Off Mode, $V_{REFEN}=0$ , $V_{RSTEN}=0$ )	I	—	0.10	μA	C
9	Bandgap only (MODE_LV[1:0] = 00)	I	—	75	μA	T
10	Low-Power buffer (MODE_LV[1:0] = 01)	I	—	125	μA	T
11	Tight-Regulation buffer (MODE_LV[1:0] = 10)	I	—	1.1	mA	T
12	Load Regulation MODE_LV = 10	—	—	100	μV/mA	C
13	Line Regulation MODE = 1:0, Tight Regulation $V_{DD} < 2.3$ V, $\Delta V_{DDA} = 100$ mV, $V_{REFH} = 1.2$ V driven externally with $V_{REFO}$ disabled. (Power Supply Rejection)	DC	70	—	dB	C

<sup>1</sup> See typical chart that follows (Figure 16).

<sup>2</sup> Linear reliability model (1008 hours stress at 125°C = 10 years operating life) used to calculate Aging μV/year.  $V_{refo}$  data recorded per month.

Table 26. VREF Limited Range Operating Behaviors

#	Characteristic	Symbol	Min	Max	Unit	C	Notes
1	Voltage Reference Output with Factory Trim (Temperature range from 0° C to 50° C)	$V_{out}$	1.149	1.152	mV	T	
2	Temperature Drift ( $V_{min} - V_{max}$ Temperature range from 0° C to 50° C)	$T_{drift}$	—	3	mV <sup>1</sup>	T	

<sup>1</sup> See typical chart that follows (Figure 16).

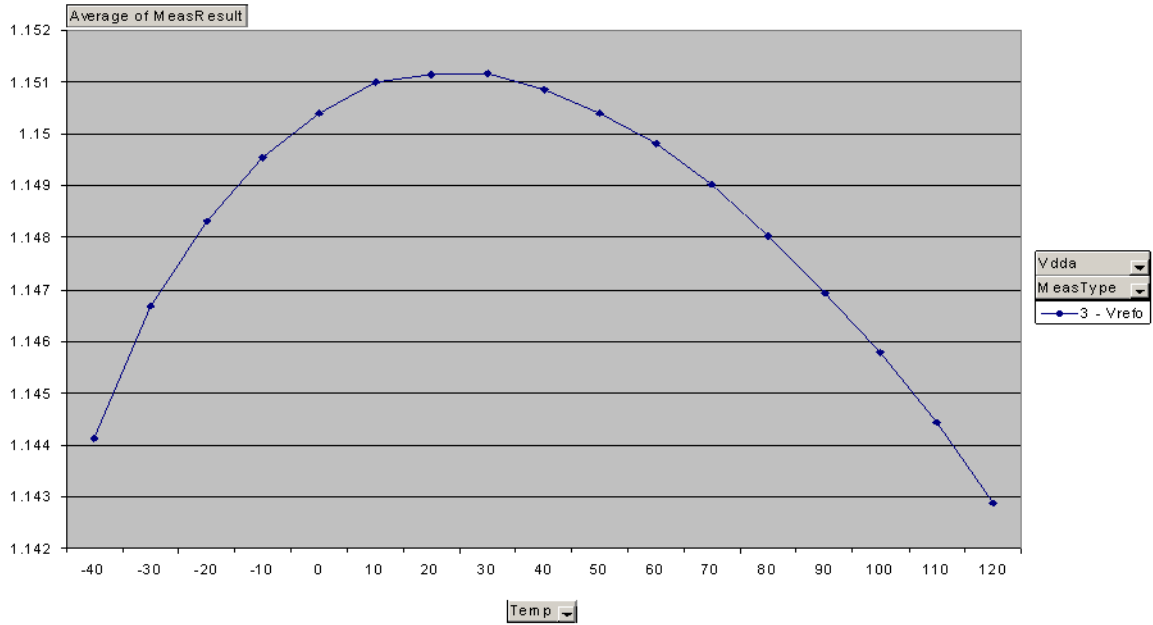


Figure 16. Typical VREF Output vs. Temperature

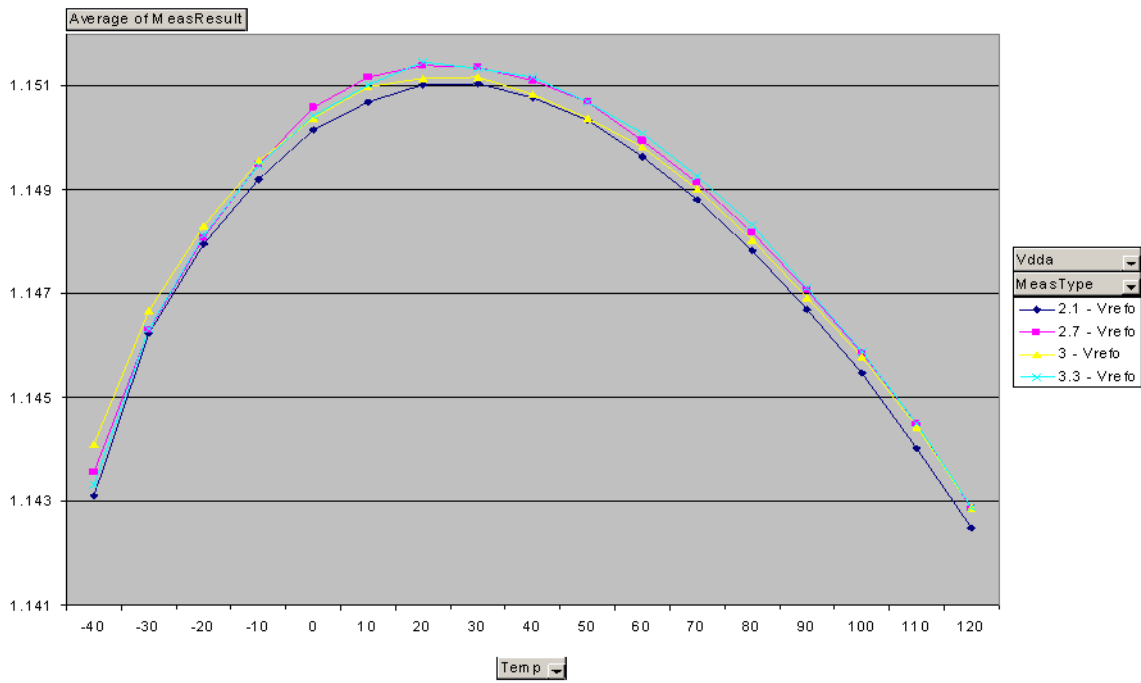


Figure 17. Typical VREF Output vs. VDD

## 2.16 TRIAMP Electrical Parameters

Table 27. TRIAMP Characteristics 1.8–3.6 V, –40°C~105°C

#	Characteristic <sup>1</sup>	Symbol	Min	Typ <sup>2</sup>	Max	Unit	C
1	Operating Voltage	$V_{DD}$	1.8	—	3.6	V	C
2	Supply Current ( $I_{OUT}=0\text{mA}$ , $CL=0$ ) Low-power mode	$I_{SUPPLY}$	—	52	60	$\mu\text{A}$	T
3	Supply Current ( $I_{OUT}=0\text{mA}$ , $CL=0$ ) High-speed mode	$I_{SUPPLY}$	—	432	480	$\mu\text{A}$	T
4	Input Offset Voltage	$V_{OS}$	—	$\pm 1$	$\pm 5$	mV	T
5	Input Offset Voltage Temperature Drift	$\alpha_{VOS}$	—	600	—	$\mu\text{V}$	T
6	Input Offset Current	$I_{OS}$	—	$\pm 120$	500	pA	T
7	Input Bias Current (0 ~ 50°C)	$I_{BIAS}$	—	< 350	< $\pm 500$	pA	T
8	Input Bias Current (–40 ~ 105°C)	$I_{BIAS}$	—	3	6.55	nA	T
9	Input Common Mode Voltage Low	$V_{CML}$	0	—	—	V	T
10	Input Common Mode Voltage High	$V_{CMH}$	—	—	$V_{DD}-1.4$	V	T
11	Input Resistance	$R_{IN}$	500	—	—	$\text{M}\Omega$	T
12	Input Capacitances	$C_{IN}$	—	—	5	pF	D
13	AC Input Impedance ( $f_{IN}=100\text{kHz}$ )	$ X_{IN} $	—	1	—	$\text{M}\Omega$	D
14	Input Common Mode Rejection Ratio	CMRR	60	70	—	dB	T
15	Power Supply Rejection Ration	PSRR	60	70	—	dB	T
16	Slew Rate ( $\Delta V_{IN}=100\text{mV}$ ) Low-power mode	SR	—	0.1	—	$\text{V}/\mu\text{s}$	T
17	Slew Rate ( $\Delta V_{IN}=100\text{mV}$ ) High-speed mode	SR	—	1	—	$\text{V}/\mu\text{s}$	T
18	Unity Gain Bandwidth (Low-power mode) 50pF	GBW	0.15	0.25	—	MHz	T
19	Unity Gain Bandwidth (High-speed mode) 50pF	GBW	—	1.6	—	MHz	T
20	DC Open Loop Voltage Gain	$A_V$	—	80	—	dB	T
21	Load Capacitance Driving Capability	$CL(\text{max})$	—	—	100	pF	T
22	Output Impedance AC Open Loop (@100 kHz Low-power mode)	$R_{OUT}$	—	1.4	—	$\text{k}\Omega$	D
23	Output Impedance AC Open Loop (@100 kHz High-speed mode)	$R_{OUT}$	—	184	—	$\Omega$	D
24	Output Voltage Range	triout	0.15	—	$V_{DD}-0.15$	V	T
25	Output Drive Capability	$I_{OUT}$	—	$\pm 1.0$	—	mA	T
26	Gain Margin	GM	20	—	—	dB	D
27	Phase Margin	PM	45	55	—	deg	T
28	Input Voltage Noise Density	$f=1\text{kHz}$	—	160	—	$\text{nV}/\sqrt{\text{Hz}}$	T

<sup>1</sup> All parameters are measured at 3.0 V,  $CL=47\text{pF}$  across temperature –40 to + 105 °C unless specified.

<sup>2</sup> Data in Typical column was characterized at 3.0 V, 25°C or is typical recommended value.

## 2.17 OPAMP Electrical Parameters

Table 28. OPAMP Characteristics 1.8–3.6 V

#	Characteristics <sup>1</sup>	Symbol	Min	Typ <sup>2</sup>	Max	Unit	C
1	Operating Voltage	$V_{DD}$	1.8	—	3.6	V	C
2	Supply Current ( $I_{OUT}=0mA$ , $CL=0$ Low-Power mode)	$I_{SUPPLY}$	—	67	80	$\mu A$	T
3	Supply Current ( $I_{OUT}=0mA$ , $CL=0$ High-Speed mode)	$I_{SUPPLY}$	—	538	550	$\mu A$	T
4	Input Offset Voltage	$V_{OS}$	—	$\pm 2$	$\pm 6$	mV	T
5	Input Offset Voltage Temperature Coefficient	$\alpha_{VOS}$	—	10	—	$\mu V/C$	T
6	Input Offset Current ( $-40^{\circ}C$ to $105^{\circ}C$ )	$I_{OS}$	—	$\pm 2.5$	$\pm 250$	nA	T
7	Input Offset Current ( $-40^{\circ}C$ to $50^{\circ}C$ )	$I_{OS}$	—	—	45	nA	T
8	Positive Input Bias Current ( $-40^{\circ}C$ to $105^{\circ}C$ )	$I_{BIAS}$	—	0.8	3.5	nA	T
9	Positive Input Bias Current ( $-40^{\circ}C$ to $50^{\circ}C$ )	$I_{BIAS}$	—	—	$\pm 2$	nA	T
10	Negative Input Bias Current ( $-40^{\circ}C$ to $105^{\circ}C$ )	$I_{BIAS}$	—	2.5	250	nA	T
11	Negative Input Bias Current ( $-40^{\circ}C$ to $50^{\circ}C$ )	$I_{BIAS}$	—	—	45	nA	T
12	Input Common Mode Voltage Low	$V_{CML}$	0.1	—	—	V	T
13	Input Common Mode Voltage High	$V_{CMH}$	—	—	$V_{DD}$	V	T
14	Input Resistance	$R_{IN}$	—	500	—	$M\Omega$	T
15	Input Capacitances	$C_{IN}$	—	—	10	pF	D
16	AC Input Impedance ( $f_{IN}=100kHz$ Negative Channel)	$ X_{IN} $	—	52	—	$k\Omega$	D
17	AC Input Impedance ( $f_{IN}=100kHz$ Positive Channel)	$ X_{IN} $	—	132	—	$k\Omega$	D
18	Input Common Mode Rejection Ratio	CMRR	55	65	—	dB	T
19	Power Supply Rejection Ratio	PSRR	60	65	—	dB	T
20	Slew Rate ( $\Delta V_{IN}=100mV$ Low-Power mode)	SR	0.1	—	—	$V/\mu s$	T
21	Slew Rate ( $\Delta V_{IN}=100mV$ High-Speed mode)	SR	1	—	—	$V/\mu s$	T
22	Unity Gain Bandwidth (Low-Power mode)	GBW	0.2	—	—	MHz	T
23	Unity Gain Bandwidth (High-Speed mode)	GBW	1	—	—	MHz	T
24	DC Open Loop Voltage Gain	$A_V$	80	90	—	dB	T
25	Load Capacitance Driving Capability	$CL(max)$	—	—	100	pF	T
26	Output Impedance AC Open Loop (@ 100 kHz Low-Power mode)	$R_{OUT}$	—	4k	—	$\Omega$	D
27	Output Impedance AC Open Loop (@ 100 kHz High-Speed mode)	$R_{OUT}$	—	220	—	$\Omega$	D
28	Output Voltage Range	$V_{OUT}$	0.15	—	$V_{DD}-0.1$ 5	V	T
29	Output Drive Capability	$I_{OUT}$	$\pm 0.5$	$\pm 1.0$	—	mA	T
30	Gain Margin	GM	20	—	—	dB	D
31	Phase Margin	PM	45	55	—	deg	T

**Table 28. OPAMP Characteristics 1.8–3.6 V (Continued)**

#	Characteristics <sup>1</sup>	Symbol	Min	Typ <sup>2</sup>	Max	Unit	C
32	GPAMP startup time (Low-Power mode) (Tolerance < 1%, V <sub>in</sub> = 0.5 V <sub>p-p</sub> , CL = 25 pF, RL = 100k)	T <sub>startup</sub>	—	4	—	uS	T
33	GPAMP startup time (Low-Power mode) (Tolerance < 1%, V <sub>in</sub> = 0.5 V <sub>p-p</sub> , CL = 25 pF, RL = 100k)	T <sub>startup</sub>	—	1	—	uS	T
34	Input Voltage Noise Density	f=1 kHz	—	250	—	nV/ $\sqrt{\text{Hz}}$	T

<sup>1</sup> All parameters are measured at 3.3 V, CL = 4.7 pF across temperature -40 to + 105°C unless specified.

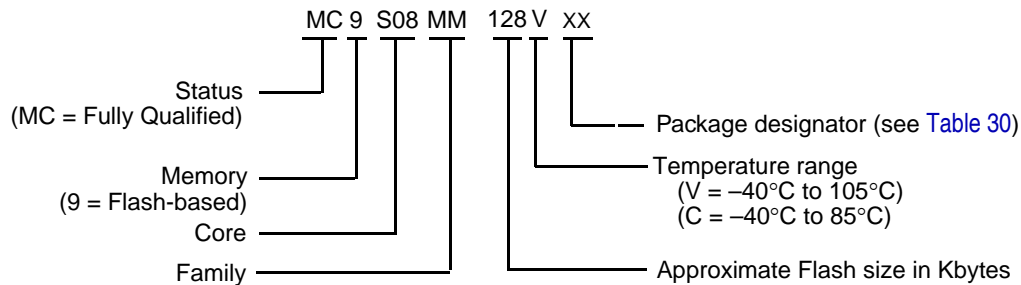
<sup>2</sup> Data in Typical column was characterized at 3.0 V, 25°C or is typical recommended value.

### 3 Ordering Information

This appendix contains ordering information for the device numbering system. MC9S08MM128 and MC9S08MM64 devices.

#### 3.1 Device Numbering System

Example of the device numbering system:



**Table 29. Device Numbering System**

Device Number <sup>1</sup>	Memory		Available Packages <sup>2</sup>
	Flash	RAM	
MC9S08MM128	131,072	12,288	64 LQFP
	131,072	12,288	80 LQFP
	131,072	12,288	81 MAPBGA
MC9S08MM64	65,536	12,288	64 LQFP
MC9S08MM32	32768	4096	64 LQFP
MC9S08MM32A	32768	2048	64 LQFP

<sup>1</sup> See Table 2 for a complete description of modules included on each device.

<sup>2</sup> See Table 30 for package information.



## 3.2 Package Information

**Table 30. Package Descriptions**

Pin Count	Package Type	Abbreviation	Designator	Case No.	Document No.
64	Low Quad Flat Package	LQFP	LH	840F-02	<a href="#">98ASS23234W</a>
80	Low Quad Flat Package	LQFP	LK	917-01	<a href="#">98ASS23174W</a>
81	MAPBGA Package	Map PBGA	MB	1662-01	<a href="#">98ASA10670D</a>

## 3.3 Mechanical Drawings

Table 30 provides the available package types and their document numbers. The latest package outline/mechanical drawings are available on the MC9S08MM128 series Product Summary pages at <http://www.freescale.com>.

To view the latest drawing, either:

- Click on the appropriate link in Table 30, or
- Open a browser to the Freescale® website (<http://www.freescale.com>), and enter the appropriate document number (from Table 30) in the “Enter Keyword” search box at the top of the page.

## 4 Revision History

**Table 31. Revision History**

Rev	Date	Description of Changes
0	06/2009	Initial release of the Data Sheet.
1	07/2009	Updated MCG and XOSC Average internal reference frequency.
2	01/2010	Revised to include MC9S08MM32 and MC9S08MM32A devices. Updated electrical characteristic data.
3	10/2010	Updated with the latest characteristic data. Added several figures. Added the ADC Typical Operation table.





## How to Reach Us:

### Home Page:

[www.freescale.com](http://www.freescale.com)

### E-mail:

[support@freescale.com](mailto:support@freescale.com)

### USA/Europe or Locations Not Listed:

Freescale Semiconductor  
Technical Information Center, CH370  
1300 N. Alma School Road  
Chandler, Arizona 85224  
+1-800-521-6274 or +1-480-768-2130  
[support@freescale.com](mailto:support@freescale.com)

### Europe, Middle East, and Africa:

Freescale Halbleiter Deutschland GmbH  
Technical Information Center  
Schatzbogen 7  
81829 Muenchen, Germany  
+44 1296 380 456 (English)  
+46 8 52200080 (English)  
+49 89 92103 559 (German)  
+33 1 69 35 48 48 (French)  
[support@freescale.com](mailto:support@freescale.com)

### Japan:

Freescale Semiconductor Japan Ltd.  
Headquarters  
ARCO Tower 15F  
1-8-1, Shimo-Meguro, Meguro-ku,  
Tokyo 153-0064  
Japan  
0120 191014 or +81 3 5437 9125  
[support.japan@freescale.com](mailto:support.japan@freescale.com)

### Asia/Pacific:

Freescale Semiconductor China Ltd.  
Exchange Building 23F  
No. 118 Jianguo Road  
Chaoyang District  
Beijing 100022  
China  
+86 10 5879 8000  
[support.asia@freescale.com](mailto:support.asia@freescale.com)

### For Literature Requests Only:

Freescale Semiconductor Literature Distribution Center  
<http://compass.freescale.net/go/168063291>  
1-800-441-2447 or 1-303-675-2140  
Fax: 1-303-675-2150  
[LDCForFreescaleSemiconductor@hibbertgroup.com](mailto:LDCForFreescaleSemiconductor@hibbertgroup.com)

Information in this document is provided solely to enable system and software implementers to use Freescale Semiconductor products. There are no express or implied copyright licenses granted hereunder to design or fabricate any integrated circuits or integrated circuits based on the information in this document.

Freescale Semiconductor reserves the right to make changes without further notice to any products herein. Freescale Semiconductor makes no warranty, representation or guarantee regarding the suitability of its products for any particular purpose, nor does Freescale Semiconductor assume any liability arising out of the application or use of any product or circuit, and specifically disclaims any and all liability, including without limitation consequential or incidental damages. "Typical" parameters that may be provided in Freescale Semiconductor data sheets and/or specifications can and do vary in different applications and actual performance may vary over time. All operating parameters, including "Typicals", must be validated for each customer application by customer's technical experts. Freescale Semiconductor does not convey any license under its patent rights nor the rights of others. Freescale Semiconductor products are not designed, intended, or authorized for use as components in systems intended for surgical implant into the body, or other applications intended to support or sustain life, or for any other application in which the failure of the Freescale Semiconductor product could create a situation where personal injury or death may occur. Should Buyer purchase or use Freescale Semiconductor products for any such unintended or unauthorized application, Buyer shall indemnify and hold Freescale Semiconductor and its officers, employees, subsidiaries, affiliates, and distributors harmless against all claims, costs, damages, and expenses, and reasonable attorney fees arising out of, directly or indirectly, any claim of personal injury or death associated with such unintended or unauthorized use, even if such claim alleges that Freescale Semiconductor was negligent regarding the design or manufacture of the part.

Freescale™ and the Freescale logo are trademarks of Freescale Semiconductor, Inc. All other product or service names are the property of their respective owners.

© Freescale Semiconductor, Inc. 2009-2010. All rights reserved.