

# MPC8548E PowerQUICC III Integrated Processor Hardware Specifications

## 1 Overview

This section provides a high-level overview of the device features. The following figure shows the major functional units within the device.

Although this document is written from the perspective of the MPC8548E, most of the material applies to the other family members, such as MPC8547E, MPC8545E, and MPC8543E. When specific differences occur, such as pinout differences and processor frequency ranges, they are identified as such.

For specific PVR and SVR numbers, see the *MPC8548E PowerQUICC III Integrated Host Processor Reference Manual*.

### Contents

1. Overview	1
2. Electrical Characteristics	10
3. Power Characteristics	15
4. Input Clocks	16
5. RESET Initialization	19
6. DDR and DDR2 SDRAM	20
7. DUART	26
8. Enhanced Three-Speed Ethernet (eTSEC)	27
9. Ethernet Management Interface Electrical Characteristics	41
10. Local Bus	43
11. Programmable Interrupt Controller	53
12. JTAG	53
13. I <sup>2</sup> C	56
14. GPOUT/GPIN	59
15. PCI/PCI-X	60
16. High-Speed Serial Interfaces (HSSI)	65
17. PCI Express	73
18. Serial RapidIO	81
19. Package Description	91
20. Clocking	130
21. Thermal	134
22. System Design Information	135
23. Ordering Information	145
24. Document Revision History	148

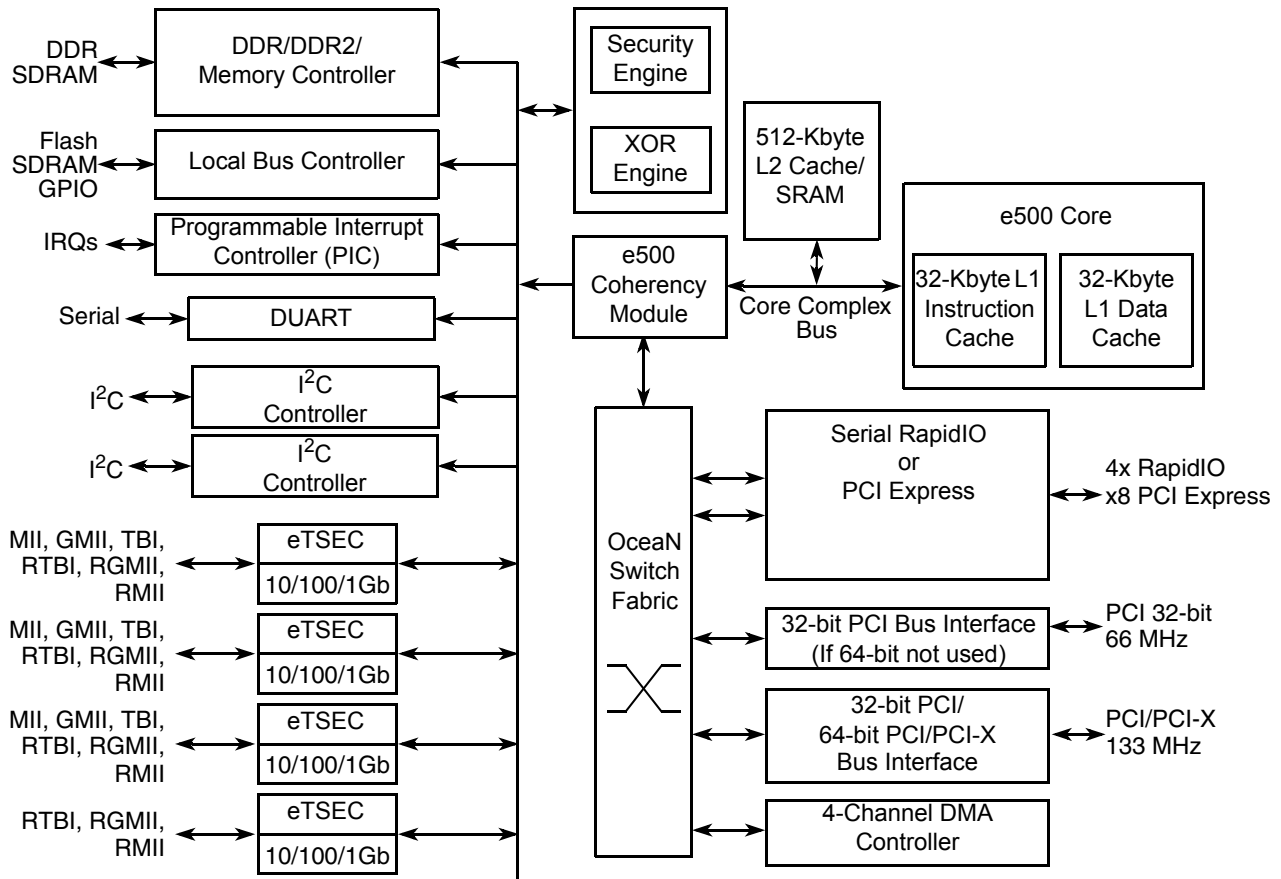


Figure 1. Device Block Diagram

## 1.1 Key Features

The following list provides an overview of the device feature set:

- High-performance 32-bit core built on Power Architecture® technology.
  - 32-Kbyte L1 instruction cache and 32-Kbyte L1 data cache with parity protection. Caches can be locked entirely or on a per-line basis, with separate locking for instructions and data.
  - Signal-processing engine (SPE) APU (auxiliary processing unit). Provides an extensive instruction set for vector (64-bit) integer and fractional operations. These instructions use both the upper and lower words of the 64-bit GPRs as they are defined by the SPE APU.
  - Double-precision floating-point APU. Provides an instruction set for double-precision (64-bit) floating-point instructions that use the 64-bit GPRs.
  - 36-bit real addressing
  - Embedded vector and scalar single-precision floating-point APUs. Provide an instruction set for single-precision (32-bit) floating-point instructions.
  - Memory management unit (MMU). Especially designed for embedded applications. Supports 4-Kbyte to 4-Gbyte page sizes.
  - Enhanced hardware and software debug support

- Performance monitor facility that is similar to, but separate from, the device performance monitor

The e500 defines features that are not implemented on this device. It also generally defines some features that this device implements more specifically. An understanding of these differences can be critical to ensure proper operations.

- 512-Kbyte L2 cache/SRAM
  - Flexible configuration.
  - Full ECC support on 64-bit boundary in both cache and SRAM modes
  - Cache mode supports instruction caching, data caching, or both.
  - External masters can force data to be allocated into the cache through programmed memory ranges or special transaction types (stashing).
  - 1, 2, or 4 ways can be configured for stashing only.
  - Eight-way set-associative cache organization (32-byte cache lines)
  - Supports locking entire cache or selected lines. Individual line locks are set and cleared through Book E instructions or by externally mastered transactions.
  - Global locking and Flash clearing done through writes to L2 configuration registers
  - Instruction and data locks can be Flash cleared separately.
  - SRAM features include the following:
    - I/O devices access SRAM regions by marking transactions as snoopable (global).
    - Regions can reside at any aligned location in the memory map.
    - Byte-accessible ECC is protected using read-modify-write transaction accesses for smaller-than-cache-line accesses.
- Address translation and mapping unit (ATMU)
  - Eight local access windows define mapping within local 36-bit address space.
  - Inbound and outbound ATMUs map to larger external address spaces.
    - Three inbound windows plus a configuration window on PCI/PCI-X and PCI Express
    - Four inbound windows plus a default window on RapidIO™
    - Four outbound windows plus default translation for PCI/PCI-X and PCI Express
    - Eight outbound windows plus default translation for RapidIO with segmentation and sub-segmentation support
- DDR/DDR2 memory controller
  - Programmable timing supporting DDR and DDR2 SDRAM
  - 64-bit data interface
  - Four banks of memory supported, each up to 4 Gbytes, to a maximum of 16 Gbytes
  - DRAM chip configurations from 64 Mbits to 4 Gbits with  $\times 8/\times 16$  data ports
  - Full ECC support
  - Page mode support
    - Up to 16 simultaneous open pages for DDR

- Up to 32 simultaneous open pages for DDR2
- Contiguous or discontiguous memory mapping
- Read-modify-write support for RapidIO atomic increment, decrement, set, and clear transactions
- Sleep mode support for self-refresh SDRAM
- On-die termination support when using DDR2
- Supports auto refreshing
- On-the-fly power management using CKE signal
- Registered DIMM support
- Fast memory access via JTAG port
- 2.5-V SSTL\_2 compatible I/O (1.8-V SSTL\_1.8 for DDR2)
- Support for battery-backed main memory
- Programmable interrupt controller (PIC)
  - Programming model is compliant with the OpenPIC architecture.
  - Supports 16 programmable interrupt and processor task priority levels
  - Supports 12 discrete external interrupts
  - Supports 4 message interrupts with 32-bit messages
  - Supports connection of an external interrupt controller such as the 8259 programmable interrupt controller
  - Four global high-resolution timers/counters that can generate interrupts
  - Supports a variety of other internal interrupt sources
  - Supports fully nested interrupt delivery
  - Interrupts can be routed to external pin for external processing.
  - Interrupts can be routed to the e500 core's standard or critical interrupt inputs.
  - Interrupt summary registers allow fast identification of interrupt source.
- Integrated security engine (SEC) optimized to process all the algorithms associated with IPSec, IKE, WTLS/WAP, SSL/TLS, and 3GPP
  - Four crypto-channels, each supporting multi-command descriptor chains
    - Dynamic assignment of crypto-execution units via an integrated controller
    - Buffer size of 256 bytes for each execution unit, with flow control for large data sizes
  - PKEU—public key execution unit
    - RSA and Diffie-Hellman; programmable field size up to 2048 bits
    - Elliptic curve cryptography with  $F_2^m$  and  $F(p)$  modes and programmable field size up to 511 bits
  - DEU—Data Encryption Standard execution unit
    - DES, 3DES
    - Two key (K1, K2) or three key (K1, K2, K3)
    - ECB and CBC modes for both DES and 3DES

- AESU—Advanced Encryption Standard unit
  - Implements the Rijndael symmetric key cipher
  - ECB, CBC, CTR, and CCM modes
  - 128-, 192-, and 256-bit key lengths
- AFEU—ARC four execution unit
  - Implements a stream cipher compatible with the RC4 algorithm
  - 40- to 128-bit programmable key
- MDEU—message digest execution unit
  - SHA with 160- or 256-bit message digest
  - MD5 with 128-bit message digest
  - HMAC with either algorithm
- KEU—Kasumi execution unit
  - Implements F8 algorithm for encryption and F9 algorithm for integrity checking
  - Also supports A5/3 and GEA-3 algorithms
- RNG—random number generator
- XOR engine for parity checking in RAID storage applications
- Dual I<sup>2</sup>C controllers
  - Two-wire interface
  - Multiple master support
  - Master or slave I<sup>2</sup>C mode support
  - On-chip digital filtering rejects spikes on the bus
- Boot sequencer
  - Optionally loads configuration data from serial ROM at reset via the I<sup>2</sup>C interface
  - Can be used to initialize configuration registers and/or memory
  - Supports extended I<sup>2</sup>C addressing mode
  - Data integrity checked with preamble signature and CRC
- DUART
  - Two 4-wire interfaces (SIN, SOUT,  $\overline{\text{RTS}}$ ,  $\overline{\text{CTS}}$ )
  - Programming model compatible with the original 16450 UART and the PC16550D
- Local bus controller (LBC)
  - Multiplexed 32-bit address and data bus operating at up to 133 MHz
  - Eight chip selects support eight external slaves
  - Up to eight-beat burst transfers
  - The 32-, 16-, and 8-bit port sizes are controlled by an on-chip memory controller.
  - Three protocol engines available on a per chip select basis:
    - General-purpose chip select machine (GPCM)
    - Three user programmable machines (UPMs)

- Dedicated single data rate SDRAM controller
- Parity support
- Default boot ROM chip select with configurable bus width (8, 16, or 32 bits)
- Four enhanced three-speed Ethernet controllers (eTSECs)
  - Three-speed support (10/100/1000 Mbps)
  - Four controllers designed to comply with IEEE Std. 802.3<sup>®</sup>, 802.3u, 802.3x, 802.3z, 802.3ac, and 802.3ab
  - Support for various Ethernet physical interfaces:
    - 1000 Mbps full-duplex IEEE 802.3 GMII, IEEE 802.3z TBI, RTBI, and RGMII
    - 10/100 Mbps full and half-duplex IEEE 802.3 MII, IEEE 802.3 RGMII, and RMII
  - Flexible configuration for multiple PHY interface configurations. See [Section 8.1, “Enhanced Three-Speed Ethernet Controller \(eTSEC\) \(10/100/1Gb Mbps\)—GMII/MII/TBI/RGMII/RTBI/RMII Electrical Characteristics,”](#) for more information.
  - TCP/IP acceleration and QoS features available
    - IP v4 and IP v6 header recognition on receive
    - IP v4 header checksum verification and generation
    - TCP and UDP checksum verification and generation
    - Per-packet configurable acceleration
    - Recognition of VLAN, stacked (queue in queue) VLAN, IEEE Std 802.2<sup>™</sup>, PPPoE session, MPLS stacks, and ESP/AH IP-security headers
    - Supported in all FIFO modes
  - Quality of service support:
    - Transmission from up to eight physical queues
    - Reception to up to eight physical queues
  - Full- and half-duplex Ethernet support (1000 Mbps supports only full duplex):
    - IEEE 802.3 full-duplex flow control (automatic PAUSE frame generation or software-programmed PAUSE frame generation and recognition)
  - Programmable maximum frame length supports jumbo frames (up to 9.6 Kbytes) and IEEE Std. 802.1<sup>™</sup> virtual local area network (VLAN) tags and priority
  - VLAN insertion and deletion
    - Per-frame VLAN control word or default VLAN for each eTSEC
    - Extracted VLAN control word passed to software separately
  - Retransmission following a collision
  - CRC generation and verification of inbound/outbound frames
  - Programmable Ethernet preamble insertion and extraction of up to 7 bytes
  - MAC address recognition:
    - Exact match on primary and virtual 48-bit unicast addresses

- VRRP and HSRP support for seamless router fail-over
- Up to 16 exact-match MAC addresses supported
- Broadcast address (accept/reject)
- Hash table match on up to 512 multicast addresses
- Promiscuous mode
- Buffer descriptors backward compatible with MPC8260 and MPC860T 10/100 Ethernet programming models
- RMON statistics support
- 10-Kbyte internal transmit and 2-Kbyte receive FIFOs
- MII management interface for control and status
- Ability to force allocation of header information and buffer descriptors into L2 cache
- OCeaN switch fabric
  - Full crossbar packet switch
  - Reorders packets from a source based on priorities
  - Reorders packets to bypass blocked packets
  - Implements starvation avoidance algorithms
  - Supports packets with payloads of up to 256 bytes
- Integrated DMA controller
  - Four-channel controller
  - All channels accessible by both the local and remote masters
  - Extended DMA functions (advanced chaining and striding capability)
  - Support for scatter and gather transfers
  - Misaligned transfer capability
  - Interrupt on completed segment, link, list, and error
  - Supports transfers to or from any local memory or I/O port
  - Selectable hardware-enforced coherency (snoop/no snoop)
  - Ability to start and flow control each DMA channel from external 3-pin interface
  - Ability to launch DMA from single write transaction
- Two PCI/PCI-X controllers
  - PCI 2.2 and PCI-X 1.0 compatible
  - One 32-/64-bit PCI/PCI-X port with support for speeds of up to 133 MHz (maximum PCI-X frequency in synchronous mode is 110 MHz)
  - One 32-bit PCI port with support for speeds from 16 to 66 MHz (available when the other port is in 32-bit mode)
  - Host and agent mode support
  - 64-bit dual address cycle (DAC) support
  - PCI-X supports multiple split transactions
  - Supports PCI-to-memory and memory-to-PCI streaming

- Memory prefetching of PCI read accesses
- Supports posting of processor-to-PCI and PCI-to-memory writes
- PCI 3.3-V compatible
- Selectable hardware-enforced coherency
- Serial RapidIO™ interface unit
  - Supports *RapidIO™ Interconnect Specification, Revision 1.2*
  - Both 1× and 4× LP-serial link interfaces
  - Long- and short-haul electricals with selectable pre-compensation
  - Transmission rates of 1.25, 2.5, and 3.125 Gbaud (data rates of 1.0, 2.0, and 2.5 Gbps) per lane
  - Auto detection of 1- and 4-mode operation during port initialization
  - Link initialization and synchronization
  - Large and small size transport information field support selectable at initialization time
  - 34-bit addressing
  - Up to 256 bytes data payload
  - All transaction flows and priorities
  - Atomic set/clr/inc/dec for read-modify-write operations
  - Generation of IO\_READ\_HOME and FLUSH with data for accessing cache-coherent data at a remote memory system
  - Receiver-controlled flow control
  - Error detection, recovery, and time-out for packets and control symbols as required by the RapidIO specification
  - Register and register bit extensions as described in part VIII (Error Management) of the RapidIO specification
  - Hardware recovery only
  - Register support is not required for software-mediated error recovery.
  - Accept-all mode of operation for fail-over support
  - Support for RapidIO error injection
  - Internal LP-serial and application interface-level loopback modes
  - Memory and PHY BIST for at-speed production test
- RapidIO-compatible message unit
  - 4 Kbytes of payload per message
  - Up to sixteen 256-byte segments per message
  - Two inbound data message structures within the inbox
  - Capable of receiving three letters at any mailbox
  - Two outbound data message structures within the outbox
  - Capable of sending three letters simultaneously
  - Single segment multicast to up to 32 devIDs
  - Chaining and direct modes in the outbox



- Single inbound doorbell message structure
- Facility to accept port-write messages
- PCI Express interface
  - PCI Express 1.0a compatible
  - Supports x8,x4,x2, and x1 link widths
  - Auto-detection of number of connected lanes
  - Selectable operation as root complex or endpoint
  - Both 32- and 64-bit addressing
  - 256-byte maximum payload size
  - Virtual channel 0 only
  - Traffic class 0 only
  - Full 64-bit decode with 32-bit wide windows
- Pin multiplexing for the high-speed I/O interfaces supports one of the following configurations:
  - 8 PCI Express
  - 4 PCI Express and 4 serial RapidIO
- Power management
  - Supports power saving modes: doze, nap, and sleep
  - Employs dynamic power management, which automatically minimizes power consumption of blocks when they are idle
- System performance monitor
  - Supports eight 32-bit counters that count the occurrence of selected events
  - Ability to count up to 512 counter-specific events
  - Supports 64 reference events that can be counted on any of the eight counters
  - Supports duration and quantity threshold counting
  - Burstiness feature that permits counting of burst events with a programmable time between bursts
  - Triggering and chaining capability
  - Ability to generate an interrupt on overflow
- System access port
  - Uses JTAG interface and a TAP controller to access entire system memory map
  - Supports 32-bit accesses to configuration registers
  - Supports cache-line burst accesses to main memory
  - Supports large block (4-Kbyte) uploads and downloads
  - Supports continuous bit streaming of entire block for fast upload and download
- JTAG boundary scan, designed to comply with IEEE Std. 1149.1™

## 2 Electrical Characteristics

This section provides the AC and DC electrical specifications and thermal characteristics for the device. This device is currently targeted to these specifications. Some of these specifications are independent of the I/O cell, but are included for a more complete reference. These are not purely I/O buffer design specifications.

### 2.1 Overall DC Electrical Characteristics

This section covers the ratings, conditions, and other characteristics.

#### 2.1.1 Absolute Maximum Ratings

The following table provides the absolute maximum ratings.

**Table 1. Absolute Maximum Ratings <sup>1</sup>**

Characteristic		Symbol	Max Value	Unit	Notes
Core supply voltage		$V_{DD}$	-0.3 to 1.21	V	—
PLL supply voltage		$AV_{DD}$	-0.3 to 1.21	V	—
Core power supply for SerDes transceivers		$SV_{DD}$	-0.3 to 1.21	V	—
Pad power supply for SerDes transceivers		$XV_{DD}$	-0.3 to 1.21	V	—
DDR and DDR2 DRAM I/O voltage		$GV_{DD}$	-0.3 to 2.75 -0.3 to 1.98	V	2
Three-speed Ethernet I/O voltage		$LV_{DD}$ (for eTSEC1 and eTSEC2)	-0.3 to 3.63 -0.3 to 2.75	V	3
		$TV_{DD}$ (for eTSEC3 and eTSEC4)	-0.3 to 3.63 -0.3 to 2.75		
PCI/PCI-X, DUART, system control and power management, I <sup>2</sup> C, Ethernet MII management, and JTAG I/O voltage		$OV_{DD}$	-0.3 to 3.63	V	—
Local bus I/O voltage		$BV_{DD}$	-0.3 to 3.63 -0.3 to 2.75	V	—
Input voltage	DDR/DDR2 DRAM signals	$MV_{IN}$	-0.3 to ( $GV_{DD} + 0.3$ )	V	4
	DDR/DDR2 DRAM reference	$MV_{REF}$	-0.3 to ( $GV_{DD}/2 + 0.3$ )	V	—
	Three-speed Ethernet I/O signals	$LV_{IN}$ $TV_{IN}$	-0.3 to ( $LV_{DD} + 0.3$ ) -0.3 to ( $TV_{DD} + 0.3$ )	V	4
	Local bus signals	$BV_{IN}$	-0.3 to ( $BV_{DD} + 0.3$ )	—	—
	DUART, SYSCLK, system control and power management, I <sup>2</sup> C, Ethernet MII management, and JTAG signals	$OV_{IN}$	-0.3 to ( $OV_{DD} + 0.3$ )	V	4
	PCI/PCI-X	$OV_{IN}$	-0.3 to ( $OV_{DD} + 0.3$ )	V	4

Table 1. Absolute Maximum Ratings <sup>1</sup> (continued)

Characteristic	Symbol	Max Value	Unit	Notes
Storage temperature range	T <sub>STG</sub>	-55 to 150	°C	—

**Notes:**

- Functional and tested operating conditions are given in Table 2. Absolute maximum ratings are stress ratings only, and functional operation at the maximums is not guaranteed. Stresses beyond those listed may affect device reliability or cause permanent damage to the device.
- The -0.3 to 2.75 V range is for DDR and -0.3 to 1.98 V range is for DDR2.
- The 3.63 V maximum is only supported when the port is configured in GMII, MII, RMII, or TBI modes; otherwise the 2.75 V maximum applies. See Section 8.2, “FIFO, GMII, MII, TBI, RGMII, RMII, and RTBI AC Timing Specifications,” for details on the recommended operating conditions per protocol.
- (M,L,O)V<sub>IN</sub> may overshoot/undershoot to a voltage and for a maximum duration as shown in Figure 2.

## 2.1.2 Recommended Operating Conditions

The following table provides the recommended operating conditions for this device. Note that the values in this table are the recommended and tested operating conditions. Proper device operation outside these conditions is not guaranteed.

Table 2. Recommended Operating Conditions

Characteristic	Symbol	Recommended Value	Unit	Notes	
Core supply voltage	V <sub>DD</sub>	1.1 V ± 55 mV	V	—	
PLL supply voltage	AV <sub>DD</sub>	1.1 V ± 55 mV	V	1	
Core power supply for SerDes transceivers	SV <sub>DD</sub>	1.1 V ± 55 mV	V	—	
Pad power supply for SerDes transceivers	XV <sub>DD</sub>	1.1 V ± 55 mV	V	—	
DDR and DDR2 DRAM I/O voltage	GV <sub>DD</sub>	2.5 V ± 125 mV 1.8 V ± 90 mV	V	—	
Three-speed Ethernet I/O voltage	LV <sub>DD</sub>	3.3 V ± 165 mV 2.5 V ± 125 mV	V	4	
	TV <sub>DD</sub>	3.3 V ± 165 mV 2.5 V ± 125 mV	—	4	
PCI/PCI-X, DUART, system control and power management, I <sup>2</sup> C, Ethernet MII management, and JTAG I/O voltage	OV <sub>DD</sub>	3.3 V ± 165 mV	V	3	
Local bus I/O voltage	BV <sub>DD</sub>	3.3 V ± 165 mV 2.5 V ± 125 mV	V	—	
Input voltage	DDR and DDR2 DRAM signals	MV <sub>IN</sub>	GND to GV <sub>DD</sub>	V	2
	DDR and DDR2 DRAM reference	MV <sub>REF</sub>	GND to GV <sub>DD</sub> /2	V	2
	Three-speed Ethernet signals	LV <sub>IN</sub> TV <sub>IN</sub>	GND to LV <sub>DD</sub> GND to TV <sub>DD</sub>	V	4
	Local bus signals	BV <sub>IN</sub>	GND to BV <sub>DD</sub>	V	—
	PCI, DUART, SYSCLK, system control and power management, I <sup>2</sup> C, Ethernet MII management, and JTAG signals	OV <sub>IN</sub>	GND to OV <sub>DD</sub>	V	3

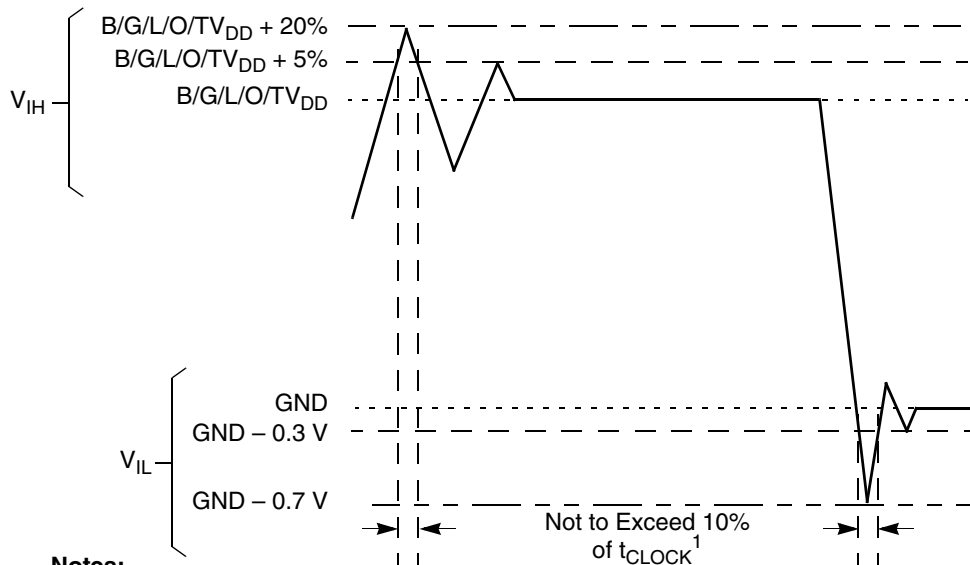
**Table 2. Recommended Operating Conditions (continued)**

Characteristic	Symbol	Recommended Value	Unit	Notes
Junction temperature range	T <sub>j</sub>	0 to 105	°C	—

**Notes:**

1. This voltage is the input to the filter discussed in Section 22.2, “PLL Power Supply Filtering,” and not necessarily the voltage at the AV<sub>DD</sub> pin, which may be reduced from V<sub>DD</sub> by the filter.
2. **Caution:** MV<sub>IN</sub> must not exceed GV<sub>DD</sub> by more than 0.3 V. This limit may be exceeded for a maximum of 20 ms during power-on reset and power-down sequences.
3. **Caution:** OV<sub>IN</sub> must not exceed OV<sub>DD</sub> by more than 0.3 V. This limit may be exceeded for a maximum of 20 ms during power-on reset and power-down sequences.
4. **Caution:** L/TV<sub>IN</sub> must not exceed L/TV<sub>DD</sub> by more than 0.3 V. This limit may be exceeded for a maximum of 20 ms during power-on reset and power-down sequences.

The following figure shows the undershoot and overshoot voltages at the interfaces of this device.



**Notes:**

1. t<sub>CLOCK</sub> refers to the clock period associated with the respective interface:  
 For I<sup>2</sup>C and JTAG, t<sub>CLOCK</sub> references SYSCLK.  
 For DDR, t<sub>CLOCK</sub> references MCLK.  
 For eTSEC, t<sub>CLOCK</sub> references EC\_GTX\_CLK125.  
 For LBIU, t<sub>CLOCK</sub> references LCLK.  
 For PCI, t<sub>CLOCK</sub> references PCI<sub>n</sub>\_CLK or SYSCLK.  
 For SerDes, t<sub>CLOCK</sub> references SD\_REF\_CLK.
2. Note that with the PCI overshoot allowed (as specified above), the device does not fully comply with the maximum AC ratings and device protection guideline outlined in the PCI rev. 2.2 standard (section 4.2.2.3).

**Figure 2. Overshoot/Undershoot Voltage for GV<sub>DD</sub>/OV<sub>DD</sub>/LV<sub>DD</sub>/BV<sub>DD</sub>/TV<sub>DD</sub>**

The core voltage must always be provided at nominal 1.1 V. Voltage to the processor interface I/Os are provided through separate sets of supply pins and must be provided at the voltages shown in Table 2. The input voltage threshold scales with respect to the associated I/O supply voltage. OV<sub>DD</sub> and LV<sub>DD</sub> based receivers are simple CMOS I/O circuits and satisfy appropriate LVCMOS type specifications. The DDR SDRAM interface uses a single-ended differential receiver referenced the externally supplied MV<sub>REF</sub> signal (nominally set to GV<sub>DD</sub>/2) as is appropriate for the SSTL2 electrical signaling standard.

## 2.1.3 Output Driver Characteristics

The following table provides information on the characteristics of the output driver strengths. The values are preliminary estimates.

**Table 3. Output Drive Capability**

Driver Type	Programmable Output Impedance ( $\Omega$ )	Supply Voltage	Notes
Local bus interface utilities signals	25	$BV_{DD} = 3.3\text{ V}$	1
	25	$BV_{DD} = 2.5\text{ V}$	
PCI signals	45(default)	$BV_{DD} = 3.3\text{ V}$	2
	45(default)	$BV_{DD} = 2.5\text{ V}$	
DDR signal	25	$OV_{DD} = 3.3\text{ V}$	3
	45(default)		
DDR2 signal	18	$GV_{DD} = 2.5\text{ V}$	3
	36 (half strength mode)		
TSEC/10/100 signals	18	$GV_{DD} = 1.8\text{ V}$	3
	36 (half strength mode)		
TSEC/10/100 signals	45	$L/TV_{DD} = 2.5/3.3\text{ V}$	—
DUART, system control, JTAG	45	$OV_{DD} = 3.3\text{ V}$	—
I2C	150	$OV_{DD} = 3.3\text{ V}$	—

**Notes:**

1. The drive strength of the local bus interface is determined by the configuration of the appropriate bits in PORIMPSCR.
2. The drive strength of the PCI interface is determined by the setting of the `PCI_GNT1` signal at reset.
3. The drive strength of the DDR interface in half-strength mode is at  $T_j = 105^\circ\text{C}$  and at  $GV_{DD}$  (min).

## 2.2 Power Sequencing

The device requires its power rails to be applied in a specific sequence in order to ensure proper device operation. These requirements are as follows for power-up:

1.  $V_{DD}$ ,  $AV_{DD-n}$ ,  $BV_{DD}$ ,  $LV_{DD}$ ,  $OV_{DD}$ ,  $SV_{DD}$ ,  $TV_{DD}$ ,  $XV_{DD}$
2.  $GV_{DD}$

All supplies must be at their stable values within 50 ms.

**NOTE**

Items on the same line have no ordering requirement with respect to one another. Items on separate lines must be ordered sequentially such that voltage rails on a previous step must reach 90% of their value before the voltage rails on the current step reach 10% of theirs.

**NOTE**

In order to guarantee MCKE low during power-up, the above sequencing for  $GV_{DD}$  is required. If there is no concern about any of the DDR signals being in an indeterminate state during power-up, then the sequencing for  $GV_{DD}$  is not required.

**NOTE**

From a system standpoint, if any of the I/O power supplies ramp prior to the  $V_{DD}$  core supply, the I/Os associated with that I/O supply may drive a logic one or zero during power-up, and extra current may be drawn by the device.

### 3 Power Characteristics

The estimated typical power dissipation for the core complex bus (CCB) versus the core frequency for this family of PowerQUICC III devices is shown in the following table.

**Table 4. Device Power Dissipation**

CCB Frequency <sup>1</sup>	Core Frequency	SLEEP <sup>2</sup>	Typical-65 <sup>3</sup>	Typical-105 <sup>4</sup>	Maximum <sup>5</sup>	Unit
400	800	2.7	4.6	7.5	8.1	W
	1000	2.7	5.0	7.9	8.5	W
	1200	2.7	5.4	8.3	8.9	
500	1500	11.5	13.6	16.5	18.6	W
533	1333	6.2	7.9	10.8	12.8	W

**Notes:**

1. CCB frequency is the SoC platform frequency, which corresponds to the DDR data rate.
2. SLEEP is based on  $V_{DD} = 1.1\text{ V}$ ,  $T_j = 65^\circ\text{C}$ .
3. Typical-65 is based on  $V_{DD} = 1.1\text{ V}$ ,  $T_j = 65^\circ\text{C}$ , running Dhrystone.
4. Typical-105 is based on  $V_{DD} = 1.1\text{ V}$ ,  $T_j = 105^\circ\text{C}$ , running Dhrystone.
5. Maximum is based on  $V_{DD} = 1.1\text{ V}$ ,  $T_j = 105^\circ\text{C}$ , running a smoke test.

## 4 Input Clocks

This section discusses the timing for the input clocks.

### 4.1 System Clock Timing

The following table provides the system clock (SYSCLK) AC timing specifications for the device.

**Table 5. SYSCLK AC Timing Specifications**

At recommended operating conditions (see Table 2) with  $OV_{DD} = 3.3\text{ V} \pm 165\text{ mV}$ .

Parameter/Condition	Symbol	Min	Typ	Max	Unit	Notes
SYSCLK frequency	$f_{\text{SYSCLK}}$	16	—	133	MHz	1, 6, 7, 8
SYSCLK cycle time	$t_{\text{SYSCLK}}$	7.5	—	60	ns	6, 7, 8
SYSCLK rise and fall time	$t_{\text{KH}}, t_{\text{KL}}$	0.6	1.0	1.2	ns	2
SYSCLK duty cycle	$t_{\text{KHK}}/t_{\text{SYSCLK}}$	40	—	60	%	3
SYSCLK jitter	—	—	—	$\pm 150$	ps	4, 5

**Notes:**

- Caution:** The CCB clock to SYSCLK ratio and e500 core to CCB clock ratio settings must be chosen such that the resulting SYSCLK frequency, e500 (core) frequency, and CCB clock frequency do not exceed their respective maximum or minimum operating frequencies. See Section 20.2, “CCB/SYSCLK PLL Ratio,” and Section 20.3, “e500 Core PLL Ratio,” for ratio settings.
- Rise and fall times for SYSCLK are measured at 0.6 and 2.7 V.
- Timing is guaranteed by design and characterization.
- This represents the total input jitter—short term and long term—and is guaranteed by design.
- The SYSCLK driver’s closed loop jitter bandwidth must be <500 kHz at –20 dB. The bandwidth must be set low to allow cascade-connected PLL-based devices to track SYSCLK drivers with the specified jitter.
- This parameter has been adjusted slower according to the workaround for device erratum GEN 13.
- For spread spectrum clocking. Guidelines are +0% to –1% down spread at modulation rate between 20 and 60 kHz on SYSCLK.
- System with operating core frequency less than 1200 MHz must limit SYSCLK frequency to 100 MHz maximum.

### 4.2 Real Time Clock Timing

The RTC input is sampled by the platform clock (CCB clock). The output of the sampling latch is then used as an input to the counters of the PIC and the TimeBase unit of the e500. There is no jitter specification. The minimum pulse width of the RTC signal must be greater than 2x the period of the CCB clock. That is, minimum clock high time is  $2 \times t_{\text{CCB}}$ , and minimum clock low time is  $2 \times t_{\text{CCB}}$ . There is no minimum RTC frequency; RTC may be grounded if not needed.



### 4.3 eTSEC Gigabit Reference Clock Timing

The following table provides the eTSEC gigabit reference clocks (EC\_GTX\_CLK125) AC timing specifications for the device.

**Table 6. EC\_GTX\_CLK125 AC Timing Specifications**

Parameter/Condition	Symbol	Min	Typ	Max	Unit	Notes
EC_GTX_CLK125 frequency	$f_{G125}$	—	125	—	MHz	—
EC_GTX_CLK125 cycle time	$t_{G125}$	—	8	—	ns	
EC_GTX_CLK125 rise and fall time L/TVDD = 2.5 V L/TVDD = 3.3 V	$t_{G125R}, t_{G125F}$	—	—	0.75 1.0	ns	1
EC_GTX_CLK125 duty cycle GMII, TBI 1000Base-T for RGMII, RTBI	$t_{G125H}/t_{G125}$	45 47	—	55 53	%	2, 3

**Notes:**

- Rise and fall times for EC\_GTX\_CLK125 are measured from 0.5 and 2.0 V for L/TV<sub>DD</sub> = 2.5 V, and from 0.6 and 2.7 V for L/TV<sub>DD</sub> = 3.3 V.
- Timing is guaranteed by design and characterization.
- EC\_GTX\_CLK125 is used to generate the GTX clock TSEC<sub>n</sub>\_GTX\_CLK for the eTSEC transmitter with 2% degradation. EC\_GTX\_CLK125 duty cycle can be loosened from 47/53% as long as the PHY device can tolerate the duty cycle generated by the TSEC<sub>n</sub>\_GTX\_CLK. See [Section 8.2.6, “RGMII and RTBI AC Timing Specifications,”](#) for duty cycle for 10Base-T and 100Base-T reference clock.

### 4.4 PCI/PCI-X Reference Clock Timing

When the PCI/PCI-X controller is configured for asynchronous operation, the reference clock for the PCI/PCI-x controller is not the SYSCLK input, but instead the PCIn\_CLK. The following table provides the PCI/PCI-X reference clock AC timing specifications for the device.

**Table 7. PCIn\_CLK AC Timing Specifications**

At recommended operating conditions (see [Table 2](#)) with OV<sub>DD</sub> = 3.3 V ± 165 mV.

Parameter/Condition	Symbol	Min	Typ	Max	Unit	Notes
PCIn_CLK frequency	$f_{PCICK}$	16	—	133	MHz	—
PCIn_CLK cycle time	$t_{PCICK}$	7.5	—	60	ns	—
PCIn_CLK rise and fall time	$t_{PCIKH}, t_{PCIKL}$	0.6	1.0	2.1	ns	1, 2
PCIn_CLK duty cycle	$t_{PCIKHKL}/t_{PCICK}$	40	—	60	%	2

**Notes:**

- Rise and fall times for SYSCLK are measured at 0.6 and 2.7 V.
- Timing is guaranteed by design and characterization.

## 4.5 Platform to FIFO Restrictions

Note the following FIFO maximum speed restrictions based on platform speed.

For FIFO GMII mode:

$$\text{FIFO TX/RX clock frequency} \leq \text{platform clock frequency}/4.2$$

For example, if the platform frequency is 533 MHz, the FIFO TX/RX clock frequency must be no more than 127 MHz.

For FIFO encoded mode:

$$\text{FIFO TX/RX clock frequency} \leq \text{platform clock frequency}/4.2$$

For example, if the platform frequency is 533 MHz, the FIFO TX/RX clock frequency must be no more than 167 MHz.

## 4.6 Platform Frequency Requirements for PCI-Express and Serial RapidIO

The CCB clock frequency must be considered for proper operation of the high-speed PCI-Express and Serial RapidIO interfaces as described below.

For proper PCI Express operation, the CCB clock frequency must be greater than:

$$\frac{527 \text{ MHz} \times (\text{PCI-Express link width})}{8}$$

See *MPC8548ERM, Rev. 2, PowerQUICC III Integrated Processor Family Reference Manual*, Section 18.1.3.2, “Link Width,” for PCI Express interface width details.

For proper serial RapidIO operation, the CCB clock frequency must be greater than:

$$\frac{2 \times (0.80) \times (\text{Serial RapidIO interface frequency}) \times (\text{Serial RapidIO link width})}{64}$$

See *MPC8548ERM, Rev. 2, PowerQUICC III Integrated Processor Family Reference Manual*, Section 17.4, “1x/4x LP-Serial Signal Descriptions,” for serial RapidIO interface width and frequency details.

## 4.7 Other Input Clocks

For information on the input clocks of other functional blocks of the platform see the specific section of this document.

## 5 RESET Initialization

This section describes the AC electrical specifications for the RESET initialization timing requirements of the device. The following table provides the RESET initialization AC timing specifications for the DDR SDRAM component(s).

**Table 8. RESET Initialization Timing Specifications**

Parameter/Condition	Min	Max	Unit	Notes
Required assertion time of $\overline{\text{HRESET}}$	100	—	$\mu\text{s}$	—
Minimum assertion time for $\overline{\text{SRESET}}$	3	—	SYSClKs	1
PLL input setup time with stable SYSClK before $\overline{\text{HRESET}}$ negation	100	—	$\mu\text{s}$	—
Input setup time for POR configs (other than PLL config) with respect to negation of $\overline{\text{HRESET}}$	4	—	SYSClKs	1
Input hold time for all POR configs (including PLL config) with respect to negation of $\overline{\text{HRESET}}$	2	—	SYSClKs	1
Maximum valid-to-high impedance time for actively driven POR configs with respect to negation of $\overline{\text{HRESET}}$	—	5	SYSClKs	1

**Note:**

1. SYSClK is the primary clock input for the device.

The following table provides the PLL lock times.

**Table 9. PLL Lock Times**

Parameter/Condition	Min	Max	Unit
Core and platform PLL lock times	—	100	$\mu\text{s}$
Local bus PLL lock time	—	50	$\mu\text{s}$
PCI/PCI-X bus PLL lock time	—	50	$\mu\text{s}$

### 5.1 Power-On Ramp Rate

This section describes the AC electrical specifications for the power-on ramp rate requirements. Controlling the maximum power-on ramp rate is required to avoid falsely triggering the ESD circuitry. The following table provides the power supply ramp rate specifications.

**Table 10. Power Supply Ramp Rate**

Parameter	Min	Max	Unit	Notes
Required ramp rate for MVREF	—	3500	V/s	1
Required ramp rate for VDD	—	4000	V/s	1, 2

**Note:**

1. Maximum ramp rate from 200 to 500 mV is most critical as this range may falsely trigger the ESD circuitry.
2. VDD itself is not vulnerable to false ESD triggering; however, as per [Section 22.2, “PLL Power Supply Filtering,”](#) the recommended AVDD\_CORE, AVDD\_PLAT, AVDD\_LBIU, AVDD\_PCI1 and AVDD\_PCI2 filters are all connected to VDD. Their ramp rates must be equal to or less than the VDD ramp rate.

## 6 DDR and DDR2 SDRAM

This section describes the DC and AC electrical specifications for the DDR SDRAM interface of the device. Note that  $GV_{DD}(\text{typ}) = 2.5 \text{ V}$  for DDR SDRAM, and  $GV_{DD}(\text{typ}) = 1.8 \text{ V}$  for DDR2 SDRAM.

### 6.1 DDR SDRAM DC Electrical Characteristics

The following table provides the recommended operating conditions for the DDR2 SDRAM controller of the device when  $GV_{DD}(\text{typ}) = 1.8 \text{ V}$ .

**Table 11. DDR2 SDRAM DC Electrical Characteristics for  $GV_{DD}(\text{typ}) = 1.8 \text{ V}$**

Parameter/Condition	Symbol	Min	Max	Unit	Notes
I/O supply voltage	$GV_{DD}$	1.71	1.89	V	1
I/O reference voltage	$MV_{REF}$	$0.49 \times GV_{DD}$	$0.51 \times GV_{DD}$	V	2
I/O termination voltage	$V_{TT}$	$MV_{REF} - 0.04$	$MV_{REF} + 0.04$	V	3
Input high voltage	$V_{IH}$	$MV_{REF} + 0.125$	$GV_{DD} + 0.3$	V	—
Input low voltage	$V_{IL}$	-0.3	$MV_{REF} - 0.125$	V	—
Output leakage current	$I_{OZ}$	-50	50	$\mu\text{A}$	4
Output high current ( $V_{OUT} = 1.420 \text{ V}$ )	$I_{OH}$	-13.4	—	mA	—
Output low current ( $V_{OUT} = 0.280 \text{ V}$ )	$I_{OL}$	13.4	—	mA	—

**Notes:**

- $GV_{DD}$  is expected to be within 50 mV of the DRAM  $V_{DD}$  at all times.
- $MV_{REF}$  is expected to be equal to  $0.5 \times GV_{DD}$ , and to track  $GV_{DD}$  DC variations as measured at the receiver. Peak-to-peak noise on  $MV_{REF}$  may not exceed  $\pm 2\%$  of the DC value.
- $V_{TT}$  is not applied directly to the device. It is the supply to which far end signal termination is made and is expected to be equal to  $MV_{REF}$ . This rail must track variations in the DC level of  $MV_{REF}$ .
- Output leakage is measured with all outputs disabled,  $0 \text{ V} \leq V_{OUT} \leq GV_{DD}$ .

This table provides the DDR2 I/O capacitance when  $GV_{DD}(\text{typ}) = 1.8 \text{ V}$ .

**Table 12. DDR2 SDRAM Capacitance for  $GV_{DD}(\text{typ})=1.8 \text{ V}$**

Parameter/Condition	Symbol	Min	Max	Unit	Notes
Input/output capacitance: DQ, DQS, $\overline{DQS}$	$C_{IO}$	6	8	pF	1
Delta input/output capacitance: DQ, DQS, $\overline{DQS}$	$C_{DIO}$	—	0.5	pF	1

**Note:**

- This parameter is sampled.  $GV_{DD} = 1.8 \text{ V} \pm 0.090 \text{ V}$ ,  $f = 1 \text{ MHz}$ ,  $T_A = 25^\circ\text{C}$ ,  $V_{OUT} = GV_{DD}/2$ ,  $V_{OUT}$  (peak-to-peak) = 0.2 V.

Table 13 provides the recommended operating conditions for the DDR SDRAM controller when  $GV_{DD}(\text{typ}) = 2.5 \text{ V}$ .

**Table 13. DDR SDRAM DC Electrical Characteristics for  $GV_{DD}(\text{typ}) = 2.5 \text{ V}$**

Parameter/Condition	Symbol	Min	Max	Unit	Notes
I/O supply voltage	$GV_{DD}$	2.375	2.625	V	1
I/O reference voltage	$MV_{REF}$	$0.49 \times GV_{DD}$	$0.51 \times GV_{DD}$	V	2
I/O termination voltage	$V_{TT}$	$MV_{REF} - 0.04$	$MV_{REF} + 0.04$	V	3
Input high voltage	$V_{IH}$	$MV_{REF} + 0.15$	$GV_{DD} + 0.3$	V	—
Input low voltage	$V_{IL}$	-0.3	$MV_{REF} - 0.15$	V	—
Output leakage current	$I_{OZ}$	-50	50	$\mu\text{A}$	4
Output high current ( $V_{OUT} = 1.95 \text{ V}$ )	$I_{OH}$	-16.2	—	mA	—
Output low current ( $V_{OUT} = 0.35 \text{ V}$ )	$I_{OL}$	16.2	—	mA	—

**Notes:**

- $GV_{DD}$  is expected to be within 50 mV of the DRAM  $V_{DD}$  at all times.
- $MV_{REF}$  is expected to be equal to  $0.5 \times GV_{DD}$ , and to track  $GV_{DD}$  DC variations as measured at the receiver. Peak-to-peak noise on  $MV_{REF}$  may not exceed  $\pm 2\%$  of the DC value.
- $V_{TT}$  is not applied directly to the device. It is the supply to which far end signal termination is made and is expected to be equal to  $MV_{REF}$ . This rail must track variations in the DC level of  $MV_{REF}$ .
- Output leakage is measured with all outputs disabled,  $0 \text{ V} \leq V_{OUT} \leq GV_{DD}$ .

Table 14 provides the DDR I/O capacitance when  $GV_{DD}(\text{typ}) = 2.5 \text{ V}$ .

**Table 14. DDR SDRAM Capacitance for  $GV_{DD}(\text{typ}) = 2.5 \text{ V}$**

Parameter/Condition	Symbol	Min	Max	Unit	Notes
Input/output capacitance: DQ, DQS	$C_{IO}$	6	8	pF	1
Delta input/output capacitance: DQ, DQS	$C_{DIO}$	—	0.5	pF	1

**Note:**

- This parameter is sampled.  $GV_{DD} = 2.5 \text{ V} \pm 0.125 \text{ V}$ ,  $f = 1 \text{ MHz}$ ,  $T_A = 25^\circ\text{C}$ ,  $V_{OUT} = GV_{DD}/2$ ,  $V_{OUT}$  (peak-to-peak) = 0.2 V.

This table provides the current draw characteristics for  $MV_{REF}$ .

**Table 15. Current Draw Characteristics for  $MV_{REF}$**

Parameter/Condition	Symbol	Min	Max	Unit	Notes
Current draw for $MV_{REF}$	$I_{MVREF}$	—	500	$\mu\text{A}$	1

**Note:**

- The voltage regulator for  $MV_{REF}$  must be able to supply up to 500  $\mu\text{A}$  current.

## 6.2 DDR SDRAM AC Electrical Characteristics

This section provides the AC electrical characteristics for the DDR SDRAM interface. The DDR controller supports both DDR1 and DDR2 memories. DDR1 is supported with the following AC timings at data rates of 333 MHz. DDR2 is supported with the following AC timings at data rates down to 333 MHz.

### 6.2.1 DDR SDRAM Input AC Timing Specifications

This table provides the input AC timing specifications for the DDR SDRAM when  $GV_{DD}(typ) = 1.8\text{ V}$ .

**Table 16. DDR2 SDRAM Input AC Timing Specifications for 1.8-V Interface**

At recommended operating conditions

Parameter	Symbol	Min	Max	Unit
AC input low voltage	$V_{IL}$	—	$MV_{REF} - 0.25$	V
AC input high voltage	$V_{IH}$	$MV_{REF} + 0.25$	—	V

Table 17 provides the input AC timing specifications for the DDR SDRAM when  $GV_{DD}(typ) = 2.5\text{ V}$ .

**Table 17. DDR SDRAM Input AC Timing Specifications for 2.5-V Interface**

At recommended operating conditions.

Parameter	Symbol	Min	Max	Unit
AC input low voltage	$V_{IL}$	—	$MV_{REF} - 0.31$	V
AC input high voltage	$V_{IH}$	$MV_{REF} + 0.31$	—	V

This table provides the input AC timing specifications for the DDR SDRAM interface.

**Table 18. DDR SDRAM Input AC Timing Specifications**

At recommended operating conditions.

Parameter	Symbol	Min	Max	Unit	Notes
Controller Skew for MDQS—MDQ/MECC	$t_{CISKEW}$			ps	1, 2
533 MHz		–300	300		
400 MHz		–365	365		
333 MHz		–390	390		

**Notes:**

- $t_{CISKEW}$  represents the total amount of skew consumed by the controller between MDQS[n] and any corresponding bit that is captured with MDQS[n]. This must be subtracted from the total timing budget.
- The amount of skew that can be tolerated from MDQS to a corresponding MDQ signal is called  $t_{DISKEW}$ . This can be determined by the following equation:  $t_{DISKEW} = \pm (T/4 - \text{abs}(t_{CISKEW}))$  where T is the clock period and  $\text{abs}(t_{CISKEW})$  is the absolute value of  $t_{CISKEW}$ .

## 6.2.2 DDR SDRAM Output AC Timing Specifications

**Table 19. DDR SDRAM Output AC Timing Specifications**

At recommended operating conditions.

Parameter	Symbol <sup>1</sup>	Min	Max	Unit	Notes
MCK[n] cycle time, MCK[n]/ $\overline{\text{MCK}}[n]$ crossing	$t_{\text{MCK}}$	3.75	6	ns	2
ADDR/CMD output setup with respect to MCK 533 MHz 400 MHz 333 MHz	$t_{\text{DDKHAS}}$	1.48 1.95 2.40	— — —	ns	3
ADDR/CMD output hold with respect to MCK 533 MHz 400 MHz 333 MHz	$t_{\text{DDKHAX}}$	1.48 1.95 2.40	— — —	ns	3
$\overline{\text{MCS}}[n]$ output setup with respect to MCK 533 MHz 400 MHz 333 MHz	$t_{\text{DDKHCS}}$	1.48 1.95 2.40	— — —	ns	3
$\overline{\text{MCS}}[n]$ output hold with respect to MCK 533 MHz 400 MHz 333 MHz	$t_{\text{DDKHXC}}$	1.48 1.95 2.40	— — —	ns	3
MCK to MDQS Skew	$t_{\text{DDKMHM}}$	-0.6	0.6	ns	4
MDQ/MECC/MDM output setup with respect to MDQS 533 MHz 400 MHz 333 MHz	$t_{\text{DDKHDS}}$ , $t_{\text{DDKLDS}}$	538 700 900	— — —	ps	5
MDQ/MECC/MDM output hold with respect to MDQS 533 MHz 400 MHz 333 MHz	$t_{\text{DDKHDX}}$ , $t_{\text{DDKLDX}}$	538 700 900	— — —	ps	5
MDQS preamble start	$t_{\text{DDKHMP}}$	$-0.5 \times t_{\text{MCK}} - 0.6$	$-0.5 \times t_{\text{MCK}} + 0.6$	ns	6

**Table 19. DDR SDRAM Output AC Timing Specifications (continued)**

At recommended operating conditions.

Parameter	Symbol <sup>1</sup>	Min	Max	Unit	Notes
MDQS epilogue end	$t_{DDKHME}$	-0.6	0.6	ns	6

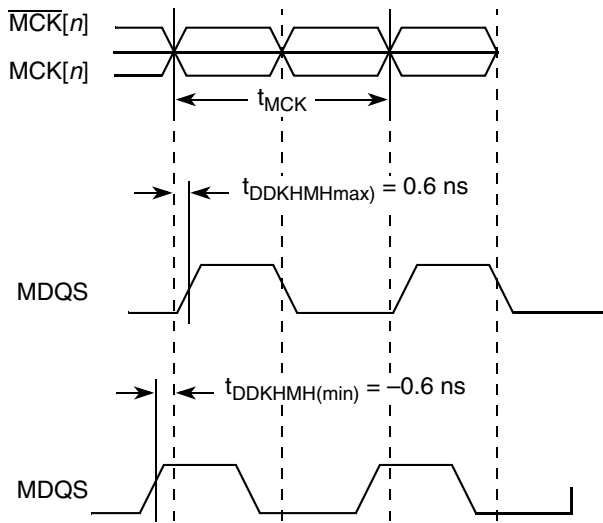
**Notes:**

1. The symbols used for timing specifications follow the pattern of  $t_{(first\ two\ letters\ of\ functional\ block)(signal)(state)(reference)(state)}$  for inputs and  $t_{(first\ two\ letters\ of\ functional\ block)(reference)(state)(signal)(state)}$  for outputs. Output hold time can be read as DDR timing (DD) from the rising or falling edge of the reference clock (KH or KL) until the output went invalid (AX or DX). For example,  $t_{DDKHAS}$  symbolizes DDR timing (DD) for the time  $t_{MCK}$  memory clock reference (K) goes from the high (H) state until outputs (A) are setup (S) or output valid time. Also,  $t_{DDKLDX}$  symbolizes DDR timing (DD) for the time  $t_{MCK}$  memory clock reference (K) goes low (L) until data outputs (D) are invalid (X) or data output hold time.
2. All MCK/MCK referenced measurements are made from the crossing of the two signals  $\pm 0.1$  V.
3. ADDR/CMD includes all DDR SDRAM output signals except MCK/MCK,  $\overline{MCS}$ , and MDQ/MECC/MDM/MDQS.
4. Note that  $t_{DDKHMH}$  follows the symbol conventions described in note 1. For example,  $t_{DDKHMH}$  describes the DDR timing (DD) from the rising edge of the MCK[n] clock (KH) until the MDQS signal is valid (MH).  $t_{DDKHMH}$  can be modified through control of the MDQS override bits (called WR\_DATA\_DELAY) in the TIMING\_CFG\_2 register. This is typically set to the same delay as in DDR\_SDRAM\_CLK\_CNTL[CLK\_ADJUST]. The timing parameters listed in the table assume that these 2 parameters have been set to the same adjustment value. See the *MPC8548E PowerQUICC III Integrated Processor Reference Manual* for a description and understanding of the timing modifications enabled by use of these bits.
5. Determined by maximum possible skew between a data strobe (MDQS) and any corresponding bit of data (MDQ), ECC (MECC), or data mask (MDM). The data strobe must be centered inside of the data eye at the pins of the microprocessor.
6. All outputs are referenced to the rising edge of MCK[n] at the pins of the microprocessor. Note that  $t_{DDKHMP}$  follows the symbol conventions described in note 1.

**NOTE**

For the ADDR/CMD setup and hold specifications in [Table 19](#), it is assumed that the clock control register is set to adjust the memory clocks by 1/2 applied cycle.

[Figure 3](#) shows the DDR SDRAM output timing for the MCK to MDQS skew measurement ( $t_{DDKHMH}$ ).



**Figure 3. Timing Diagram for  $t_{DDKHMH}$**



Figure 4 shows the DDR SDRAM output timing diagram.

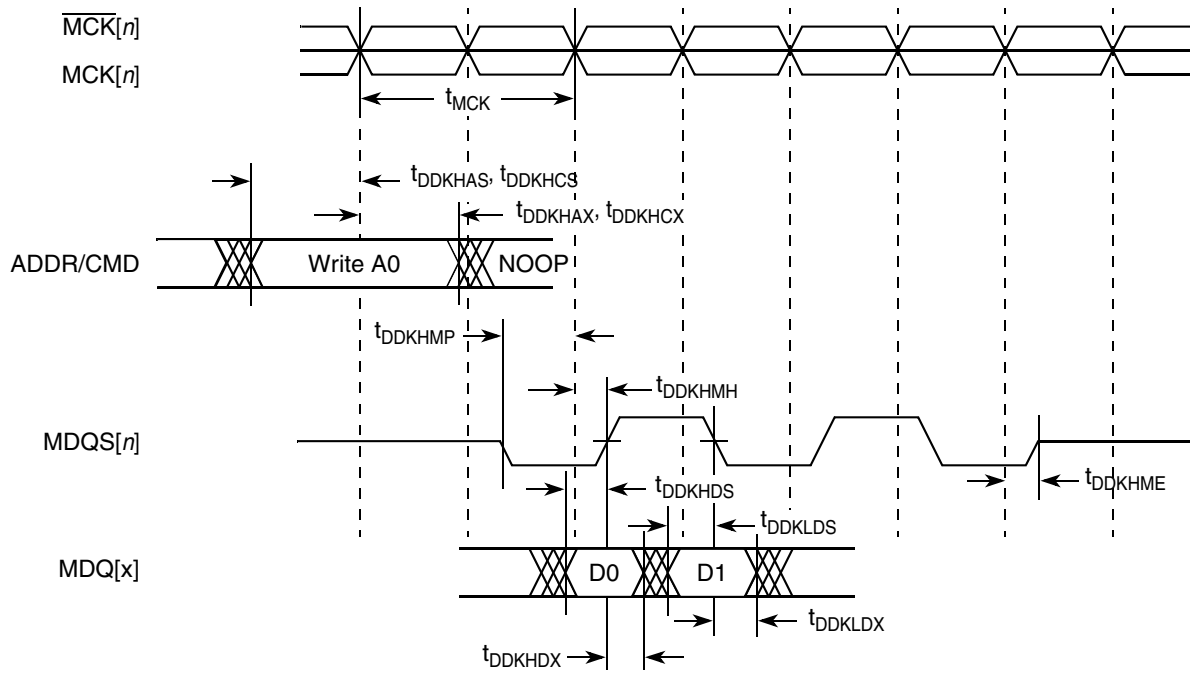


Figure 4. DDR SDRAM Output Timing Diagram

Figure 5 provides the AC test load for the DDR bus.

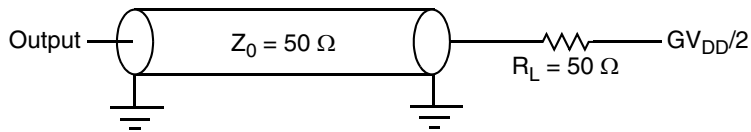


Figure 5. DDR AC Test Load

## 7 DUART

This section describes the DC and AC electrical specifications for the DUART interface of the device.

### 7.1 DUART DC Electrical Characteristics

This table provides the DC electrical characteristics for the DUART interface.

**Table 20. DUART DC Electrical Characteristics**

Parameter	Symbol	Min	Max	Unit
High-level input voltage	$V_{IH}$	2	$OV_{DD} + 0.3$	V
Low-level input voltage	$V_{IL}$	-0.3	0.8	V
Input current ( $V_{IN}^1 = 0$ V or $V_{IN} = V_{DD}$ )	$I_{IN}$	—	$\pm 5$	$\mu$ A
High-level output voltage ( $OV_{DD} = \text{min}$ , $I_{OH} = -2$ mA)	$V_{OH}$	2.4	—	V
Low-level output voltage ( $OV_{DD} = \text{min}$ , $I_{OL} = 2$ mA)	$V_{OL}$	—	0.4	V

**Note:**

- Note that the symbol  $V_{IN}$ , in this case, represents the  $OV_{IN}$  symbol referenced in [Table 1](#) and [Table 2](#).

### 7.2 DUART AC Electrical Specifications

This table provides the AC timing parameters for the DUART interface.

**Table 21. DUART AC Timing Specifications**

Parameter	Value	Unit	Notes
Minimum baud rate	$f_{CCB}/1,048,576$	baud	1, 2
Maximum baud rate	$f_{CCB}/16$	baud	1, 2, 3
Oversample rate	16	—	1, 4

**Notes:**

- Guaranteed by design.
- $f_{CCB}$  refers to the internal platform clock.
- Actual attainable baud rate is limited by the latency of interrupt processing.
- The middle of a start bit is detected as the 8<sup>th</sup> sampled 0 after the 1-to-0 transition of the start bit. Subsequent bit values are sampled each 16<sup>th</sup> sample.

## 8 Enhanced Three-Speed Ethernet (eTSEC)

This section provides the AC and DC electrical characteristics for the enhanced three-speed Ethernet controller. The electrical characteristics for MDIO and MDC are specified in [Section 9, “Ethernet Management Interface Electrical Characteristics.”](#)

### 8.1 Enhanced Three-Speed Ethernet Controller (eTSEC) (10/100/1Gb Mbps)—GMII/MII/TBI/RGMII/RTBI/RMII Electrical Characteristics

The electrical characteristics specified here apply to all gigabit media independent interface (GMII), media independent interface (MII), ten-bit interface (TBI), reduced gigabit media independent interface (RGMII), reduced ten-bit interface (RTBI), and reduced media independent interface (RMII) signals except management data input/output (MDIO) and management data clock (MDC). The RGMII and RTBI interfaces are defined for 2.5 V, while the GMII, MII, and TBI interfaces can be operated at 3.3 or 2.5 V. The GMII, MII, or TBI interface timing is compliant with the IEEE 802.3. The RGMII and RTBI interfaces follow the *Reduced Gigabit Media-Independent Interface (RGMII) Specification Version 1.3* (12/10/2000). The RMII interface follows the *RMII Consortium RMII Specification Version 1.2* (3/20/1998). The electrical characteristics for MDIO and MDC are specified in [Section 9, “Ethernet Management Interface Electrical Characteristics.”](#)

#### 8.1.1 eTSEC DC Electrical Characteristics

All GMII, MII, TBI, RGMII, RMII, and RTBI drivers and receivers comply with the DC parametric attributes specified in [Table 22](#) and [Table 23](#). The RGMII and RTBI signals are based on a 2.5-V CMOS interface voltage as defined by JEDEC EIA/JESD8-5.

**Table 22. GMII, MII, RMII, and TBI DC Electrical Characteristics**

Parameter	Symbol	Min	Max	Unit	Notes
Supply voltage 3.3 V	$V_{DD}$ $V_{DD}$	3.13	3.47	V	1, 2
Output high voltage ( $V_{DD}/V_{DD} = \text{min}$ , $I_{OH} = -4.0 \text{ mA}$ )	$V_{OH}$	2.40	$V_{DD}/V_{DD} + 0.3$	V	—
Output low voltage ( $V_{DD}/V_{DD} = \text{min}$ , $I_{OL} = 4.0 \text{ mA}$ )	$V_{OL}$	GND	0.50	V	—
Input high voltage	$V_{IH}$	2.0	$V_{DD}/V_{DD} + 0.3$	V	—
Input low voltage	$V_{IL}$	-0.3	0.90	V	—
Input high current ( $V_{IN} = V_{DD}$ , $V_{IN} = V_{DD}$ )	$I_{IH}$	—	40	$\mu\text{A}$	1, 2, 3
Input low current ( $V_{IN} = \text{GND}$ )	$I_{IL}$	-600	—	$\mu\text{A}$	—

**Notes:**

1.  $V_{DD}$  supports eTSECs 1 and 2.
2.  $V_{DD}$  supports eTSECs 3 and 4.
3. The symbol  $V_{IN}$ , in this case, represents the  $V_{IN}$  and  $V_{IN}$  symbols referenced in [Table 1](#) and [Table 2](#).

**Table 23. GMII, MII, RMII, TBI, RGMII, RTBI, and FIFO DC Electrical Characteristics**

Parameters	Symbol	Min	Max	Unit	Notes
Supply voltage 2.5 V	$LV_{DD}/TV_{DD}$	2.37	2.63	V	1, 2
Output high voltage ( $LV_{DD}/TV_{DD} = \text{Min}$ , $I_{OH} = -1.0 \text{ mA}$ )	$V_{OH}$	2.00	$LV_{DD}/TV_{DD} + 0.3$	V	—
Output low voltage ( $LV_{DD}/TV_{DD} = \text{Min}$ , $I_{OL} = 1.0 \text{ mA}$ )	$V_{OL}$	GND -0.3	0.40	V	—
Input high voltage	$V_{IH}$	1.70	$LV_{DD}/TV_{DD} + 0.3$	V	—
Input low voltage	$V_{IL}$	-0.3	0.90	V	—
Input high current ( $V_{IN} = LV_{DD}$ , $V_{IN} = TV_{DD}$ )	$I_{IH}$	—	10	$\mu\text{A}$	1, 2, 3
Input low current ( $V_{IN} = \text{GND}$ )	$I_{IL}$	-15	—	$\mu\text{A}$	3

**Notes:**

1.  $LV_{DD}$  supports eTSECs 1 and 2.
2.  $TV_{DD}$  supports eTSECs 3 and 4.
3. Note that the symbol  $V_{IN}$ , in this case, represents the  $LV_{IN}$  and  $TV_{IN}$  symbols referenced in [Table 1](#) and [Table 2](#).

## 8.2 FIFO, GMII, MII, TBI, RGMII, RMII, and RTBI AC Timing Specifications

The AC timing specifications for FIFO, GMII, MII, TBI, RGMII, RMII, and RTBI are presented in this section.

### 8.2.1 FIFO AC Specifications

The basis for the AC specifications for the eTSEC's FIFO modes is the double data rate RGMII and RTBI specifications, since they have similar performances and are described in a source-synchronous fashion like FIFO modes. However, the FIFO interface provides deliberate skew between the transmitted data and source clock in GMII fashion.

When the eTSEC is configured for FIFO modes, all clocks are supplied from external sources to the relevant eTSEC interface. That is, the transmit clock must be applied to the eTSEC $n$ 's TSEC $n$ \_TX\_CLK, while the receive clock must be applied to pin TSEC $n$ \_RX\_CLK. The eTSEC internally uses the transmit clock to synchronously generate transmit data and outputs an echoed copy of the transmit clock back out onto the TSEC $n$ \_GTX\_CLK pin (while transmit data appears on TSEC $n$ \_TXD[7:0], for example). It is intended that external receivers capture eTSEC transmit data using the clock on TSEC $n$ \_GTX\_CLK as a source-synchronous timing reference. Typically, the clock edge that launched the data can be used, since the clock is delayed by the eTSEC to allow acceptable set-up margin at the receiver. Note that there is relationship between the maximum FIFO speed and the platform speed. For more information see [Section 4.5, "Platform to FIFO Restrictions."](#)

A summary of the FIFO AC specifications appears in [Table 24](#) and [Table 25](#).

**Table 24. FIFO Mode Transmit AC Timing Specification**

Parameter/Condition	Symbol	Min	Typ	Max	Unit
TX_CLK, GTX_CLK clock period	$t_{FIT}$	5.3	8.0	100	ns
TX_CLK, GTX_CLK duty cycle	$t_{FITH}/t_{FIT}$	45	50	55	%
TX_CLK, GTX_CLK peak-to-peak jitter	$t_{FITJ}$	—	—	250	ps
Rise time TX_CLK (20%–80%)	$t_{FITR}$	—	—	0.75	ns
Fall time TX_CLK (80%–20%)	$t_{FITF}$	—	—	0.75	ns
FIFO data TXD[7:0], TX_ER, TX_EN setup time to GTX_CLK	$t_{FITDV}$	2.0	—	—	ns
GTX_CLK to FIFO data TXD[7:0], TX_ER, TX_EN hold time	$t_{FITDX}$	0.5	—	3.0	ns

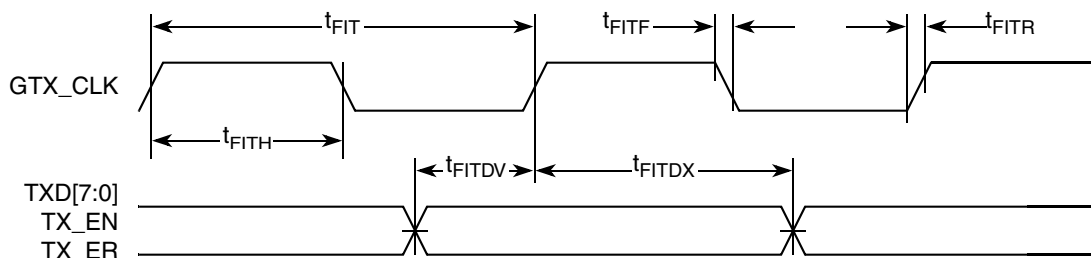
**Table 25. FIFO Mode Receive AC Timing Specification**

Parameter/Condition	Symbol	Min	Typ	Max	Unit
RX_CLK clock period	$t_{FIR}$	5.3	8.0	100	ns
RX_CLK duty cycle	$t_{FIRH}/t_{FIR}$	45	50	55	%
RX_CLK peak-to-peak jitter	$t_{FIRJ}$	—	—	250	ps
Rise time RX_CLK (20%–80%)	$t_{FIRR}$	—	—	0.75	ns
Fall time RX_CLK (80%–20%)	$t_{FIRF}$	—	—	0.75	ns
RXD[7:0], RX_DV, RX_ER setup time to RX_CLK	$t_{FIRDV}$	1.5	—	—	ns
RXD[7:0], RX_DV, RX_ER hold time to RX_CLK	$t_{FIRDX}$	0.5	—	—	ns

**Note:**

1. The minimum cycle period of the TX\_CLK and RX\_CLK is dependent on the maximum platform frequency of the speed bins the part belongs to as well as the FIFO mode under operation. See [Section 4.5, “Platform to FIFO Restrictions.”](#)

Timing diagrams for FIFO appear in [Figure 6](#) and [Figure 7](#).



**Figure 6. FIFO Transmit AC Timing Diagram**

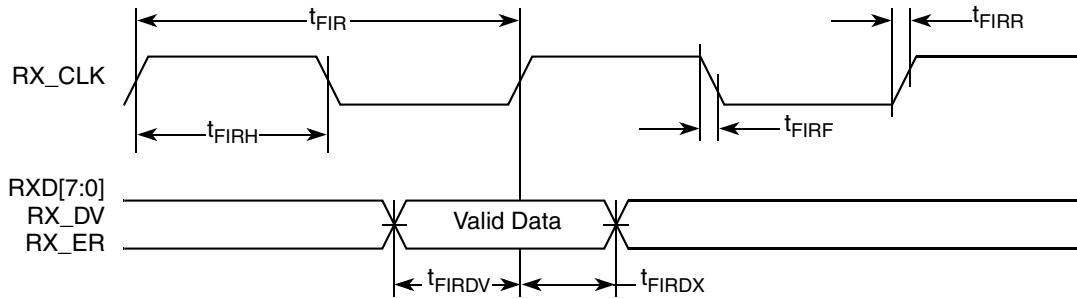


Figure 7. FIFO Receive AC Timing Diagram

## 8.2.2 GMII AC Timing Specifications

This section describes the GMII transmit and receive AC timing specifications.

### 8.2.2.1 GMII Transmit AC Timing Specifications

This table provides the GMII transmit AC timing specifications.

Table 26. GMII Transmit AC Timing Specifications

Parameter/Condition	Symbol <sup>1</sup>	Min	Typ	Max	Unit
GMII data TXD[7:0], TX_ER, TX_EN setup time	t <sub>GTKHDV</sub>	2.5	—	—	ns
GTX_CLK to GMII data TXD[7:0], TX_ER, TX_EN delay	t <sub>GTKHDX</sub>	0.5	—	5.0	ns
GTX_CLK data clock rise time (20%–80%)	t <sub>GTXR</sub> <sup>2</sup>	—	—	1.0	ns
GTX_CLK data clock fall time (80%–20%)	t <sub>GTXF</sub> <sup>2</sup>	—	—	1.0	ns

**Notes:**

- The symbols used for timing specifications follow the pattern t<sub>(first two letters of functional block)(signal)(state)(reference)(state)</sub> for inputs and t<sub>(first two letters of functional block)(reference)(state)(signal)(state)</sub> for outputs. For example, t<sub>GTKHDV</sub> symbolizes GMII transmit timing (GT) with respect to the t<sub>GTX</sub> clock reference (K) going to the high state (H) relative to the time date input signals (D) reaching the valid state (V) to state or setup time. Also, t<sub>GTKHDX</sub> symbolizes GMII transmit timing (GT) with respect to the t<sub>GTX</sub> clock reference (K) going to the high state (H) relative to the time date input signals (D) going invalid (X) or hold time. Note that, in general, the clock reference symbol representation is based on three letters representing the clock of a particular functional. For example, the subscript of t<sub>GTX</sub> represents the GMII(G) transmit (TX) clock. For rise and fall times, the latter convention is used with the appropriate letter: R (rise) or F (fall).
- Guaranteed by design.

Figure 8 shows the GMII transmit AC timing diagram.

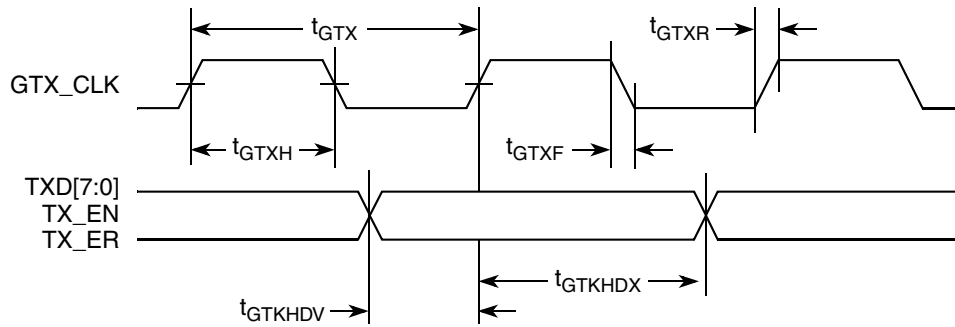


Figure 8. GMII Transmit AC Timing Diagram

### 8.2.2.2 GMII Receive AC Timing Specifications

This table provides the GMII receive AC timing specifications.

Table 27. GMII Receive AC Timing Specifications

Parameter/Condition	Symbol <sup>1</sup>	Min	Typ	Max	Unit
RX_CLK clock period	$t_{GRX}$	—	8.0	—	ns
RX_CLK duty cycle	$t_{GRXH}/t_{GRX}$	35	—	75	ns
RXD[7:0], RX_DV, RX_ER setup time to RX_CLK	$t_{GRDVKH}$	2.0	—	—	ns
RXD[7:0], RX_DV, RX_ER hold time to RX_CLK	$t_{GRDXKH}$	0	—	—	ns
RX_CLK clock rise (20%-80%)	$t_{GRXR}^2$	—	—	1.0	ns
RX_CLK clock fall time (80%-20%)	$t_{GRXF}^2$	—	—	1.0	ns

**Notes:**

- The symbols used for timing specifications follow the pattern of  $t_{(\text{first two letters of functional block})(\text{signal})(\text{state})(\text{reference})(\text{state})}$  for inputs and  $t_{(\text{first two letters of functional block})(\text{reference})(\text{state})(\text{signal})(\text{state})}$  for outputs. For example,  $t_{GRDVKH}$  symbolizes GMII receive timing (GR) with respect to the time data input signals (D) reaching the valid state (V) relative to the  $t_{RX}$  clock reference (K) going to the high state (H) or setup time. Also,  $t_{GRDXKL}$  symbolizes GMII receive timing (GR) with respect to the time data input signals (D) went invalid (X) relative to the  $t_{GRX}$  clock reference (K) going to the low (L) state or hold time. Note that, in general, the clock reference symbol representation is based on three letters representing the clock of a particular functional. For example, the subscript of  $t_{GRX}$  represents the GMII (G) receive (RX) clock. For rise and fall times, the latter convention is used with the appropriate letter: R (rise) or F (fall).
- Guaranteed by design.

Figure 9 provides the AC test load for eTSEC.

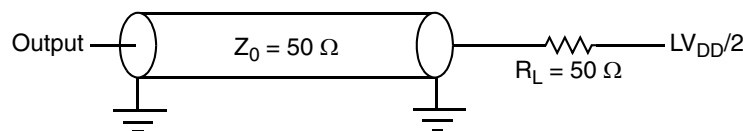


Figure 9. eTSEC AC Test Load

Figure 10 shows the GMII receive AC timing diagram.

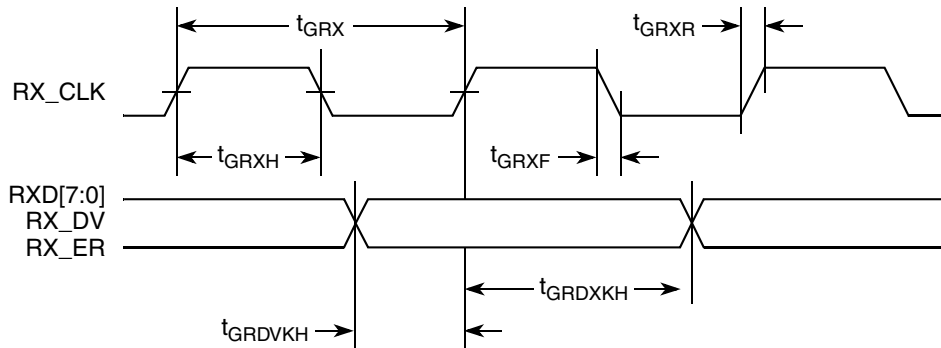


Figure 10. GMII Receive AC Timing Diagram

### 8.2.3 MII AC Timing Specifications

This section describes the MII transmit and receive AC timing specifications.

#### 8.2.3.1 MII Transmit AC Timing Specifications

This table provides the MII transmit AC timing specifications.

Table 28. MII Transmit AC Timing Specifications

Parameter/Condition	Symbol <sup>1</sup>	Min	Typ	Max	Unit
TX_CLK clock period 10 Mbps	$t_{MTX}^2$	—	400	—	ns
TX_CLK clock period 100 Mbps	$t_{MTX}$	—	40	—	ns
TX_CLK duty cycle	$t_{MTXH}/t_{MTX}$	35	—	65	%
TX_CLK to MII data TXD[3:0], TX_ER, TX_EN delay	$t_{MTKHDX}$	1	5	15	ns
TX_CLK data clock rise (20%–80%)	$t_{MTXR}^2$	1.0	—	4.0	ns
TX_CLK data clock fall (80%–20%)	$t_{MTXF}^2$	1.0	—	4.0	ns

**Notes:**

- The symbols used for timing specifications follow the pattern of  $t_{(first\ two\ letters\ of\ functional\ block)(signal)(state)(reference)(state)}$  for inputs and  $t_{(first\ two\ letters\ of\ functional\ block)(reference)(state)(signal)(state)}$  for outputs. For example,  $t_{MTKHDX}$  symbolizes MII transmit timing (MT) for the time  $t_{MTX}$  clock reference (K) going high (H) until data outputs (D) are invalid (X). Note that, in general, the clock reference symbol representation is based on two to three letters representing the clock of a particular functional. For example, the subscript of  $t_{MTX}$  represents the MII(M) transmit (TX) clock. For rise and fall times, the latter convention is used with the appropriate letter: R (rise) or F (fall).
- Guaranteed by design.



Figure 11 shows the MII transmit AC timing diagram.

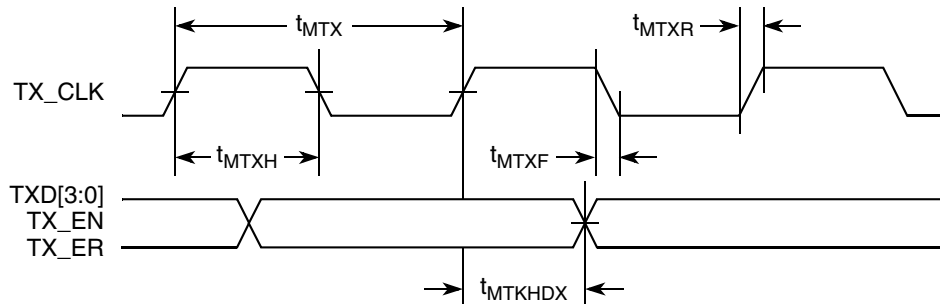


Figure 11. MII Transmit AC Timing Diagram

### 8.2.3.2 MII Receive AC Timing Specifications

This table provides the MII receive AC timing specifications.

Table 29. MII Receive AC Timing Specifications

Parameter/Condition	Symbol <sup>1</sup>	Min	Typ	Max	Unit
RX_CLK clock period 10 Mbps	$t_{MRX}^2$	—	400	—	ns
RX_CLK clock period 100 Mbps	$t_{MRX}$	—	40	—	ns
RX_CLK duty cycle	$t_{MRXH}/t_{MRX}$	35	—	65	%
RXD[3:0], RX_DV, RX_ER setup time to RX_CLK	$t_{MRDVKH}$	10.0	—	—	ns
RXD[3:0], RX_DV, RX_ER hold time to RX_CLK	$t_{MRDXKH}$	10.0	—	—	ns
RX_CLK clock rise (20%–80%)	$t_{MRXR}^2$	1.0	—	4.0	ns
RX_CLK clock fall time (80%–20%)	$t_{MRXF}^2$	1.0	—	4.0	ns

**Notes:**

- The symbols used for timing specifications follow the pattern of  $t_{(\text{first two letters of functional block})(\text{signal})(\text{state})(\text{reference})(\text{state})}$  for inputs and  $t_{(\text{first two letters of functional block})(\text{reference})(\text{state})(\text{signal})(\text{state})}$  for outputs. For example,  $t_{MRDVKH}$  symbolizes MII receive timing (MR) with respect to the time data input signals (D) reach the valid state (V) relative to the  $t_{MRX}$  clock reference (K) going to the high (H) state or setup time. Also,  $t_{MRDXKL}$  symbolizes MII receive timing (GR) with respect to the time data input signals (D) went invalid (X) relative to the  $t_{MRX}$  clock reference (K) going to the low (L) state or hold time. Note that, in general, the clock reference symbol representation is based on three letters representing the clock of a particular functional. For example, the subscript of  $t_{MRX}$  represents the MII (M) receive (RX) clock. For rise and fall times, the latter convention is used with the appropriate letter: R (rise) or F (fall).
- Guaranteed by design.

Figure 12 provides the AC test load for eTSEC.

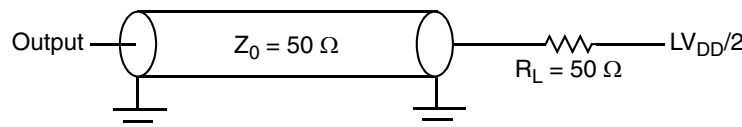


Figure 12. eTSEC AC Test Load

Figure 13 shows the MII receive AC timing diagram.

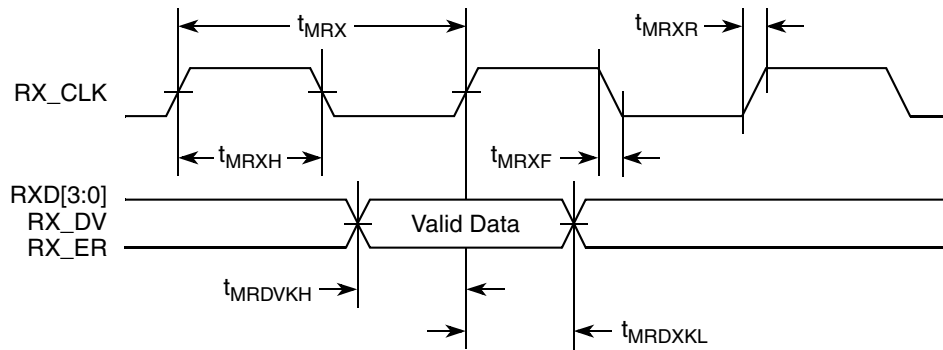


Figure 13. MII Receive AC Timing Diagram

## 8.2.4 TBI AC Timing Specifications

This section describes the TBI transmit and receive AC timing specifications.

### 8.2.4.1 TBI Transmit AC Timing Specifications

This table provides the TBI transmit AC timing specifications.

Table 30. TBI Transmit AC Timing Specifications

Parameter/Condition	Symbol <sup>1</sup>	Min	Typ	Max	Unit
TCG[9:0] setup time GTX_CLK going high	$t_{TTKHDV}$	2.0	—	—	ns
TCG[9:0] hold time from GTX_CLK going high	$t_{TTKHDX}$	1.0	—	—	ns
GTX_CLK rise (20%–80%)	$t_{TTXR}^2$	—	—	1.0	ns
GTX_CLK fall time (80%–20%)	$t_{TTXF}^2$	—	—	1.0	ns

**Notes:**

- The symbols used for timing specifications follow the pattern of  $t_{(first\ two\ letters\ of\ functional\ block)(signal)(state)(reference)(state)}$  for inputs and  $t_{(first\ two\ letters\ of\ functional\ block)(reference)(state)(signal)(state)}$  for outputs. For example,  $t_{TTKHDV}$  symbolizes the TBI transmit timing (TT) with respect to the time from  $t_{TTX}$  (K) going high (H) until the referenced data signals (D) reach the valid state (V) or setup time. Also,  $t_{TTKHDX}$  symbolizes the TBI transmit timing (TT) with respect to the time from  $t_{TTX}$  (K) going high (H) until the referenced data signals (D) reach the invalid state (X) or hold time. Note that, in general, the clock reference symbol representation is based on three letters representing the clock of a particular functional. For example, the subscript of  $t_{TTX}$  represents the TBI (T) transmit (TX) clock. For rise and fall times, the latter convention is used with the appropriate letter: R (rise) or F (fall).
- Guaranteed by design.

Figure 14 shows the TBI transmit AC timing diagram.

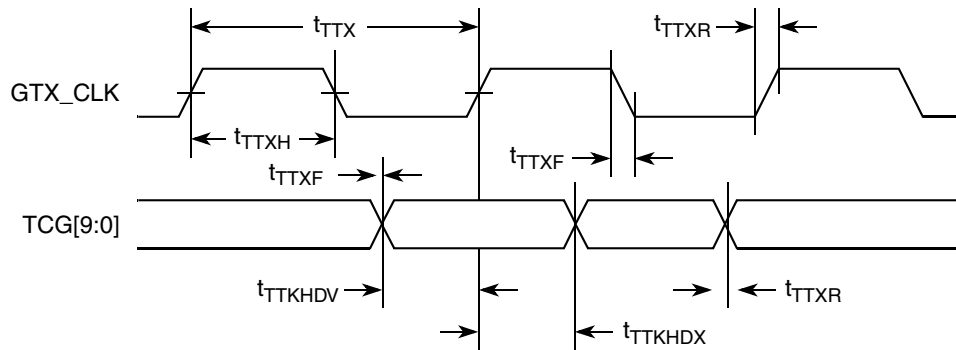


Figure 14. TBI Transmit AC Timing Diagram

### 8.2.4.2 TBI Receive AC Timing Specifications

This table provides the TBI receive AC timing specifications.

Table 31. TBI Receive AC Timing Specifications

Parameter/Condition	Symbol <sup>1</sup>	Min	Typ	Max	Unit
TSECN_RX_CLK[0:1] clock period	$t_{TRX}$	—	16.0	—	ns
TSECN_RX_CLK[0:1] skew	$t_{SKTRX}$	7.5	—	8.5	ns
TSECN_RX_CLK[0:1] duty cycle	$t_{TRXH}/t_{TRXF}$	40	—	60	%
RCG[9:0] setup time to rising TSECN_RX_CLK	$t_{TRDVKH}$	2.5	—	—	ns
RCG[9:0] hold time to rising TSECN_RX_CLK	$t_{TRDXKH}$	1.5	—	—	ns
TSECN_RX_CLK[0:1] clock rise time (20%–80%)	$t_{TRXR}^2$	0.7	—	2.4	ns
TSECN_RX_CLK[0:1] clock fall time (80%–20%)	$t_{TRXF}^2$	0.7	—	2.4	ns

**Notes:**

- The symbols used for timing specifications follow the pattern of  $t_{(\text{first two letters of functional block})(\text{signal})(\text{state})(\text{reference})(\text{state})}$  for inputs and  $t_{(\text{first two letters of functional block})(\text{reference})(\text{state})(\text{signal})(\text{state})}$  for outputs. For example,  $t_{TRDVKH}$  symbolizes TBI receive timing (TR) with respect to the time data input signals (D) reach the valid state (V) relative to the  $t_{TRX}$  clock reference (K) going to the high (H) state or setup time. Also,  $t_{TRDXKH}$  symbolizes TBI receive timing (TR) with respect to the time data input signals (D) went invalid (X) relative to the  $t_{TRX}$  clock reference (K) going to the high (H) state. Note that, in general, the clock reference symbol representation is based on three letters representing the clock of a particular functional. For example, the subscript of  $t_{TRX}$  represents the TBI (T) receive (RX) clock. For rise and fall times, the latter convention is used with the appropriate letter: R (rise) or F (fall). For symbols representing skews, the subscript is skew (SK) followed by the clock that is being skewed (TRX).
- Guaranteed by design.

Figure 15 shows the TBI receive AC timing diagram.

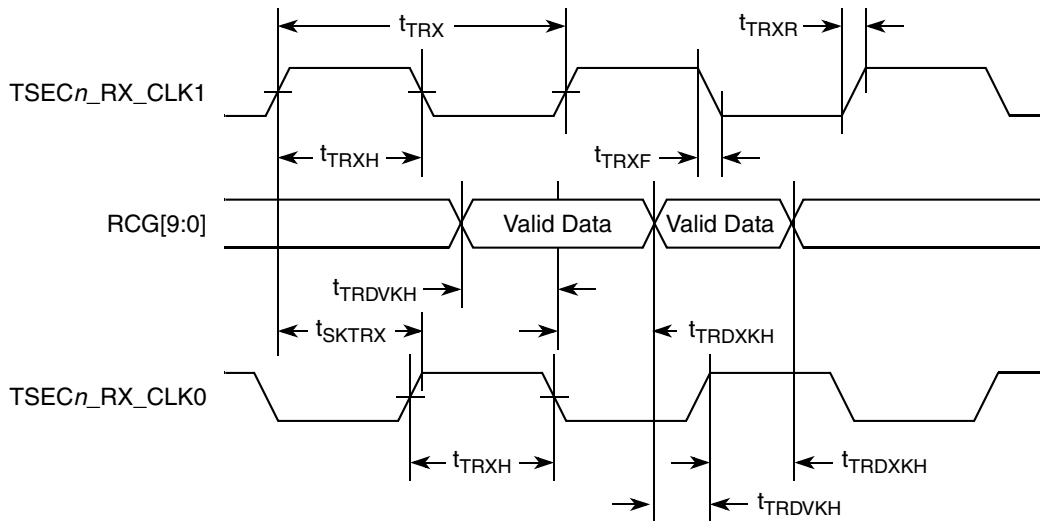


Figure 15. TBI Receive AC Timing Diagram

## 8.2.5 TBI Single-Clock Mode AC Specifications

When the eTSEC is configured for TBI modes, all clocks are supplied from external sources to the relevant eTSEC interface. In single-clock TBI mode, when  $TBICON[CLKSEL] = 1$ , a 125-MHz TBI receive clock is supplied on the  $TSECn\_RX\_CLK$  pin (no receive clock is used on  $TSECn\_TX\_CLK$  in this mode, whereas for the dual-clock mode this is the PMA1 receive clock). The 125-MHz transmit clock is applied on the  $TSEC\_GTX\_CLK125$  pin in all TBI modes.

A summary of the single-clock TBI mode AC specifications for receive appears in [Table 32](#).

Table 32. TBI single-clock Mode Receive AC Timing Specification

Parameter/Condition	Symbol	Min	Typ	Max	Unit
RX_CLK clock period	$t_{TRRX}$	7.5	8.0	8.5	ns
RX_CLK duty cycle	$t_{TRRH}/t_{TRRX}$	40	50	60	%
RX_CLK peak-to-peak jitter	$t_{TRRJ}$	—	—	250	ps
Rise time RX_CLK (20%–80%)	$t_{TRRR}$	—	—	1.0	ns
Fall time RX_CLK (80%–20%)	$t_{TRRF}$	—	—	1.0	ns
RCG[9:0] setup time to RX_CLK rising edge	$t_{TRRDVKH}$	2.0	—	—	ns
RCG[9:0] hold time to RX_CLK rising edge	$t_{TRRDVKH}$	1.0	—	—	ns

A timing diagram for TBI receive appears in Figure 16.

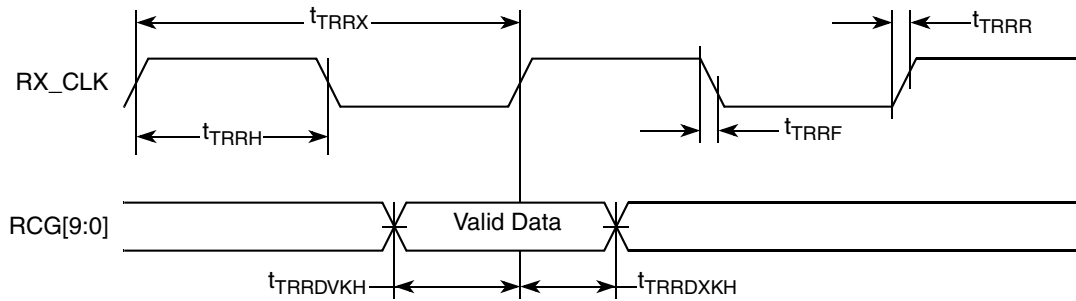


Figure 16. TBI Single-Clock Mode Receive AC Timing Diagram

## 8.2.6 RGMII and RTBI AC Timing Specifications

This table presents the RGMII and RTBI AC timing specifications.

Table 33. RGMII and RTBI AC Timing Specifications

Parameter/Condition	Symbol <sup>1</sup>	Min	Typ	Max	Unit
Data to clock output skew (at transmitter)	$t_{SKRGT}^5$	-500 <sup>6</sup>	0	500 <sup>6</sup>	ps
Data to clock input skew (at receiver) <sup>2</sup>	$t_{SKRGT}$	1.0	—	2.8	ns
Clock period <sup>3</sup>	$t_{RGT}^5$	7.2	8.0	8.8	ns
Duty cycle for 10BASE-T and 100BASE-TX <sup>3, 4</sup>	$t_{RGTH}/t_{RGT}^5$	45	50	55	%
Rise time (20%–80%)	$t_{RGTR}^5$	—	—	0.75	ns
Fall time (20%–80%)	$t_{RGTF}^5$	—	—	0.75	ns

### Notes:

- In general, the clock reference symbol representation for this section is based on the symbols RGT to represent RGMII and RTBI timing. For example, the subscript of  $t_{RGT}$  represents the TBI (T) receive (RX) clock. Note also that the notation for rise (R) and fall (F) times follows the clock symbol that is being represented. For symbols representing skews, the subscript is skew (SK) followed by the clock that is being skewed (RGT).
- This implies that PC board design requires clocks to be routed such that an additional trace delay of greater than 1.5 ns is added to the associated clock signal.
- For 10 and 100 Mbps,  $t_{RGT}$  scales to 400 ns  $\pm$  40 ns and 40 ns  $\pm$  4 ns, respectively.
- Duty cycle may be stretched/shrunk during speed changes or while transitioning to a received packet's clock domains as long as the minimum duty cycle is not violated and stretching occurs for no more than three  $t_{RGT}$  of the lowest speed transitioned between.
- Guaranteed by characterization.
- In rev 1.0 silicon, due to errata,  $t_{SKRGT}$  is -650 ps (min) and 650 ps (max). See "eTSEC 10" in the device errata document.

Figure 17 shows the RGMII and RTBI AC timing and multiplexing diagrams.

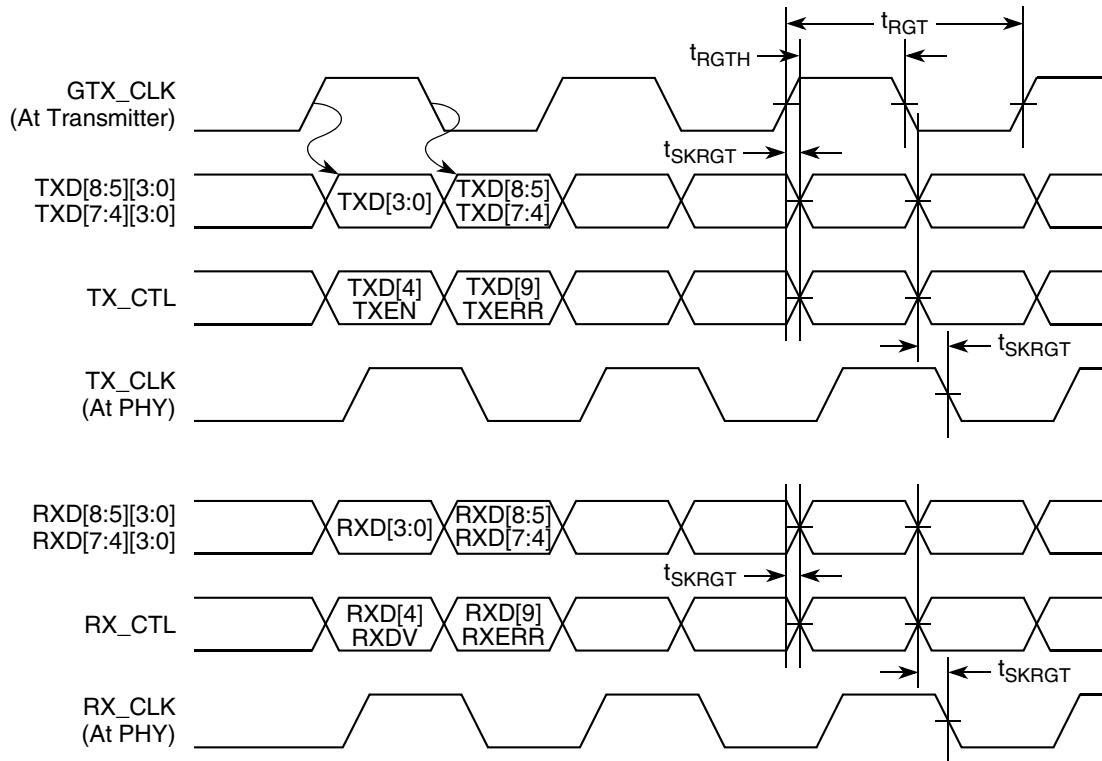


Figure 17. RGMII and RTBI AC Timing and Multiplexing Diagrams

## 8.2.7 RMI AC Timing Specifications

This section describes the RMI transmit and receive AC timing specifications.

### 8.2.7.1 RMI Transmit AC Timing Specifications

The RMI transmit AC timing specifications are in this table.

Table 34. RMI Transmit AC Timing Specifications

Parameter/Condition	Symbol <sup>1</sup>	Min	Typ	Max	Unit
TSEC <sub>n</sub> _TX_CLK clock period	$t_{RMT}$	15.0	20.0	25.0	ns
TSEC <sub>n</sub> _TX_CLK duty cycle	$t_{RMTH}$	35	50	65	%
TSEC <sub>n</sub> _TX_CLK peak-to-peak jitter	$t_{RMTJ}$	—	—	250	ps
Rise time TSEC <sub>n</sub> _TX_CLK (20%–80%)	$t_{RMTR}$	1.0	—	2.0	ns
Fall time TSEC <sub>n</sub> _TX_CLK (80%–20%)	$t_{RMTF}$	1.0	—	2.0	ns

Table 34. RMIIT Transmit AC Timing Specifications (continued)

Parameter/Condition	Symbol <sup>1</sup>	Min	Typ	Max	Unit
TSEC <sub>n</sub> _TX_CLK to RMIIT data TXD[1:0], TX_EN delay	t <sub>RMTDX</sub>	1.0	—	10.0	ns

**Note:**

1. The symbols used for timing specifications follow the pattern of t<sub>(first two letters of functional block)(signal)(state)(reference)(state)</sub> for inputs and t<sub>(first two letters of functional block)(reference)(state)(signal)(state)</sub> for outputs. For example, t<sub>MTKHDX</sub> symbolizes MII transmit timing (MT) for the time t<sub>MTX</sub> clock reference (K) going high (H) until data outputs (D) are invalid (X). Note that, in general, the clock reference symbol representation is based on two to three letters representing the clock of a particular functional. For example, the subscript of t<sub>MTX</sub> represents the MII(M) transmit (TX) clock. For rise and fall times, the latter convention is used with the appropriate letter: R (rise) or F (fall).

Figure 18 shows the RMIIT transmit AC timing diagram.

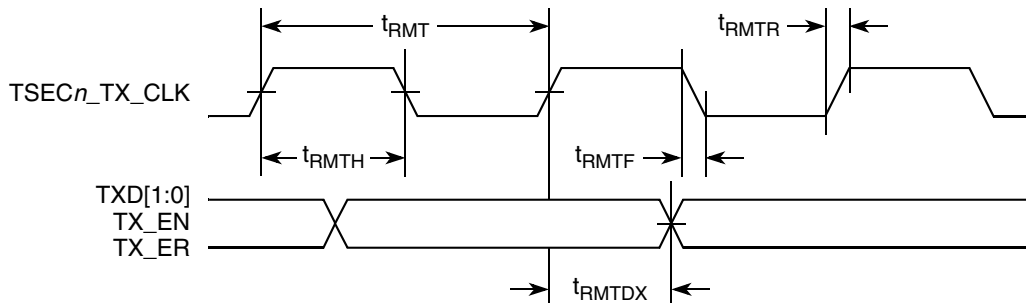


Figure 18. RMIIT Transmit AC Timing Diagram

### 8.2.7.2 RMIIT Receive AC Timing Specifications

Table 35. RMIIT Receive AC Timing Specifications

Parameter/Condition	Symbol <sup>1</sup>	Min	Typ	Max	Unit
TSEC <sub>n</sub> _TX_CLK clock period	t <sub>RMR</sub>	15.0	20.0	25.0	ns
TSEC <sub>n</sub> _TX_CLK duty cycle	t <sub>RMRH</sub>	35	50	65	%
TSEC <sub>n</sub> _TX_CLK peak-to-peak jitter	t <sub>RMRJ</sub>	—	—	250	ps
Rise time TSEC <sub>n</sub> _TX_CLK(20%–80%)	t <sub>RMRR</sub>	1.0	—	2.0	ns
Fall time TSEC <sub>n</sub> _TX_CLK (80%–20%)	t <sub>RMRF</sub>	1.0	—	2.0	ns
RXD[1:0], CRS_DV, RX_ER setup time to REF_CLK rising edge	t <sub>RMRDV</sub>	4.0	—	—	ns
RXD[1:0], CRS_DV, RX_ER hold time to REF_CLK rising edge	t <sub>RMRDV</sub>	2.0	—	—	ns

**Note:**

1. The symbols used for timing specifications follow the pattern of t<sub>(first two letters of functional block)(signal)(state)(reference)(state)</sub> for inputs and t<sub>(first two letters of functional block)(reference)(state)(signal)(state)</sub> for outputs. For example, t<sub>MRDVKH</sub> symbolizes MII receive timing (MR) with respect to the time data input signals (D) reach the valid state (V) relative to the t<sub>MRX</sub> clock reference (K) going to the high (H) state or setup time. Also, t<sub>MRDXKL</sub> symbolizes MII receive timing (GR) with respect to the time data input signals (D) went invalid (X) relative to the t<sub>MRX</sub> clock reference (K) going to the low (L) state or hold time. Note that, in general, the clock reference symbol representation is based on three letters representing the clock of a particular functional. For example, the subscript of t<sub>MRX</sub> represents the MII (M) receive (RX) clock. For rise and fall times, the latter convention is used with the appropriate letter: R (rise) or F (fall).

Figure 19 provides the AC test load for eTSEC.

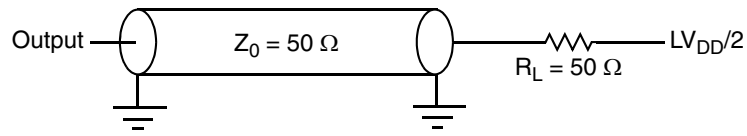


Figure 19. eTSEC AC Test Load

Figure 20 shows the RMII receive AC timing diagram.

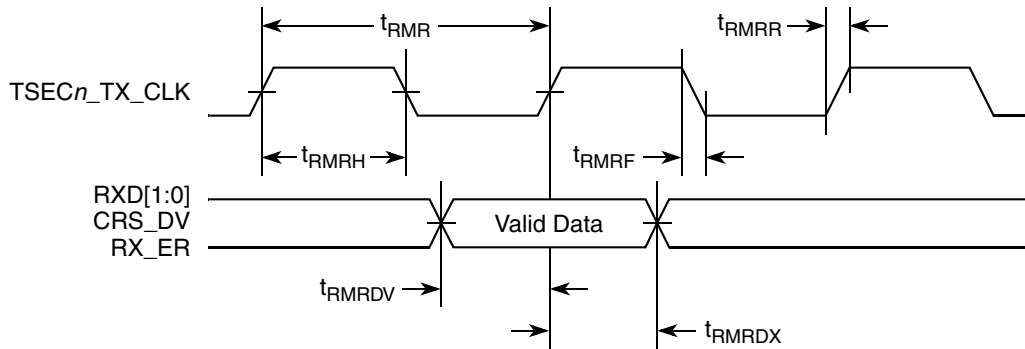


Figure 20. RMII Receive AC Timing Diagram



## 9 Ethernet Management Interface Electrical Characteristics

The electrical characteristics specified here apply to MII management interface signals MDIO (management data input/output) and MDC (management data clock). The electrical characteristics for GMII, RGMII, RMII, TBI, and RTBI are specified in “Section 8, “Enhanced Three-Speed Ethernet (eTSEC).”

### 9.1 MII Management DC Electrical Characteristics

The MDC and MDIO are defined to operate at a supply voltage of 3.3 V. The DC electrical characteristics for MDIO and MDC are provided in this table.

**Table 36. MII Management DC Electrical Characteristics**

Parameter	Symbol	Min	Max	Unit
Supply voltage (3.3 V)	$OV_{DD}$	3.13	3.47	V
Output high voltage ( $OV_{DD} = \text{Min}$ , $I_{OH} = -1.0 \text{ mA}$ )	$V_{OH}$	2.10	$OV_{DD} + 0.3$	V
Output low voltage ( $OV_{DD} = \text{Min}$ , $I_{OL} = 1.0 \text{ mA}$ )	$V_{OL}$	GND	0.50	V
Input high voltage	$V_{IH}$	2.0	—	V
Input low voltage	$V_{IL}$	—	0.90	V
Input high current ( $OV_{DD} = \text{Max}$ , $V_{IN}^1 = 2.1 \text{ V}$ )	$I_{IH}$	—	40	$\mu\text{A}$
Input low current ( $OV_{DD} = \text{Max}$ , $V_{IN} = 0.5 \text{ V}$ )	$I_{IL}$	-600	—	$\mu\text{A}$

**Note:**

1. Note that the symbol  $V_{IN}$ , in this case, represents the  $OV_{IN}$  symbol referenced in Table 1 and Table 2.

### 9.2 MII Management AC Electrical Specifications

This table provides the MII management AC timing specifications.

**Table 37. MII Management AC Timing Specifications**

At recommended operating conditions with  $OV_{DD}$  is  $3.3 \text{ V} \pm 5\%$ .

Parameter	Symbol <sup>1</sup>	Min	Typ	Max	Unit	Notes
MDC frequency	$f_{MDC}$	0.72	2.5	8.3	MHz	2, 3, 4
MDC period	$t_{MDC}$	120.5	—	1389	ns	—
MDC clock pulse width high	$t_{MDCH}$	32	—	—	ns	—
MDC to MDIO valid	$t_{MDKHDV}$	$16 \times t_{CCB}$	—	—	ns	5
MDC to MDIO delay	$t_{MDKHDX}$	$(16 \times t_{CCB} \times 8) - 3$	—	$(16 \times t_{CCB} \times 8) + 3$	ns	5
MDIO to MDC setup time	$t_{MDDVKH}$	5	—	—	ns	—
MDIO to MDC hold time	$t_{MDDXKH}$	0	—	—	ns	—
MDC rise time	$t_{MDCR}$	—	—	10	ns	4

**Table 37. MII Management AC Timing Specifications (continued)**

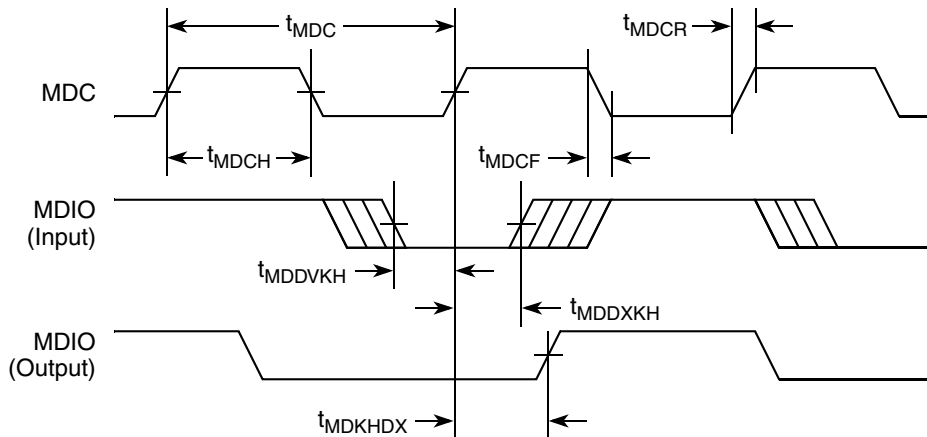
At recommended operating conditions with  $OV_{DD}$  is 3.3 V  $\pm$  5%.

Parameter	Symbol <sup>1</sup>	Min	Typ	Max	Unit	Notes
MDC fall time	$t_{MDHF}$	—		10	ns	4

**Notes:**

- The symbols used for timing specifications follow the pattern of  $t_{(\text{first two letters of functional block})(\text{signal})(\text{reference})(\text{state})}$  for inputs and  $t_{(\text{first two letters of functional block})(\text{reference})(\text{state})(\text{signal})(\text{state})}$  for outputs. For example,  $t_{MDKHDX}$  symbolizes management data timing (MD) for the time  $t_{MDC}$  from clock reference (K) high (H) until data outputs (D) are invalid (X) or data hold time. Also,  $t_{MDDVKH}$  symbolizes management data timing (MD) with respect to the time data input signals (D) reach the valid state (V) relative to the  $t_{MDC}$  clock reference (K) going to the high (H) state or setup time. For rise and fall times, the latter convention is used with the appropriate letter: R (rise) or F (fall).
- This parameter is dependent on the eTSEC system clock speed, which is half of the Platform Frequency ( $f_{CCB}$ ). The actual ECn\_MDC output clock frequency for a specific eTSEC port can be programmed by configuring the MgmtClk bit field of device's MIIMCFG register, based on the platform (CCB) clock running for the device. The formula is: Platform Frequency (CCB)  $\div$  (2  $\times$  Frequency Divider determined by MIIMCFG[MgmtClk] encoding selection). For example, if MIIMCFG[MgmtClk] = 000 and the platform (CCB) is currently running at 533 MHz,  $f_{MDC} = 533 \div (2 \times 4 \times 8) = 533 \div 64 = 8.3$  MHz. That is, for a system running at a particular platform frequency ( $f_{CCB}$ ), the ECn\_MDC output clock frequency can be programmed between maximum  $f_{MDC} = f_{CCB} \div 64$  and minimum  $f_{MDC} = f_{CCB} \div 448$ . See 14.5.3.6.6, "MII Management Configuration Register (MIIMCFG)," in the MPC8548E PowerQUICC™ III Integrated Processor Family Reference Manual for more detail.
- The maximum ECn\_MDC output clock frequency is defined based on the maximum platform frequency for device (533 MHz) divided by 64, while the minimum ECn\_MDC output clock frequency is defined based on the minimum platform frequency for device (333 MHz) divided by 448, following the formula described in Note 2 above.
- Guaranteed by design.
- $t_{CCB}$  is the platform (CCB) clock period.

Figure 21 shows the MII management AC timing diagram.



**Figure 21. MII Management Interface Timing Diagram**

## 10 Local Bus

This section describes the DC and AC electrical specifications for the local bus interface of the device.

### 10.1 Local Bus DC Electrical Characteristics

This table provides the DC electrical characteristics for the local bus interface operating at  $BV_{DD} = 3.3$  V DC.

**Table 38. Local Bus DC Electrical Characteristics (3.3 V DC)**

Parameter	Symbol	Min	Max	Unit
High-level input voltage	$V_{IH}$	2	$BV_{DD} + 0.3$	V
Low-level input voltage	$V_{IL}$	-0.3	0.8	V
Input current ( $V_{IN}^1 = 0$ V or $V_{IN} = BV_{DD}$ )	$I_{IN}$	—	$\pm 5$	$\mu$ A
High-level output voltage ( $BV_{DD} = \text{min}$ , $I_{OH} = -2$ mA)	$V_{OH}$	2.4	—	V
Low-level output voltage ( $BV_{DD} = \text{min}$ , $I_{OL} = 2$ mA)	$V_{OL}$	—	0.4	V

**Note:**

- Note that the symbol  $V_{IN}$ , in this case, represents the  $BV_{IN}$  symbol referenced in [Table 1](#) and [Table 2](#).

[Table 39](#) provides the DC electrical characteristics for the local bus interface operating at  $BV_{DD} = 2.5$  V DC.

**Table 39. Local Bus DC Electrical Characteristics (2.5 V DC)**

Parameter	Symbol	Min	Max	Unit
High-level input voltage	$V_{IH}$	1.70	$BV_{DD} + 0.3$	V
Low-level input voltage	$V_{IL}$	-0.3	0.7	V
Input current ( $V_{IN}^1 = 0$ V or $V_{IN} = BV_{DD}$ )	$I_{IH}$	—	10	$\mu$ A
	$I_{IL}$		-15	
High-level output voltage ( $BV_{DD} = \text{min}$ , $I_{OH} = -1$ mA)	$V_{OH}$	2.0	—	V
Low-level output voltage ( $BV_{DD} = \text{min}$ , $I_{OL} = 1$ mA)	$V_{OL}$	—	0.4	V

**Note:**

- Note that the symbol  $V_{IN}$ , in this case, represents the  $BV_{IN}$  symbol referenced in [Table 1](#) and [Table 2](#).

## 10.2 Local Bus AC Electrical Specifications

This table describes the timing parameters of the local bus interface at  $BV_{DD} = 3.3$  V. For information about the frequency range of local bus, see [Section 20.1, “Clock Ranges.”](#)

**Table 40. Local Bus Timing Parameters ( $BV_{DD} = 3.3$  V)—PLL Enabled**

Parameter	Symbol <sup>1</sup>	Min	Max	Unit	Notes
Local bus cycle time	$t_{LBK}$	7.5	12	ns	2
Local bus duty cycle	$t_{LBKH}/t_{LBK}$	43	57	%	—
LCLK[n] skew to LCLK[m] or LSYNC_OUT	$t_{LBKSKEW}$	—	150	ps	7, 8
Input setup to local bus clock (except $\overline{LGTA}/LUPWAIT$ )	$t_{LBIVKH1}$	1.8	—	ns	3, 4
$\overline{LGTA}/LUPWAIT$ input setup to local bus clock	$t_{LBIVKH2}$	1.7	—	ns	3, 4
Input hold from local bus clock (except $\overline{LGTA}/LUPWAIT$ )	$t_{LBIXKH1}$	1.0	—	ns	3, 4
$\overline{LGTA}/LUPWAIT$ input hold from local bus clock	$t_{LBIXKH2}$	1.0	—	ns	3, 4
LALE output transition to LAD/LDP output transition (LATCH hold time)	$t_{LBOTOT}$	1.5	—	ns	6
Local bus clock to output valid (except LAD/LDP and LALE)	$t_{LBKHOV1}$	—	2.0	ns	—
Local bus clock to data valid for LAD/LDP	$t_{LBKHOV2}$	—	2.2	ns	3
Local bus clock to address valid for LAD	$t_{LBKHOV3}$	—	2.3	ns	3
Local bus clock to LALE assertion	$t_{LBKHOV4}$	—	2.3	ns	3
Output hold from local bus clock (except LAD/LDP and LALE)	$t_{LBKHOX1}$	0.7	—	ns	3
Output hold from local bus clock for LAD/LDP	$t_{LBKHOX2}$	0.7	—	ns	3
Local bus clock to output high Impedance (except LAD/LDP and LALE)	$t_{LBKHOZ1}$	—	2.5	ns	5
Local bus clock to output high impedance for LAD/LDP	$t_{LBKHOZ2}$	—	2.5	ns	5

### Notes:

- The symbols used for timing specifications follow the pattern of  $t_{(\text{first two letters of functional block})(\text{signal})(\text{state})(\text{reference})(\text{state})}$  for inputs and  $t_{(\text{first two letters of functional block})(\text{reference})(\text{state})(\text{signal})(\text{state})}$  for outputs. For example,  $t_{LBIXKH1}$  symbolizes local bus timing (LB) for the input (I) to go invalid (X) with respect to the time the  $t_{LBK}$  clock reference (K) goes high (H), in this case for clock one (1). Also,  $t_{LBKHOX}$  symbolizes local bus timing (LB) for the  $t_{LBK}$  clock reference (K) to go high (H), with respect to the output (O) going invalid (X) or output hold time.
- All timings are in reference to LSYNC\_IN for PLL enabled and internal local bus clock for PLL bypass mode.
- All signals are measured from  $BV_{DD}/2$  of the rising edge of LSYNC\_IN for PLL enabled or internal local bus clock for PLL bypass mode to  $0.4 \times BV_{DD}$  of the signal in question for 3.3-V signaling levels.
- Input timings are measured at the pin.
- For purposes of active/float timing measurements, the Hi-Z or off state is defined to be when the total current delivered through the component pin is less than or equal to the leakage current specification.
- $t_{LBOTOT}$  is a measurement of the minimum time between the negation of LALE and any change in LAD.  $t_{LBOTOT}$  is programmed with the LBCR[AHD] parameter.
- Maximum possible clock skew between a clock LCLK[m] and a relative clock LCLK[n]. Skew measured between complementary signals at  $BV_{DD}/2$ .
- Guaranteed by design.

Table 41 describes the timing parameters of the local bus interface at  $BV_{DD} = 2.5$  V.

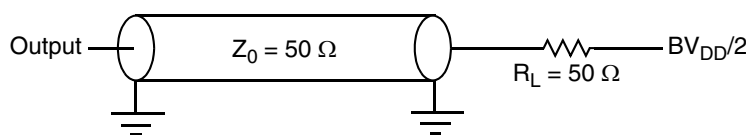
**Table 41. Local Bus Timing Parameters ( $BV_{DD} = 2.5$  V)—PLL Enabled**

Parameter	Symbol <sup>1</sup>	Min	Max	Unit	Notes
Local bus cycle time	$t_{LBK}$	7.5	12	ns	2
Local bus duty cycle	$t_{LBKH}/t_{LBK}$	43	57	%	—
LCLK[n] skew to LCLK[m] or LSYNC_OUT	$t_{LBKSKEW}$	—	150	ps	7, 8
Input setup to local bus clock (except $\overline{LGTA}/UPWAIT$ )	$t_{LBIVKH1}$	1.9	—	ns	3, 4
$\overline{LGTA}/LUPWAIT$ input setup to local bus clock	$t_{LBIVKH2}$	1.8	—	ns	3, 4
Input hold from local bus clock (except $\overline{LGTA}/LUPWAIT$ )	$t_{LBIXKH1}$	1.1	—	ns	3, 4
$\overline{LGTA}/LUPWAIT$ input hold from local bus clock	$t_{LBIXKH2}$	1.1	—	ns	3, 4
LALE output transition to LAD/LDP output transition (LATCH hold time)	$t_{LBOTOT}$	1.5	—	ns	6
Local bus clock to output valid (except LAD/LDP and LALE)	$t_{LBKHOV1}$	—	2.1	ns	—
Local bus clock to data valid for LAD/LDP	$t_{LBKHOV2}$	—	2.3	ns	3
Local bus clock to address valid for LAD	$t_{LBKHOV3}$	—	2.4	ns	3
Local bus clock to LALE assertion	$t_{LBKHOV4}$	—	2.4	ns	3
Output hold from local bus clock (except LAD/LDP and LALE)	$t_{LBKHOX1}$	0.8	—	ns	3
Output hold from local bus clock for LAD/LDP	$t_{LBKHOX2}$	0.8	—	ns	3
Local bus clock to output high Impedance (except LAD/LDP and LALE)	$t_{LBKHOZ1}$	—	2.6	ns	5
Local bus clock to output high impedance for LAD/LDP	$t_{LBKHOZ2}$	—	2.6	ns	5

**Notes:**

- The symbols used for timing specifications follow the pattern of  $t_{(\text{first two letters of functional block})(\text{signal})(\text{state})(\text{reference})(\text{state})}$  for inputs and  $t_{(\text{first two letters of functional block})(\text{reference})(\text{state})(\text{signal})(\text{state})}$  for outputs. For example,  $t_{LBIXKH1}$  symbolizes local bus timing (LB) for the input (I) to go invalid (X) with respect to the time the  $t_{LBK}$  clock reference (K) goes high (H), in this case for clock one (1). Also,  $t_{LBKHOX}$  symbolizes local bus timing (LB) for the  $t_{LBK}$  clock reference (K) to go high (H), with respect to the output (O) going invalid (X) or output hold time.
- All timings are in reference to LSYNC\_IN for PLL enabled and internal local bus clock for PLL bypass mode.
- All signals are measured from  $BV_{DD}/2$  of the rising edge of LSYNC\_IN for PLL enabled or internal local bus clock for PLL bypass mode to  $0.4 \times BV_{DD}$  of the signal in question for 3.3-V signaling levels.
- Input timings are measured at the pin.
- For purposes of active/float timing measurements, the Hi-Z or off state is defined to be when the total current delivered through the component pin is less than or equal to the leakage current specification.
- $t_{LBOTOT}$  is a measurement of the minimum time between the negation of LALE and any change in LAD.  $t_{LBOTOT}$  is programmed with the LBCR[AHD] parameter.
- Maximum possible clock skew between a clock LCLK[m] and a relative clock LCLK[n]. Skew measured between complementary signals at  $BV_{DD}/2$ .
- Guaranteed by design.

Figure 22 provides the AC test load for the local bus.

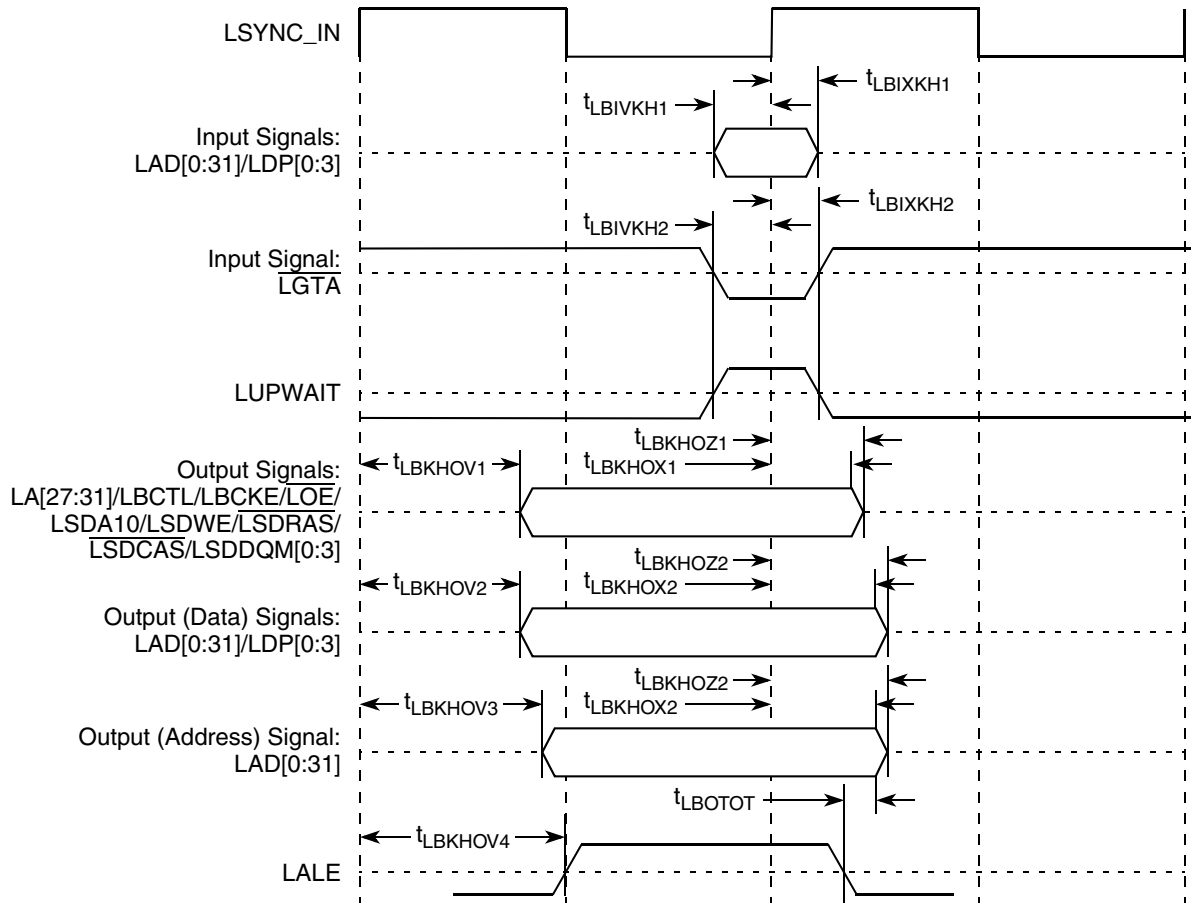


**Figure 22. Local Bus AC Test Load**

**NOTE**

PLL bypass mode is required when LBIU frequency is at or below 83 MHz. When LBIU operates above 83 MHz, LBIU PLL is recommended to be enabled.

Figure 23 through Figure 28 show the local bus signals.



**Figure 23. Local Bus Signals (PLL Enabled)**

This table describes the timing parameters of the local bus interface at  $BV_{DD} = 3.3\text{ V}$  with PLL disabled.

**Table 42. Local Bus Timing Parameters—PLL Bypassed**

Parameter	Symbol <sup>1</sup>	Min	Max	Unit	Notes
Local bus cycle time	$t_{LBK}$	12	—	ns	2
Local bus duty cycle	$t_{LBKH}/t_{LBK}$	43	57	%	—
Internal launch/capture clock to LCLK delay	$t_{LBKHT}$	2.3	4.4	ns	8
Input setup to local bus clock (except $\overline{LGTA}/\overline{LUPWAIT}$ )	$t_{LBIVKH1}$	6.2	—	ns	4, 5
$\overline{LGTA}/\overline{LUPWAIT}$ input setup to local bus clock	$t_{LBIVKL2}$	6.1	—	ns	4, 5
Input hold from local bus clock (except $\overline{LGTA}/\overline{LUPWAIT}$ )	$t_{LBIXKH1}$	—1.8	—	ns	4, 5

Table 42. Local Bus Timing Parameters—PLL Bypassed (continued)

Parameter	Symbol <sup>1</sup>	Min	Max	Unit	Notes
$\overline{\text{LGTA}}/\text{LUPWAIT}$ input hold from local bus clock	$t_{\text{LBIXKL2}}$	-1.3	—	ns	4, 5
LALE output transition to LAD/LDP output transition (LATCH hold time)	$t_{\text{LBOTOT}}$	1.5	—	ns	6
Local bus clock to output valid (except LAD/LDP and LALE)	$t_{\text{LBKLOV1}}$	—	-0.3	ns	—
Local bus clock to data valid for LAD/LDP	$t_{\text{LBKLOV2}}$	—	-0.1	ns	4
Local bus clock to address valid for LAD	$t_{\text{LBKLOV3}}$	—	0	ns	4
Local bus clock to LALE assertion	$t_{\text{LBKLOV4}}$	—	0	ns	4
Output hold from local bus clock (except LAD/LDP and LALE)	$t_{\text{LBKLOX1}}$	-3.7	—	ns	4
Output hold from local bus clock for LAD/LDP	$t_{\text{LBKLOX2}}$	-3.7	—	ns	4
Local bus clock to output high Impedance (except LAD/LDP and LALE)	$t_{\text{LBKLOZ1}}$	—	0.2	ns	7
Local bus clock to output high impedance for LAD/LDP	$t_{\text{LBKLOZ2}}$	—	0.2	ns	7

**Notes:**

- The symbols used for timing specifications follow the pattern of  $t_{(\text{first two letters of functional block})(\text{signal})(\text{state})(\text{reference})(\text{state})}$  for inputs and  $t_{(\text{first two letters of functional block})(\text{reference})(\text{state})(\text{signal})(\text{state})}$  for outputs. For example,  $t_{\text{LBIXKH1}}$  symbolizes local bus timing (LB) for the input (I) to go invalid (X) with respect to the time the  $t_{\text{LBK}}$  clock reference (K) goes high (H), in this case for clock one (1). Also,  $t_{\text{LBKHGX}}$  symbolizes local bus timing (LB) for the  $t_{\text{LBK}}$  clock reference (K) to go high (H), with respect to the output (O) going invalid (X) or output hold time.
- All timings are in reference to local bus clock for PLL bypass mode. Timings may be negative with respect to the local bus clock because the actual launch and capture of signals is done with the internal launch/capture clock, which precedes LCLK by  $t_{\text{LBKHKT}}$ .
- Maximum possible clock skew between a clock LCLK[m] and a relative clock LCLK[n]. Skew measured between complementary signals at  $BV_{\text{DD}}/2$ .
- All signals are measured from  $BV_{\text{DD}}/2$  of the rising edge of local bus clock for PLL bypass mode to  $0.4 \times BV_{\text{DD}}$  of the signal in question for 3.3-V signaling levels.
- Input timings are measured at the pin.
- The value of  $t_{\text{LBOTOT}}$  is the measurement of the minimum time between the negation of LALE and any change in LAD.
- For purposes of active/float timing measurements, the Hi-Z or off state is defined to be when the total current delivered through the component pin is less than or equal to the leakage current specification.
- Guaranteed by characterization.
- Guaranteed by design.

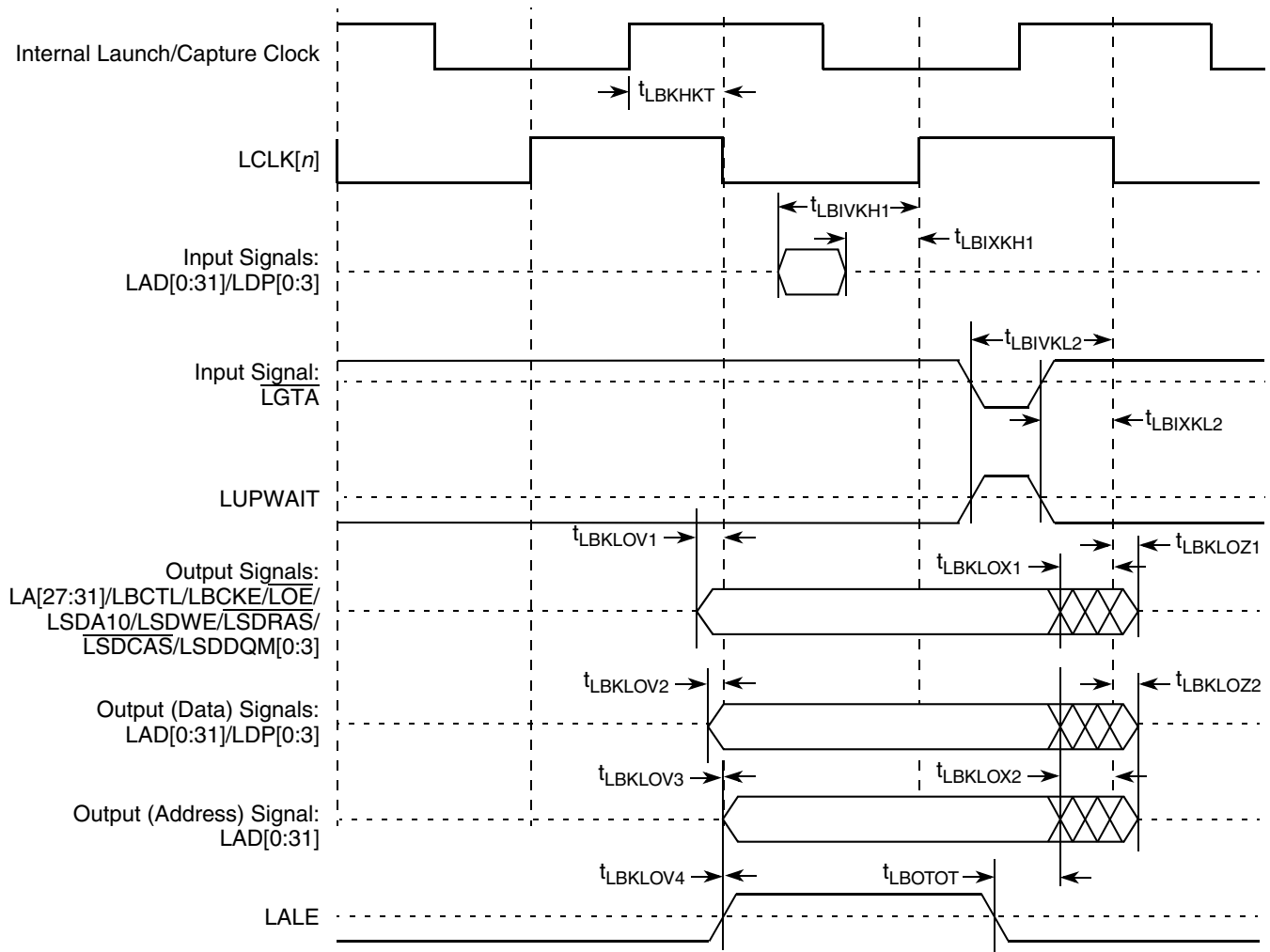


Figure 24. Local Bus Signals (PLL Bypass Mode)

**NOTE**

In PLL bypass mode, LCLK[n] is the inverted version of the internal clock with the delay of t<sub>LBKHKHT</sub>. In this mode, signals are launched at the rising edge of the internal clock and are captured at falling edge of the internal clock with the exception of LGTA/LUPWAIT (which is captured on the rising edge of the internal clock).



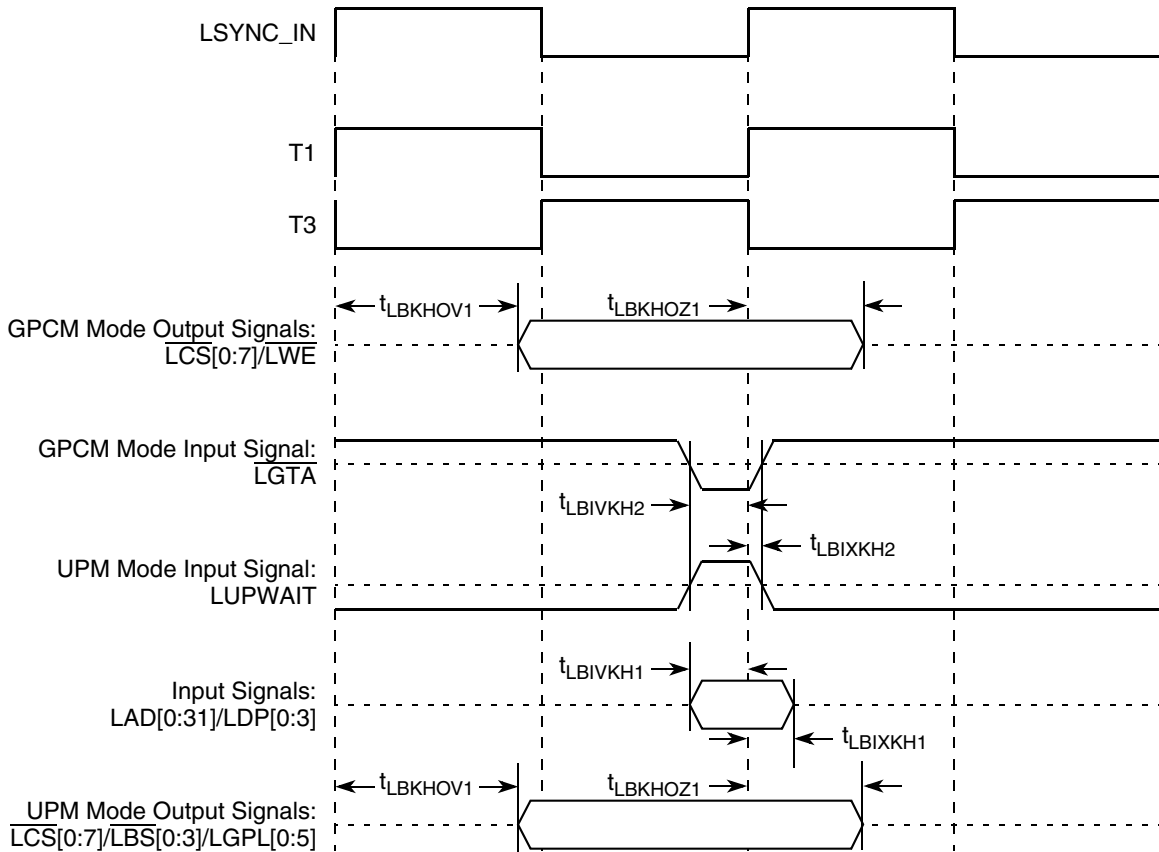


Figure 25. Local Bus Signals, GPCM/UPM Signals for LCCR[CLKDIV] = 4 (PLL Enabled)

Local Bus

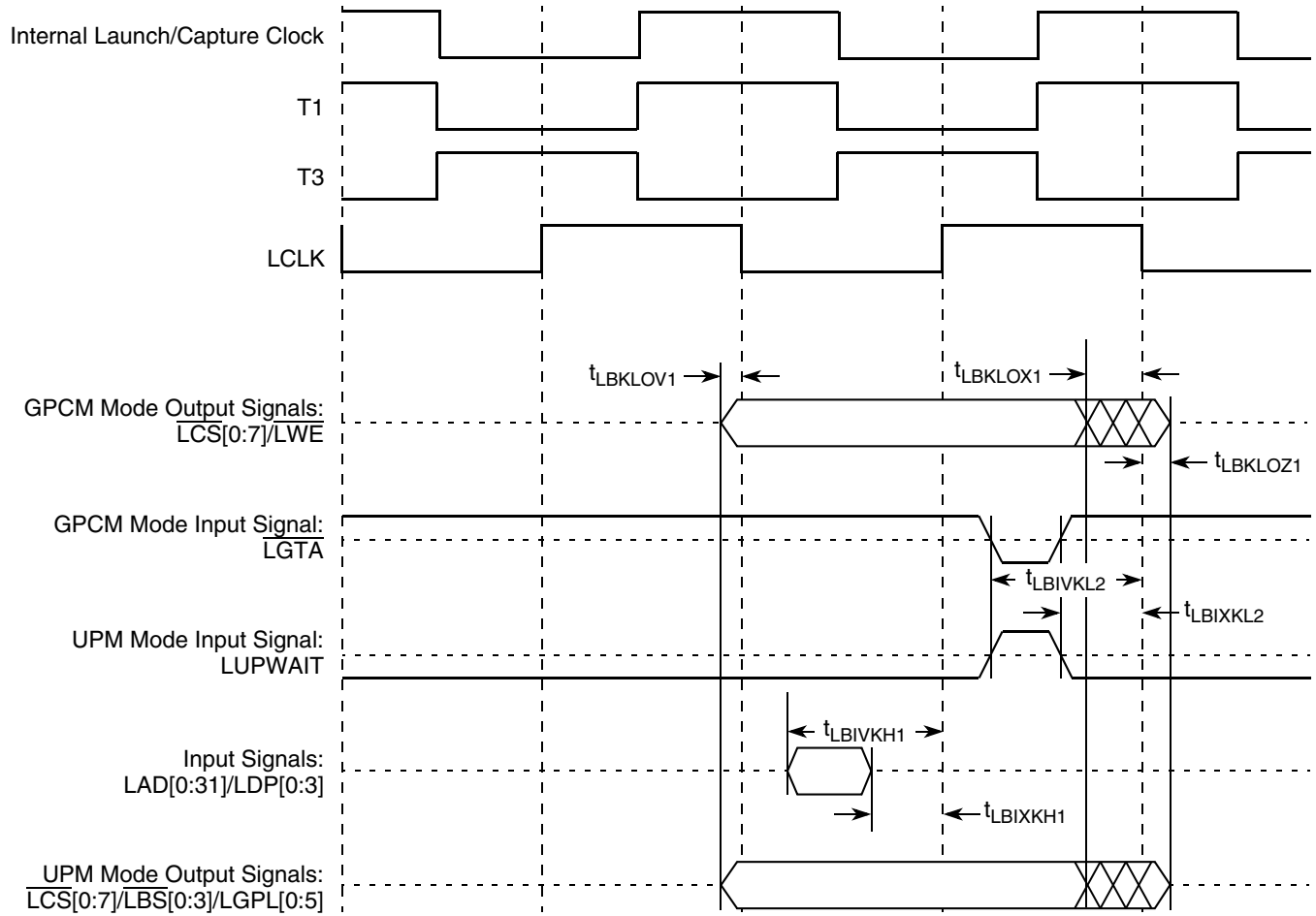


Figure 26. Local Bus Signals, GPCM/UPM Signals for LCCR[CLKDIV] = 4 (PLL Bypass Mode)

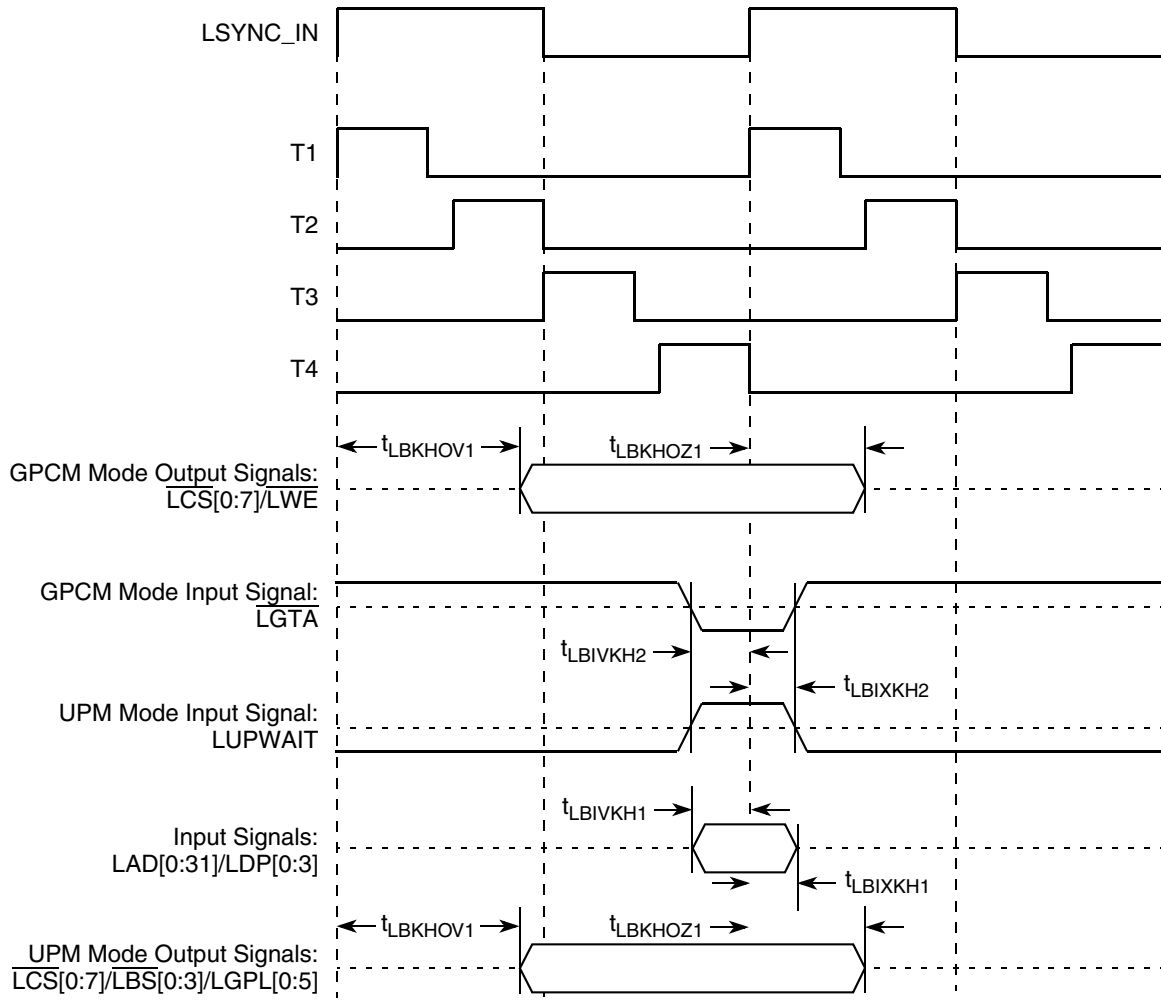


Figure 27. Local Bus Signals, GPCM/UPM Signals for LCCR[CLKDIV] = 8 or 16 (PLL Enabled)

Local Bus

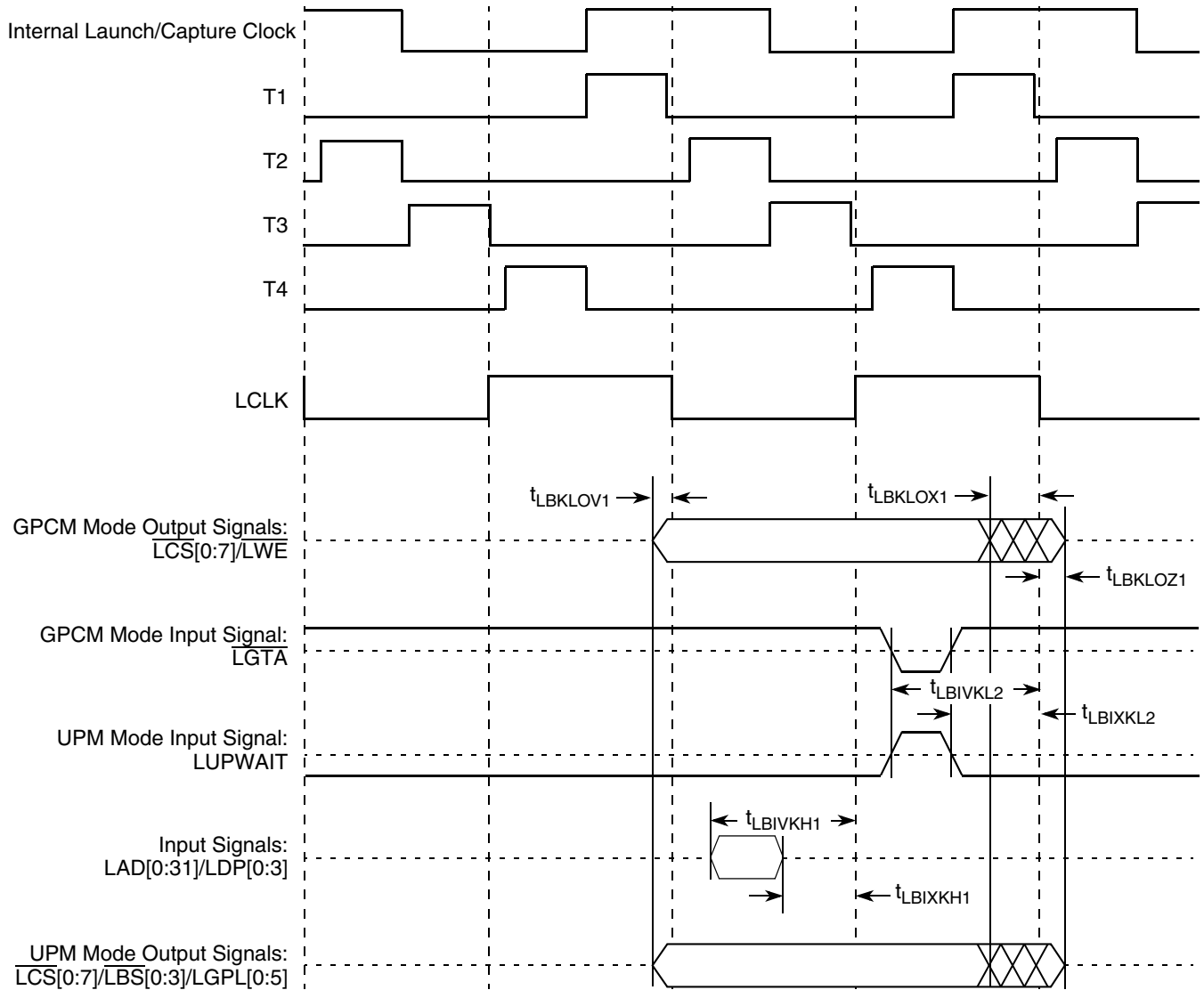


Figure 28. Local Bus Signals, GPCM/UPM Signals for LCCR[CLKDIV] = 8 or 16 (PLL Bypass Mode)

# 11 Programmable Interrupt Controller

In IRQ edge trigger mode, when an external interrupt signal is asserted (according to the programmed polarity), it must remain the assertion for at least 3 system clocks (SYSCLK periods).

## 12 JTAG

This section describes the DC and AC electrical specifications for the IEEE 1149.1 (JTAG) interface of the device.

### 12.1 JTAG DC Electrical Characteristics

This table provides the DC electrical characteristics for the JTAG interface.

**Table 43. JTAG DC Electrical Characteristics**

Parameter	Symbol <sup>1</sup>	Min	Max	Unit
High-level input voltage	$V_{IH}$	2	$OV_{DD} + 0.3$	V
Low-level input voltage	$V_{IL}$	-0.3	0.8	V
Input current ( $V_{IN}^1 = 0$ V or $V_{IN} = V_{DD}$ )	$I_{IN}$	—	±5	μA
High-level output voltage ( $OV_{DD} = \text{min}$ , $I_{OH} = -2$ mA)	$V_{OH}$	2.4	—	V
Low-level output voltage ( $OV_{DD} = \text{min}$ , $I_{OL} = 2$ mA)	$V_{OL}$	—	0.4	V

**Note:**

1. Note that the symbol  $V_{IN}$ , in this case, represents the  $OV_{IN}$ .

### 12.2 JTAG AC Electrical Specifications

This table provides the JTAG AC timing specifications as defined in [Figure 30](#) through [Figure 32](#).

**Table 44. JTAG AC Timing Specifications (Independent of SYSCLK)<sup>1</sup>**

Parameter	Symbol <sup>2</sup>	Min	Max	Unit	Notes
JTAG external clock frequency of operation	$f_{JTG}$	0	33.3	MHz	—
JTAG external clock cycle time	$t_{JTG}$	30	—	ns	—
JTAG external clock pulse width measured at 1.4 V	$t_{JTKHKL}$	15	—	ns	—
JTAG external clock rise and fall times	$t_{JTGR}$ & $t_{JTGF}$	0	2	ns	6
$\overline{TRST}$ assert time	$t_{TRST}$	25	—	ns	3
Input setup times:				ns	
Boundary-scan data TMS, TDI	$t_{JTDVKH}$ $t_{JTIVKH}$	4 0	— —		4
Input hold times:				ns	
Boundary-scan data TMS, TDI	$t_{JTDXKH}$ $t_{JTIXKH}$	20 25	— —		4

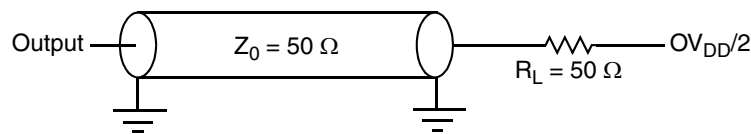
**Table 44. JTAG AC Timing Specifications (Independent of SYSCLK)<sup>1</sup> (continued)**

Parameter	Symbol <sup>2</sup>	Min	Max	Unit	Notes
Valid times: Boundary-scan data TDO	$t_{JTKLDV}$ $t_{JTKLOV}$	4 2	20 10	ns	5
Output hold times: Boundary-scan data TDO	$t_{JTKLDX}$ $t_{JTKLOX}$	30 30	— —	ns	5
JTAG external clock to output high impedance: Boundary-scan data TDO	$t_{JTKLDZ}$ $t_{JTKLOZ}$	3 3	19 9	ns	5, 6

**Notes:**

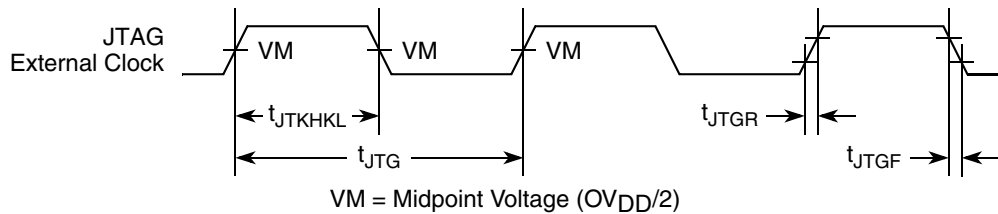
1. All outputs are measured from the midpoint voltage of the falling/rising edge of  $t_{TCLK}$  to the midpoint of the signal in question. The output timings are measured at the pins. All output timings assume a purely resistive 50-Ω load (see Figure 29). Time-of-flight delays must be added for trace lengths, vias, and connectors in the system.
2. The symbols used for timing specifications follow the pattern of  $t_{(first\ two\ letters\ of\ functional\ block)(signal)(state)(reference)(state)}$  for inputs and  $t_{(first\ two\ letters\ of\ functional\ block)(reference)(state)(signal)(state)}$  for outputs. For example,  $t_{JTDVXH}$  symbolizes JTAG device timing (JT) with respect to the time data input signals (D) reaching the valid state (V) relative to the  $t_{JTG}$  clock reference (K) going to the high (H) state or setup time. Also,  $t_{JTDXKH}$  symbolizes JTAG timing (JT) with respect to the time data input signals (D) went invalid (X) relative to the  $t_{JTG}$  clock reference (K) going to the high (H) state. Note that, in general, the clock reference symbol representation is based on three letters representing the clock of a particular functional. For rise and fall times, the latter convention is used with the appropriate letter: R (rise) or F (fall).
3.  $\overline{TRST}$  is an asynchronous level sensitive signal. The setup time is for test purposes only.
4. Non-JTAG signal input timing with respect to  $t_{TCLK}$ .
5. Non-JTAG signal output timing with respect to  $t_{TCLK}$ .
6. Guaranteed by design.

Figure 29 provides the AC test load for TDO and the boundary-scan outputs.



**Figure 29. AC Test Load for the JTAG Interface**

Figure 30 provides the JTAG clock input timing diagram.



**Figure 30. JTAG Clock Input Timing Diagram**

Figure 31 provides the  $\overline{\text{TRST}}$  timing diagram.

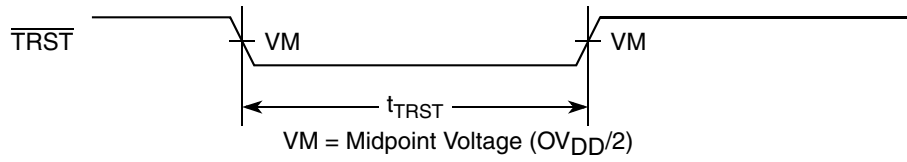


Figure 31.  $\overline{\text{TRST}}$  Timing Diagram

Figure 32 provides the boundary-scan timing diagram.

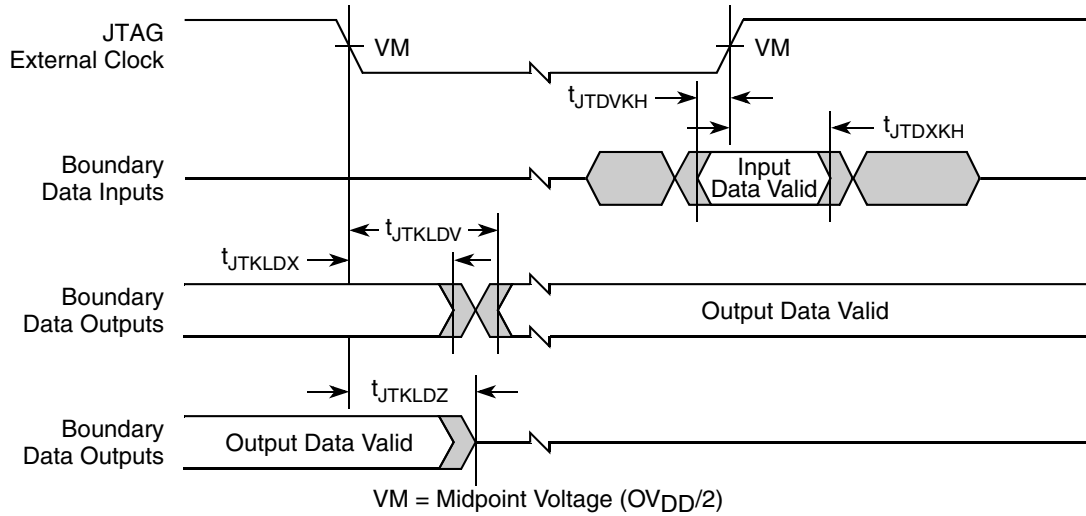


Figure 32. Boundary-Scan Timing Diagram

## 13 I<sup>2</sup>C

This section describes the DC and AC electrical characteristics for the I<sup>2</sup>C interfaces of the device.

### 13.1 I<sup>2</sup>C DC Electrical Characteristics

This table provides the DC electrical characteristics for the I<sup>2</sup>C interfaces.

**Table 45. I<sup>2</sup>C DC Electrical Characteristics**

Parameter	Symbol	Min	Max	Unit	Notes
Input high voltage level	V <sub>IH</sub>	0.7 × OV <sub>DD</sub>	OV <sub>DD</sub> + 0.3	V	—
Input low voltage level	V <sub>IL</sub>	−0.3	0.3 × OV <sub>DD</sub>	V	—
Low level output voltage	V <sub>OL</sub>	0	0.2 × OV <sub>DD</sub>	V	1
Pulse width of spikes which must be suppressed by the input filter	t <sub>I2KHKL</sub>	0	50	ns	2
Input current each I/O pin (input voltage is between 0.1 × OV <sub>DD</sub> and 0.9 × OV <sub>DD</sub> (max))	I <sub>I</sub>	−10	10	μA	3
Capacitance for each I/O pin	C <sub>I</sub>	—	10	pF	—

**Notes:**

- Output voltage (open drain or open collector) condition = 3 mA sink current.
- See the *MPC8548E PowerQUICC™ III Integrated Processor Family Reference Manual*, for information on the digital filter used.
- I/O pins obstruct the SDA and SCL lines if OV<sub>DD</sub> is switched off.

### 13.2 I<sup>2</sup>C AC Electrical Specifications

This table provides the AC timing parameters for the I<sup>2</sup>C interfaces.

**Table 46. I<sup>2</sup>C AC Electrical Specifications**

Parameter	Symbol <sup>1</sup>	Min	Max	Unit	Notes
SCL clock frequency	f <sub>I2C</sub>	0	400	KHz	—
Low period of the SCL clock	t <sub>I2CL</sub>	1.3	—	μs	4
High period of the SCL clock	t <sub>I2CH</sub>	0.6	—	μs	4
Setup time for a repeated START condition	t <sub>I2SVKH</sub>	0.6	—	μs	4
Hold time (repeated) START condition (after this period, the first clock pulse is generated)	t <sub>I2SXKL</sub>	0.6	—	μs	4
Data setup time	t <sub>I2DVKH</sub>	100	—	ns	4
Data input hold time:	t <sub>I2DXKL</sub>	—	—	μs	2
CBUS compatible masters		—	—		
I <sup>2</sup> C bus devices		0	—		
Data output delay time:	t <sub>I2OVKL</sub>	—	0.9	—	3
Set-up time for STOP condition	t <sub>I2PVKH</sub>	0.6	—	μs	—
Bus free time between a STOP and START condition	t <sub>I2KHDX</sub>	1.3	—	μs	—



Table 46. I<sup>2</sup>C AC Electrical Specifications (continued)

Parameter	Symbol <sup>1</sup>	Min	Max	Unit	Notes
Noise margin at the LOW level for each connected device (including hysteresis)	V <sub>NL</sub>	0.1 × OV <sub>DD</sub>	—	V	—
Noise margin at the HIGH level for each connected device (including hysteresis)	V <sub>NH</sub>	0.2 × OV <sub>DD</sub>	—	V	—

**Notes:**

- The symbols used for timing specifications follow the pattern of t<sub>(first two letters of functional block)(signal)(state)(reference)(state)</sub> for inputs and t<sub>(first two letters of functional block)(reference)(state)(signal)(state)</sub> for outputs. For example, t<sub>I2DVKH</sub> symbolizes I<sup>2</sup>C timing (I2) with respect to the time data input signals (D) reach the valid state (V) relative to the t<sub>I2C</sub> clock reference (K) going to the high (H) state or setup time. Also, t<sub>I2SXKL</sub> symbolizes I<sup>2</sup>C timing (I2) for the time that the data with respect to the start condition (S) went invalid (X) relative to the t<sub>I2C</sub> clock reference (K) going to the low (L) state or hold time. Also, t<sub>I2PVKH</sub> symbolizes I<sup>2</sup>C timing (I2) for the time that the data with respect to the stop condition (P) reaching the valid state (V) relative to the t<sub>I2C</sub> clock reference (K) going to the high (H) state or setup time. For rise and fall times, the latter convention is used with the appropriate letter: R (rise) or F (fall).
- As a transmitter, the device provides a delay time of at least 300 ns for the SDA signal (see the V<sub>IH(min)</sub> of the SCL signal) to bridge the undefined region of the falling edge of SCL to avoid unintended generation of Start or Stop condition. When the device acts as the I<sup>2</sup>C bus master while transmitting, the device drives both SCL and SDA. As long as the load on SCL and SDA are balanced, the device would not cause unintended generation of Start or Stop condition. Therefore, the 300 ns SDA output delay time is not a concern. If, under some rare condition, the 300 ns SDA output delay time is required for the device as a transmitter, the following setting is recommended for the FDR bit field of the I2CFDR register to ensure both the desired I<sup>2</sup>C SCL clock frequency and SDA output delay time are achieved, assuming that the desired I<sup>2</sup>C SCL clock frequency is 400 kHz and the Digital Filter Sampling Rate Register (I2CDFSRR) is programmed with its default setting of 0x10 (decimal 16):

I <sup>2</sup> C source clock frequency	333 MHz	266 MHz	200 MHz	133 MHz
FDR bit setting	0x2A	0x05	0x26	0x00
Actual FDR divider selected	896	704	512	384
Actual I <sup>2</sup> C SCL frequency generated	371 kHz	378 kHz	390 kHz	346 kHz

For the detail of I<sup>2</sup>C frequency calculation, see *Determining the I<sup>2</sup>C Frequency Divider Ratio for SCL* (AN2919). Note that the I<sup>2</sup>C source clock frequency is half of the CCB clock frequency for the device.
- The maximum t<sub>I2DXKL</sub> has only to be met if the device does not stretch the LOW period (t<sub>I2CL</sub>) of the SCL signal.
- Guaranteed by design.

Figure 33 provides the AC test load for the I<sup>2</sup>C.

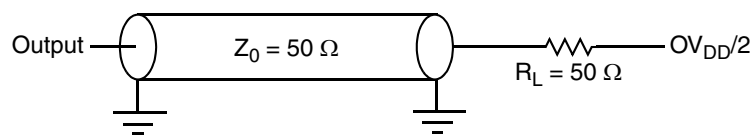
Figure 33. I<sup>2</sup>C AC Test Load

Figure 34 shows the AC timing diagram for the I<sup>2</sup>C bus.

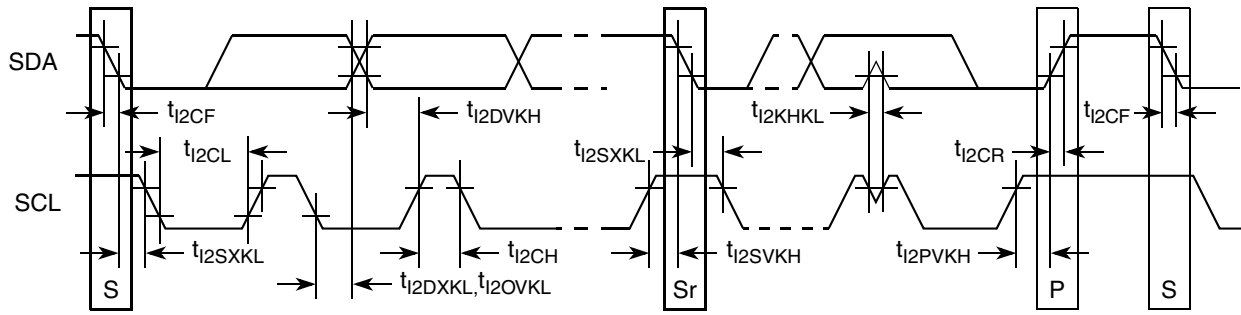


Figure 34. I<sup>2</sup>C Bus AC Timing Diagram

## 14 GP<sub>OUT</sub>/GP<sub>IN</sub>

This section describes the DC and AC electrical specifications for the GP<sub>OUT</sub>/GP<sub>IN</sub> bus of the device.

### 14.1 GP<sub>OUT</sub>/GP<sub>IN</sub> Electrical Characteristics

Table 47 and Table 48 provide the DC electrical characteristics for the GP<sub>OUT</sub> interface.

**Table 47. GP<sub>OUT</sub> DC Electrical Characteristics (3.3 V DC)**

Parameter	Symbol	Min	Max	Unit
Supply voltage 3.3 V	BV <sub>DD</sub>	3.13	3.47	V
High-level output voltage (BV <sub>DD</sub> = min, I <sub>OH</sub> = -2 mA)	V <sub>OH</sub>	BV <sub>DD</sub> - 0.2	—	V
Low-level output voltage (BV <sub>DD</sub> = min, I <sub>OL</sub> = 2 mA)	V <sub>OL</sub>	—	0.2	V

**Table 48. GP<sub>OUT</sub> DC Electrical Characteristics (2.5 V DC)**

Parameter	Symbol	Min	Max	Unit
Supply voltage 2.5 V	BV <sub>DD</sub>	2.37	2.63	V
High-level output voltage (BV <sub>DD</sub> = min, I <sub>OH</sub> = -1 mA)	V <sub>OH</sub>	2.0	BV <sub>DD</sub> + 0.3	V
Low-level output voltage (BV <sub>DD</sub> min, I <sub>OL</sub> = 1 mA)	V <sub>OL</sub>	GND - 0.3	0.4	V

Table 49 and Table 50 provide the DC electrical characteristics for the GP<sub>IN</sub> interface.

**Table 49. GP<sub>IN</sub> DC Electrical Characteristics (3.3 V DC)**

Parameter	Symbol	Min	Max	Unit
Supply voltage 3.3 V	BV <sub>DD</sub>	3.13	3.47	V
High-level input voltage	V <sub>IH</sub>	2	BV <sub>DD</sub> + 0.3	V
Low-level input voltage	V <sub>IL</sub>	-0.3	0.8	V
Input current (BV <sub>IN</sub> <sup>1</sup> = 0 V or BV <sub>IN</sub> = BV <sub>DD</sub> )	I <sub>IN</sub>	—	±5	μA

**Note:**

1. The symbol BV<sub>IN</sub>, in this case, represents the BV<sub>IN</sub> symbol referenced in Table 1.

**Table 50. GP<sub>IN</sub> DC Electrical Characteristics (2.5 V DC)**

Parameter	Symbol	Min	Max	Unit
Supply voltage 2.5 V	$BV_{DD}$	2.37	2.63	V
High-level input voltage	$V_{IH}$	1.70	$BV_{DD} + 0.3$	V
Low-level input voltage	$V_{IL}$	-0.3	0.7	V
Input current ( $BV_{IN}^1 = 0$ V or $BV_{IN} = BV_{DD}$ )	$I_{IH}$	—	10	$\mu$ A

**Note:**

1. The symbol  $BV_{IN}$ , in this case, represents the  $BV_{IN}$  symbol referenced in [Table 1](#).

## 15 PCI/PCI-X

This section describes the DC and AC electrical specifications for the PCI/PCI-X bus of the device. Note that the maximum PCI-X frequency in synchronous mode is 110 MHz.

### 15.1 PCI/PCI-X DC Electrical Characteristics

This table provides the DC electrical characteristics for the PCI/PCI-X interface.

**Table 51. PCI/PCI-X DC Electrical Characteristics<sup>1</sup>**

Parameter	Symbol	Min	Max	Unit	Notes
High-level input voltage	$V_{IH}$	2	$OV_{DD} + 0.3$	V	—
Low-level input voltage	$V_{IL}$	-0.3	0.8	V	—
Input current ( $V_{IN} = 0$ V or $V_{IN} = V_{DD}$ )	$I_{IN}$	—	$\pm 5$	$\mu$ A	2
High-level output voltage ( $OV_{DD} = \text{min}$ , $I_{OH} = -2$ mA)	$V_{OH}$	2.4	—	V	—
Low-level output voltage ( $OV_{DD} = \text{min}$ , $I_{OL} = 2$ mA)	$V_{OL}$	—	0.4	V	—

**Notes:**

1. Ranges listed do not meet the full range of the DC specifications of the *PCI 2.2 Local Bus Specifications*.
2. The symbol  $V_{IN}$ , in this case, represents the  $OV_{IN}$  symbol referenced in [Table 1](#) and [Table 2](#).

### 15.2 PCI/PCI-X AC Electrical Specifications

This section describes the general AC timing parameters of the PCI/PCI-X bus. Note that the clock reference CLK is represented by SYSCLK when the PCI controller is configured for synchronous mode and by PCIn\_CLK when it is configured for asynchronous mode.

This table provides the PCI AC timing specifications at 66 MHz.

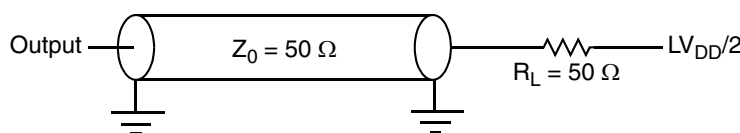
**Table 52. PCI AC Timing Specifications at 66 MHz**

Parameter	Symbol <sup>1</sup>	Min	Max	Unit	Notes
CLK to output valid	$t_{PCKHOV}$	—	6.0	ns	2, 3
Output hold from CLK	$t_{PCKHOX}$	2.0	—	ns	2, 10
CLK to output high impedance	$t_{PCKHOZ}$	—	14	ns	2, 4, 11
Input setup to CLK	$t_{PCIVKH}$	3.0	—	ns	2, 5, 10
Input hold from CLK	$t_{PCIXKH}$	0	—	ns	2, 5, 10
$\overline{\text{REQ64}}$ to $\overline{\text{HRESET}}$ <sup>9</sup> setup time	$t_{PCRVRH}$	$10 \times t_{SYS}$	—	clocks	6, 7, 11
$\overline{\text{HRESET}}$ to $\overline{\text{REQ64}}$ hold time	$t_{PCRHRX}$	0	50	ns	7, 11
$\overline{\text{HRESET}}$ high to first $\overline{\text{FRAME}}$ assertion	$t_{PCRHFV}$	10	—	clocks	8, 11

**Notes:**

- The symbols used for timing specifications follow the pattern of  $t_{(\text{first two letters of functional block})(\text{signal})(\text{state})(\text{reference})(\text{state})}$  for inputs and  $t_{(\text{first two letters of functional block})(\text{reference})(\text{state})(\text{signal})(\text{state})}$  for outputs. For example,  $t_{PCIVKH}$  symbolizes PCI/PCI-X timing (PC) with respect to the time the input signals (I) reach the valid state (V) relative to the SYSCLK clock,  $t_{SYS}$ , reference (K) going to the high (H) state or setup time. Also,  $t_{PCRHFV}$  symbolizes PCI/PCI-X timing (PC) with respect to the time hard reset (R) went high (H) relative to the frame signal (F) going to the valid (V) state.
- See the timing measurement conditions in the *PCI 2.2 Local Bus Specifications*.
- All PCI signals are measured from  $OV_{DD}/2$  of the rising edge of SYSCLK or PCI\_CLK $n$  to  $0.4 \times OV_{DD}$  of the signal in question for 3.3-V PCI signaling levels.
- For purposes of active/float timing measurements, the Hi-Z or off state is defined to be when the total current delivered through the component pin is less than or equal to the leakage current specification.
- Input timings are measured at the pin.
- The timing parameter  $t_{SYS}$  indicates the minimum and maximum CLK cycle times for the various specified frequencies. The system clock period must be kept within the minimum and maximum defined ranges. For values see [Section 20, "Clocking."](#)
- The setup and hold time is with respect to the rising edge of  $\overline{\text{HRESET}}$ .
- The timing parameter  $t_{PCRHFV}$  is a minimum of 10 clocks rather than the minimum of 5 clocks in the *PCI 2.2 Local Bus Specifications*.
- The reset assertion timing requirement for  $\overline{\text{HRESET}}$  is 100  $\mu\text{s}$ .
- Guaranteed by characterization.
- Guaranteed by design.

Figure 35 provides the AC test load for PCI and PCI-X.



**Figure 35. PCI/PCI-X AC Test Load**

Figure 36 shows the PCI/PCI-X input AC timing conditions.

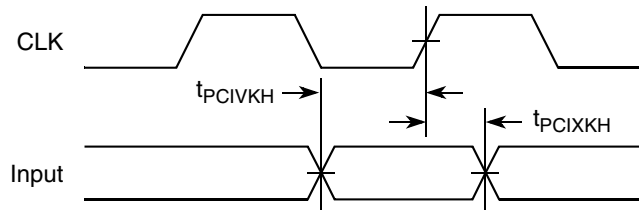


Figure 36. PCI/PCI-X Input AC Timing Measurement Conditions

Figure 37 shows the PCI/PCI-X output AC timing conditions.

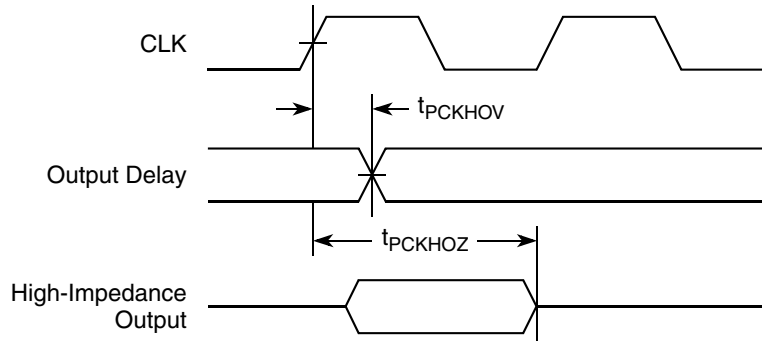


Figure 37. PCI/PCI-X Output AC Timing Measurement Condition

Table 53 provides the PCI-X AC timing specifications at 66 MHz.

Table 53. PCI-X AC Timing Specifications at 66 MHz

Parameter	Symbol	Min	Max	Unit	Notes
SYSCLK to signal valid delay	$t_{PCKHOV}$	—	3.8	ns	1, 2, 3, 7, 8
Output hold from SYSCLK	$t_{PCKHOX}$	0.7	—	ns	1, 10
SYSCLK to output high impedance	$t_{PCKHOZ}$	—	7	ns	1, 4, 8, 11
Input setup time to SYSCLK	$t_{PCIVKH}$	1.7	—	ns	3, 5
Input hold time from SYSCLK	$t_{PCIXKH}$	0.5	—	ns	10
$\overline{REQ64}$ to $\overline{HRESET}$ setup time	$t_{PCRVRH}$	10	—	clocks	11
$\overline{HRESET}$ to $\overline{REQ64}$ hold time	$t_{PCRHRX}$	0	50	ns	11
$\overline{HRESET}$ high to first $\overline{FRAME}$ assertion	$t_{PCRHFV}$	10	—	clocks	9, 11
PCI-X initialization pattern to $\overline{HRESET}$ setup time	$t_{PCIVRH}$	10	—	clocks	11

Table 53. PCI-X AC Timing Specifications at 66 MHz (continued)

Parameter	Symbol	Min	Max	Unit	Notes
$\overline{\text{HRESET}}$ to PCI-X initialization pattern hold time	$t_{\text{PCRHX}}$	0	50	ns	6, 11

**Notes:**

1. See the timing measurement conditions in the *PCI-X 1.0a Specification*.
2. Minimum times are measured at the package pin (not the test point). Maximum times are measured with the test point and load circuit.
3. Setup time for point-to-point signals applies to  $\overline{\text{REQ}}$  and  $\overline{\text{GNT}}$  only. All other signals are bused.
4. For purposes of active/float timing measurements, the Hi-Z or off state is defined to be when the total current delivered through the component pin is less than or equal to the leakage current specification.
5. Setup time applies only when the device is not driving the pin. Devices cannot drive and receive signals at the same time.
6. Maximum value is also limited by delay to the first transaction (time for  $\overline{\text{HRESET}}$  high to first configuration access,  $t_{\text{PCRHFV}}$ ). The PCI-X initialization pattern control signals after the rising edge of  $\overline{\text{HRESET}}$  must be negated no later than two clocks before the first  $\overline{\text{FRAME}}$  and must be floated no later than one clock before  $\overline{\text{FRAME}}$  is asserted.
7. A PCI-X device is permitted to have the minimum values shown for  $t_{\text{PCKHOV}}$  and  $t_{\text{CYC}}$  only in PCI-X mode. In conventional mode, the device must meet the requirements specified in PCI 2.2 for the appropriate clock frequency.
8. Device must meet this specification independent of how many outputs switch simultaneously.
9. The timing parameter  $t_{\text{PCRHFV}}$  is a minimum of 10 clocks rather than the minimum of 5 clocks in the *PCI-X 1.0a Specification*.
10. Guaranteed by characterization.
11. Guaranteed by design.

This table provides the PCI-X AC timing specifications at 133 MHz. Note that the maximum PCI-X frequency in synchronous mode is 110 MHz.

Table 54. PCI-X AC Timing Specifications at 133 MHz

Parameter	Symbol	Min	Max	Unit	Notes
SYSCLK to signal valid delay	$t_{\text{PCKHOV}}$	—	3.8	ns	1, 2, 3, 7, 8
Output hold from SYSCLK	$t_{\text{PCKHOX}}$	0.7	—	ns	1, 11
SYSCLK to output high impedance	$t_{\text{PCKHOZ}}$	—	7	ns	1, 4, 8, 12
Input setup time to SYSCLK	$t_{\text{PCIVKH}}$	1.2	—	ns	3, 5, 9, 11
Input hold time from SYSCLK	$t_{\text{PCIXKH}}$	0.5	—	ns	11
$\overline{\text{REQ64}}$ to $\overline{\text{HRESET}}$ setup time	$t_{\text{PCRVRH}}$	10	—	clocks	12
$\overline{\text{HRESET}}$ to $\overline{\text{REQ64}}$ hold time	$t_{\text{PCRHRX}}$	0	50	ns	12
$\overline{\text{HRESET}}$ high to first $\overline{\text{FRAME}}$ assertion	$t_{\text{PCRHFV}}$	10	—	clocks	10, 12
PCI-X initialization pattern to $\overline{\text{HRESET}}$ setup time	$t_{\text{PCIVRH}}$	10	—	clocks	12

Table 54. PCI-X AC Timing Specifications at 133 MHz (continued)

Parameter	Symbol	Min	Max	Unit	Notes
$\overline{\text{HRESET}}$ to PCI-X initialization pattern hold time	$t_{\text{PCRHX}}$	0	50	ns	6, 12

**Notes:**

1. See the timing measurement conditions in the *PCI-X 1.0a Specification*.
2. Minimum times are measured at the package pin (not the test point). Maximum times are measured with the test point and load circuit.
3. Setup time for point-to-point signals applies to  $\overline{\text{REQ}}$  and  $\overline{\text{GNT}}$  only. All other signals are bused.
4. For purposes of active/float timing measurements, the Hi-Z or off state is defined to be when the total current delivered through the component pin is less than or equal to the leakage current specification.
5. Setup time applies only when the device is not driving the pin. Devices cannot drive and receive signals at the same time.
6. Maximum value is also limited by delay to the first transaction (time for  $\overline{\text{HRESET}}$  high to first configuration access,  $t_{\text{PCRHFV}}$ ). The PCI-X initialization pattern control signals after the rising edge of  $\overline{\text{HRESET}}$  must be negated no later than two clocks before the first  $\overline{\text{FRAME}}$  and must be floated no later than one clock before  $\overline{\text{FRAME}}$  is asserted.
7. A PCI-X device is permitted to have the minimum values shown for  $t_{\text{PCKHOV}}$  and  $t_{\text{CYC}}$  only in PCI-X mode. In conventional mode, the device must meet the requirements specified in PCI 2.2 for the appropriate clock frequency.
8. Device must meet this specification independent of how many outputs switch simultaneously.
9. The timing parameter  $t_{\text{PCIVKH}}$  is a minimum of 1.4 ns rather than the minimum of 1.2 ns in the *PCI-X 1.0a Specification*.
10. The timing parameter  $t_{\text{PCRHFV}}$  is a minimum of 10 clocks rather than the minimum of 5 clocks in the *PCI-X 1.0a Specification*.
11. Guaranteed by characterization.
12. Guaranteed by design.



## 16 High-Speed Serial Interfaces (HSSI)

The device features one Serializer/Deserializer (SerDes) interface to be used for high-speed serial interconnect applications. The SerDes interface can be used for PCI Express and/or serial RapidIO data transfers.

This section describes the common portion of SerDes DC electrical specifications, which is the DC requirement for SerDes reference clocks. The SerDes data lane's transmitter and receiver reference circuits are also shown.

### 16.1 Signal Terms Definition

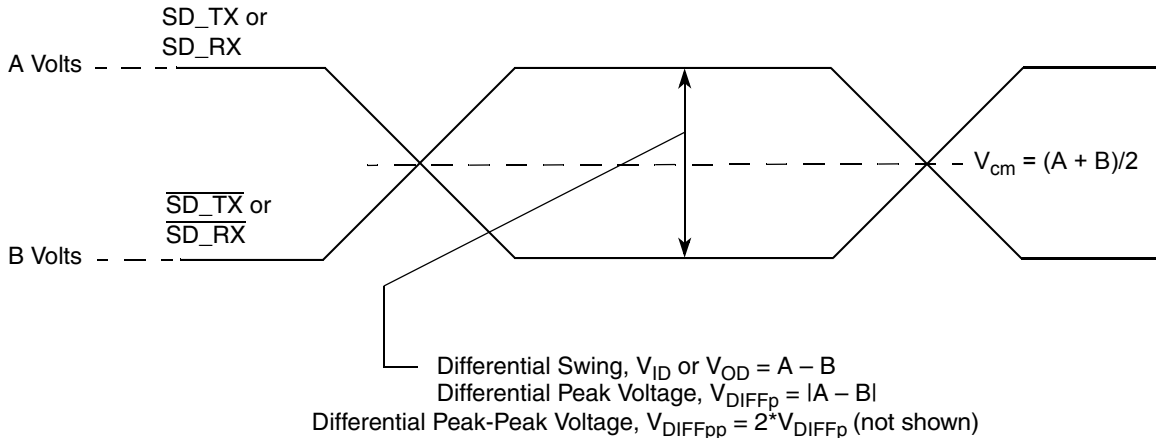
The SerDes utilizes differential signaling to transfer data across the serial link. This section defines terms used in the description and specification of differential signals.

Figure 38 shows how the signals are defined. For illustration purpose, only one SerDes lane is used for the description. The figure shows a waveform for either a transmitter output ( $SD\_TX$  and  $\overline{SD\_TX}$ ) or a receiver input ( $SD\_RX$  and  $\overline{SD\_RX}$ ). Each signal swings between A volts and B volts where  $A > B$ .

Using this waveform, the definitions are as follows. To simplify the illustration, the following definitions assume that the SerDes transmitter and receiver operate in a fully symmetrical differential signaling environment.

- **Single-ended swing**  
The transmitter output signals and the receiver input signals  $SD\_TX$ ,  $\overline{SD\_TX}$ ,  $SD\_RX$  and  $\overline{SD\_RX}$  each have a peak-to-peak swing of  $A - B$  volts. This is also referred as each signal wire's single-ended swing.
- **Differential output voltage,  $V_{OD}$  (or differential output swing):**  
The differential output voltage (or swing) of the transmitter,  $V_{OD}$ , is defined as the difference of the two complimentary output voltages:  $V_{SD\_TX} - V_{\overline{SD\_TX}}$ . The  $V_{OD}$  value can be either positive or negative.
- **Differential input voltage,  $V_{ID}$  (or differential input swing):**  
The differential input voltage (or swing) of the receiver,  $V_{ID}$ , is defined as the difference of the two complimentary input voltages:  $V_{SD\_RX} - V_{\overline{SD\_RX}}$ . The  $V_{ID}$  value can be either positive or negative.
- **Differential peak voltage,  $V_{DIFFp}$**   
The peak value of the differential transmitter output signal or the differential receiver input signal is defined as differential peak voltage,  $V_{DIFFp} = |A - B|$  volts.
- **Differential peak-to-peak,  $V_{DIFFp-p}$**   
Because the differential output signal of the transmitter and the differential input signal of the receiver each range from  $A - B$  to  $-(A - B)$  volts, the peak-to-peak value of the differential transmitter output signal or the differential receiver input signal is defined as differential peak-to-peak voltage,  $V_{DIFFp-p} = 2 \times V_{DIFFp} = 2 \times |A - B|$  volts, which is twice of differential swing in amplitude, or twice of the differential peak. For example, the output differential peak-to-peak voltage can also be calculated as  $V_{TX-DIFFp-p} = 2 \times |V_{OD}|$ .
- **Common mode voltage,  $V_{cm}$**   
The common mode voltage is equal to one half of the sum of the voltages between each conductor

of a balanced interchange circuit and ground. In this example, for SerDes output,  $V_{cm\_out} = V_{SD\_TX} + V_{\overline{SD\_TX}} = (A + B)/2$ , which is the arithmetic mean of the two complimentary output voltages within a differential pair. In a system, the common mode voltage may often differ from one component's output to the other's input. Sometimes, it may be even different between the receiver input and driver output circuits within the same component. It is also referred to as the DC offset.



**Figure 38. Differential Voltage Definitions for Transmitter or Receiver**

To illustrate these definitions using real values, consider the case of a CML (current mode logic) transmitter that has a common mode voltage of 2.25 V and each of its outputs, TD and  $\overline{TD}$ , has a swing that goes between 2.5 and 2.0 V. Using these values, the peak-to-peak voltage swing of each signal (TD or  $\overline{TD}$ ) is 500 mVp-p, which is referred as the single-ended swing for each signal. In this example, since the differential signaling environment is fully symmetrical, the transmitter output's differential swing ( $V_{OD}$ ) has the same amplitude as each signal's single-ended swing. The differential output signal ranges between 500 and -500 mV, in other words,  $V_{OD}$  is 500 mV in one phase and -500 mV in the other phase. The peak differential voltage ( $V_{DIFFp}$ ) is 500 mV. The peak-to-peak differential voltage ( $V_{DIFFpp}$ ) is 1000 mVp-p.

## 16.2 SerDes Reference Clocks

The SerDes reference clock inputs are applied to an internal PLL whose output creates the clock used by the corresponding SerDes lanes. The SerDes reference clocks inputs are SD\_REF\_CLK and  $\overline{SD\_REF\_CLK}$  for PCI Express and serial RapidIO.

The following sections describe the SerDes reference clock requirements and some application information.

### 16.2.1 SerDes Reference Clock Receiver Characteristics

Figure 39 shows a receiver reference diagram of the SerDes reference clocks.

- The supply voltage requirements for  $XV_{DD\_SRDS2}$  are specified in Table 1 and Table 2.
- SerDes Reference clock receiver reference circuit structure:

- The SD\_REF\_CLK and  $\overline{\text{SD\_REF\_CLK}}$  are internally AC-coupled differential inputs as shown in Figure 39. Each differential clock input (SD\_REF\_CLK or  $\overline{\text{SD\_REF\_CLK}}$ ) has a 50- $\Omega$  termination to SGND\_SRDS $_n$  (xcorevss) followed by on-chip AC-coupling.
- The external reference clock driver must be able to drive this termination.
- The SerDes reference clock input can be either differential or single-ended. See the differential mode and single-ended mode description below for further detailed requirements.
- The maximum average current requirement that also determines the common mode voltage range:
  - When the SerDes reference clock differential inputs are DC coupled externally with the clock driver chip, the maximum average current allowed for each input pin is 8 mA. In this case, the exact common mode input voltage is not critical as long as it is within the range allowed by the maximum average current of 8 mA (see the following bullet for more detail), since the input is AC-coupled on-chip.
  - This current limitation sets the maximum common mode input voltage to be less than 0.4 V (0.4 V/50 = 8 mA) while the minimum common mode input level is 0.1 V above SGND\_SRDS $_n$  (xcorevss). For example, a clock with a 50/50 duty cycle can be produced by a clock driver with output driven by its current source from 0 to 16 mA (0–0.8 V), such that each phase of the differential input has a single-ended swing from 0 V to 800 mV with the common mode voltage at 400 mV.
  - If the device driving the SD\_REF\_CLK and  $\overline{\text{SD\_REF\_CLK}}$  inputs cannot drive 50  $\Omega$  to SGND\_SRDS $_n$  (xcorevss) DC, or it exceeds the maximum input current limitations, then it must be AC-coupled off-chip.
- The input amplitude requirement:
  - This requirement is described in detail in the following sections.

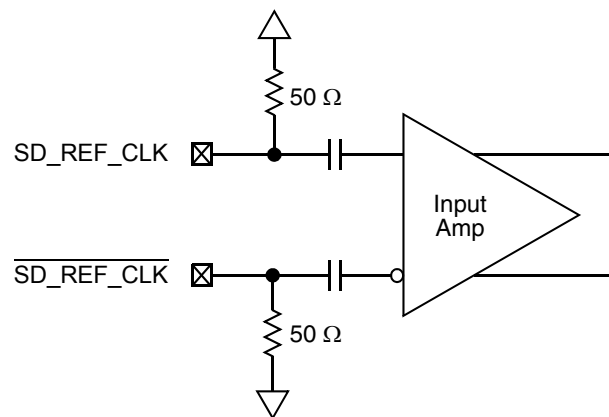


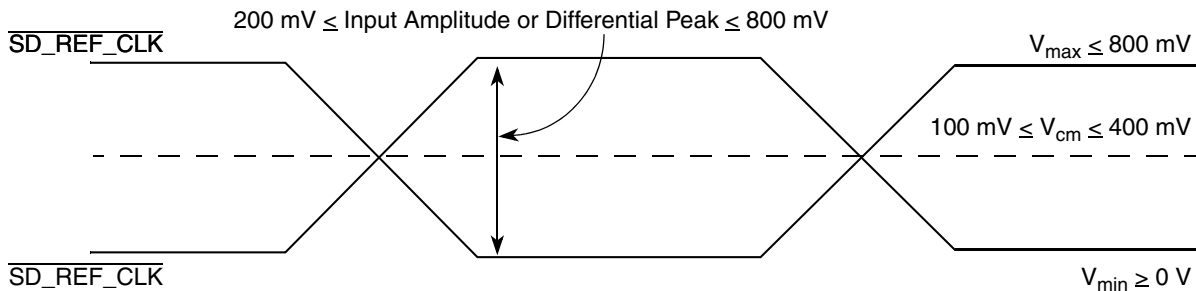
Figure 39. Receiver of SerDes Reference Clocks

## 16.2.2 DC Level Requirement for SerDes Reference Clocks

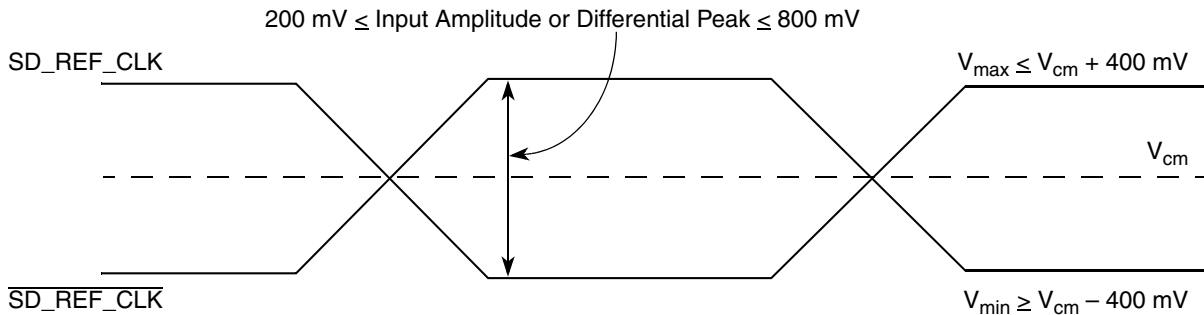
The DC level requirement for the SerDes reference clock inputs is different depending on the signaling mode used to connect the clock driver chip and SerDes reference clock inputs as described below:

- Differential mode

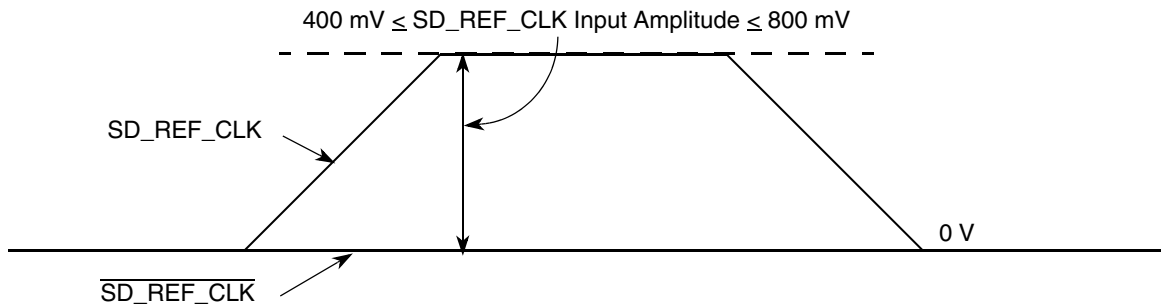
- The input amplitude of the differential clock must be between 400 and 1600 mV differential peak-peak (or between 200 and 800 mV differential peak). In other words, each signal wire of the differential pair must have a single-ended swing less than 800 mV and greater than 200 mV. This requirement is the same for both external DC- or AC-coupled connection.
- For external DC-coupled connection, as described in [Section 16.2.1, “SerDes Reference Clock Receiver Characteristics,”](#) the maximum average current requirements sets the requirement for average voltage (common mode voltage) to be between 100 and 400 mV. [Figure 40](#) shows the SerDes reference clock input requirement for DC-coupled connection scheme.
- For external AC-coupled connection, there is no common mode voltage requirement for the clock driver. Since the external AC-coupling capacitor blocks the DC level, the clock driver and the SerDes reference clock receiver operate in different command mode voltages. The SerDes reference clock receiver in this connection scheme has its common mode voltage set to SGND\_SRDS $n$ . Each signal wire of the differential inputs is allowed to swing below and above the command mode voltage (SGND\_SRDS $n$ ). [Figure 41](#) shows the SerDes reference clock input requirement for AC-coupled connection scheme.
- Single-ended mode
  - The reference clock can also be single-ended. The SD\_REF\_CLK input amplitude (single-ended swing) must be between 400 and 800 mV peak-to-peak (from  $V_{min}$  to  $V_{max}$ ) with SD\_REF\_CLK either left unconnected or tied to ground.
  - The SD\_REF\_CLK input average voltage must be between 200 and 400 mV. [Figure 42](#) shows the SerDes reference clock input requirement for single-ended signaling mode.
  - To meet the input amplitude requirement, the reference clock inputs might need to be DC- or AC-coupled externally. For the best noise performance, the reference of the clock could be DC- or AC-coupled into the unused phase (SD\_REF\_CLK) through the same source impedance as the clock input (SD\_REF\_CLK) in use.



**Figure 40. Differential Reference Clock Input DC Requirements (External DC-Coupled)**



**Figure 41. Differential Reference Clock Input DC Requirements (External AC-Coupled)**



**Figure 42. Single-Ended Reference Clock Input DC Requirements**

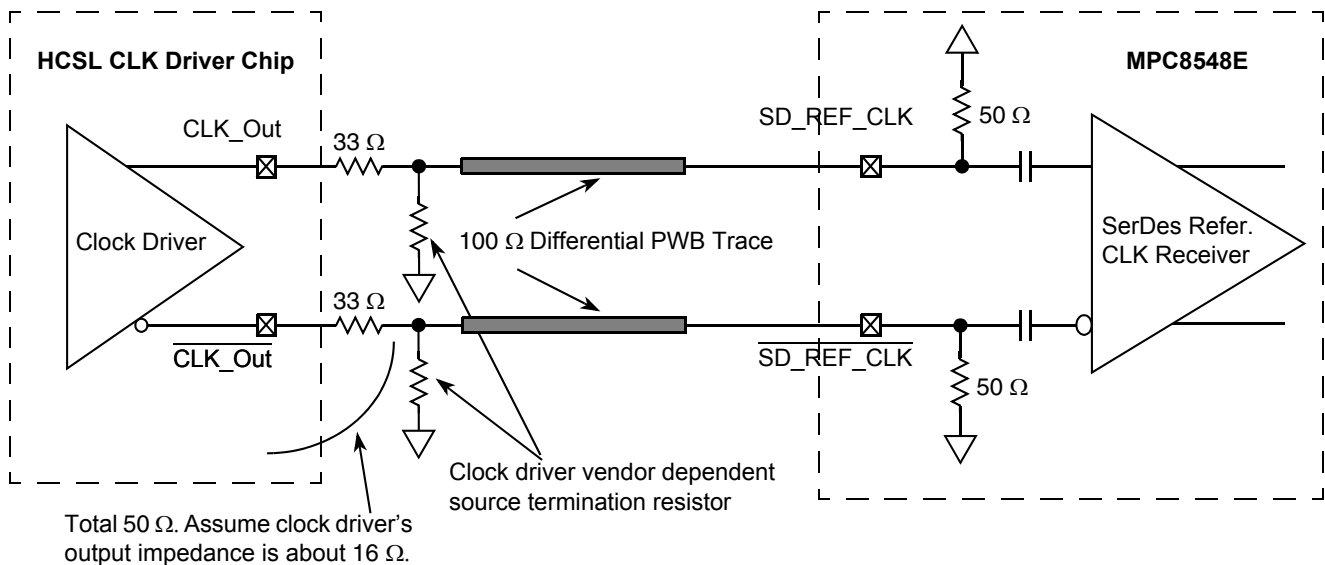
### 16.2.3 Interfacing with Other Differential Signaling Levels

- With on-chip termination to SGND\_SRDSn (xcorevss), the differential reference clocks inputs are HCSL (high-speed current steering logic) compatible DC-coupled.
- Many other low voltage differential type outputs like LVDS (low voltage differential signaling) can be used but may need to be AC-coupled due to the limited common mode input range allowed (100 to 400 mV) for DC-coupled connection.
- LVPECL outputs can produce signal with too large amplitude and may need to be DC-biased at clock driver output first, then followed with series attenuation resistor to reduce the amplitude, in addition to AC-coupling.

#### NOTE

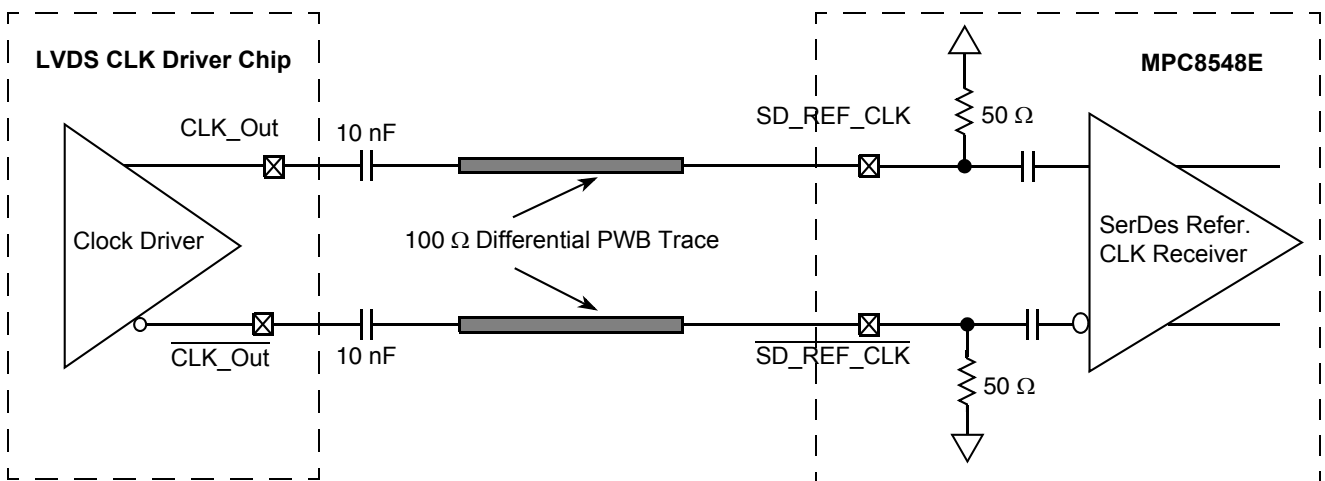
Figure 43 through Figure 46 below are for conceptual reference only. Due to the fact that clock driver chip's internal structure, output impedance, and termination requirements are different between various clock driver chip manufacturers, it is very possible that the clock circuit reference designs provided by clock driver chip vendor are different from what is shown below. They might also vary from one vendor to the other. Therefore, Freescale Semiconductor can neither provide the optimal clock driver reference circuits, nor guarantee the correctness of the following clock driver connection reference circuits. The system designer is recommended to contact the selected clock driver chip vendor for the optimal reference circuits with the SerDes reference clock receiver requirement provided in this document.

Figure 43 shows the SerDes reference clock connection reference circuits for HCSL type clock driver. It assumes that the DC levels of the clock driver chip is compatible with SerDes reference clock input's DC requirement.



**Figure 43. DC-Coupled Differential Connection with HCSL Clock Driver (Reference Only)**

Figure 44 shows the SerDes reference clock connection reference circuits for LVDS type clock driver. Since LVDS clock driver's common mode voltage is higher than the SerDes reference clock input's allowed range (100–400 mV), AC-coupled connection scheme must be used. It assumes the LVDS output driver features 50-Ω termination resistor. It also assumes that the LVDS transmitter establishes its own common mode level without relying on the receiver or other external component.



**Figure 44. AC-Coupled Differential Connection with LVDS Clock Driver (Reference Only)**

Figure 45 shows the SerDes reference clock connection reference circuits for LVPECL type clock driver. Since LVPECL driver's DC levels (both common mode voltages and output swing) are incompatible with the SerDes reference clock input's DC requirement, AC-coupling must be used. Figure 45 assumes that the LVPECL clock driver's output impedance is 50 Ω. R1 is used to DC-bias the LVPECL outputs prior

to AC-coupling. Its value could be ranged from 140 to 240  $\Omega$  depending on the clock driver vendor's requirement. R2 is used together with the SerDes reference clock receiver's 50- $\Omega$  termination resistor to attenuate the LVPECL output's differential peak level such that it meets the SerDes reference clock's differential input amplitude requirement (between 200 and 800 mV differential peak). For example, if the LVPECL output's differential peak is 900 mV and the desired SerDes reference clock input amplitude is selected as 600 mV, the attenuation factor is 0.67, which requires  $R2 = 25 \Omega$ . Consult a clock driver chip manufacturer to verify whether this connection scheme is compatible with a particular clock driver chip.

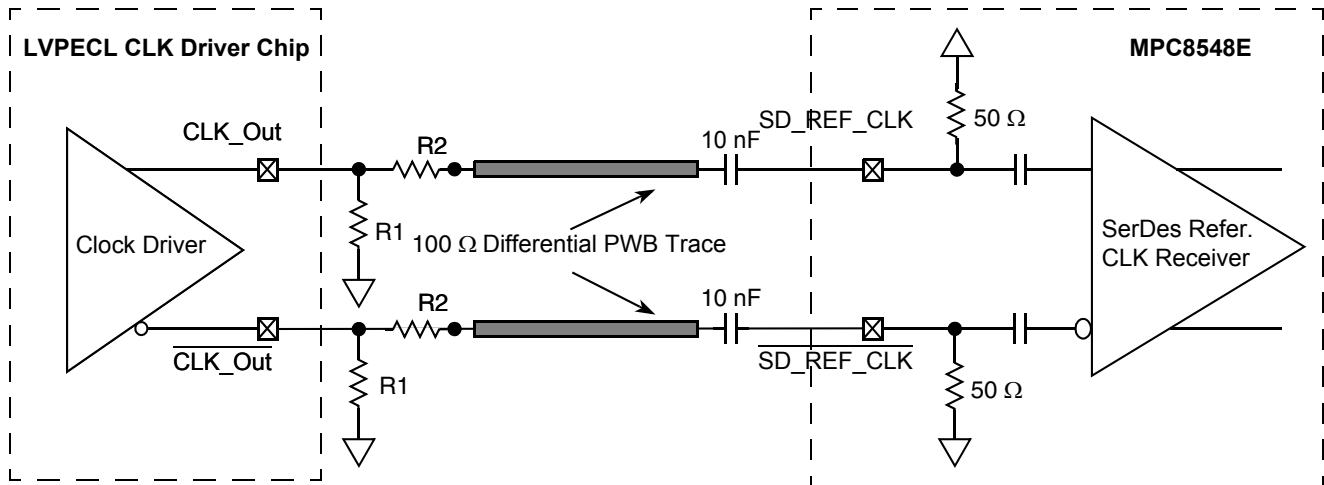


Figure 45. AC-Coupled Differential Connection with LVPECL Clock Driver (Reference Only)

Figure 46 shows the SerDes reference clock connection reference circuits for a single-ended clock driver. It assumes the DC levels of the clock driver are compatible with the SerDes reference clock input's DC requirement.

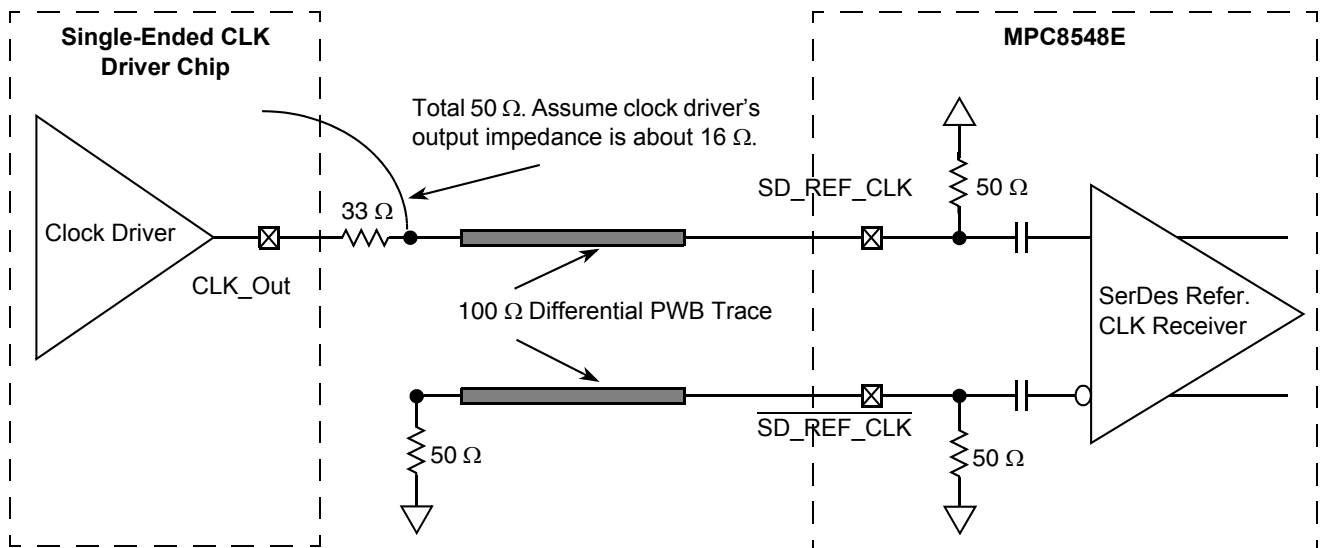


Figure 46. Single-Ended Connection (Reference Only)

## 16.2.4 AC Requirements for SerDes Reference Clocks

The clock driver selected must provide a high quality reference clock with low phase noise and cycle-to-cycle jitter. Phase noise less than 100 kHz can be tracked by the PLL and data recovery loops and is less of a problem. Phase noise above 15 MHz is filtered by the PLL. The most problematic phase noise occurs in the 1–15 MHz range. The source impedance of the clock driver must be  $50\ \Omega$  to match the transmission line and reduce reflections which are a source of noise to the system.

The detailed AC requirements of the SerDes reference clocks are defined by each interface protocol based on application usage. See the following sections for detailed information:

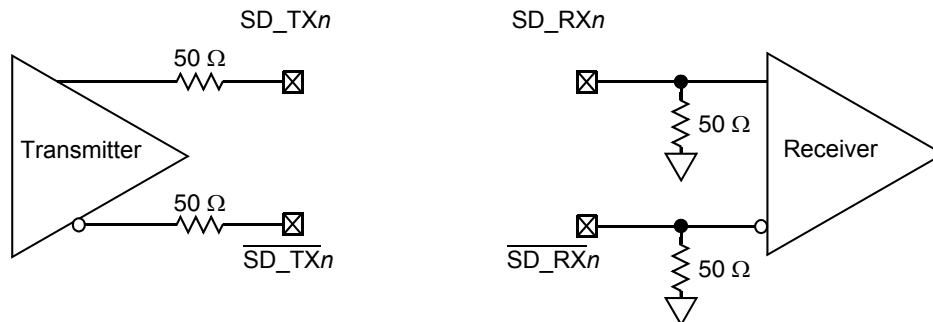
- [Section 17.2, “AC Requirements for PCI Express SerDes Clocks”](#)
- [Section 18.2, “AC Requirements for Serial RapidIO SD\\_REF\\_CLK and SD\\_REF\\_CLK”](#)

### 16.2.4.1 Spread Spectrum Clock

SD\_REF\_CLK/SD\_REF\_CLK are designed to work with a spread spectrum clock (+0% to –0.5% spreading at 30–33 kHz rate is allowed), assuming both ends have same reference clock. For better results, a source without significant unintended modulation must be used.

## 16.3 SerDes Transmitter and Receiver Reference Circuits

Figure 47 shows the reference circuits for SerDes data lane’s transmitter and receiver.



**Figure 47. SerDes Transmitter and Receiver Reference Circuits**

The DC and AC specification of SerDes data lanes are defined in each interface protocol section below (PCI Express, Serial Rapid IO, or SGMII) in this document based on the application usage:

- [Section 17, “PCI Express”](#)
- [Section 18, “Serial RapidIO”](#)

Note that external an AC coupling capacitor is required for the above three serial transmission protocols with the capacitor value defined in the specification of each protocol section.



## 17 PCI Express

This section describes the DC and AC electrical specifications for the PCI Express bus of the MPC8548E.

### 17.1 DC Requirements for PCI Express SD\_REF\_CLK and SD\_REF\_CLK

For more information, see [Section 16.2, “SerDes Reference Clocks.”](#)

### 17.2 AC Requirements for PCI Express SerDes Clocks

[Table 55](#) lists the AC requirements for the PCI Express SerDes clocks.

**Table 55. SD\_REF\_CLK and SD\_REF\_CLK AC Requirements**

Symbol	Parameter Description	Min	Typ	Max	Unit	Notes
$t_{REF}$	REFCLK cycle time	—	10	—	ns	1
$t_{REFCJ}$	REFCLK cycle-to-cycle jitter. Difference in the period of any two adjacent REFCLK cycles.	—	—	100	ps	—
$t_{REFPJ}$	Phase jitter. Deviation in edge location with respect to mean edge location.	–50	—	50	ps	—

**Note:**

1. Typical based on *PCI Express Specification 2.0*.

### 17.3 Clocking Dependencies

The ports on the two ends of a link must transmit data at a rate that is within 600 parts per million (ppm) of each other at all times. This is specified to allow bit rate clock sources with a  $\pm 300$  ppm tolerance.

### 17.4 Physical Layer Specifications

The following is a summary of the specifications for the physical layer of PCI Express on this device. For further details as well as the specifications of the transport and data link layer see *PCI Express Base Specification, Rev. 1.0a*.

#### 17.4.1 Differential Transmitter (TX) Output

[Table 56](#) defines the specifications for the differential output at all transmitters (TXs). The parameters are specified at the component pins.

Table 56. Differential Transmitter (TX) Output Specifications

Symbol	Parameter	Min	Nom	Max	Unit	Comments
UI	Unit interval	399.88	400	400.12	ps	Each UI is 400 ps $\pm$ 300 ppm. UI does not account for spread spectrum clock dictated variations. See Note 1.
$V_{TX-DIFFp-p}$	Differential peak-to-peak output voltage	0.8	—	1.2	V	$V_{TX-DIFFp-p} = 2 \times  V_{TX-D+} - V_{TX-D-} $ . See Note 2.
$V_{TX-DE-RATIO}$	De-emphasized differential output voltage (ratio)	-3.0	-3.5	-4.0	dB	Ratio of the $V_{TX-DIFFp-p}$ of the second and following bits after a transition divided by the $V_{TX-DIFFp-p}$ of the first bit after a transition. See Note 2.
$T_{TX-EYE}$	Minimum TX eye width	0.70	—	—	UI	The maximum transmitter jitter can be derived as $T_{TX-MAX-JITTER} = 1 - T_{TX-EYE} = 0.3$ UI. See Notes 2 and 3.
$T_{TX-EYE-MEDIAN-to-MAX-JITTER}$	Maximum time between the jitter median and maximum deviation from the median.	—	—	0.15	UI	Jitter is defined as the measurement variation of the crossing points ( $V_{TX-DIFFp-p} = 0$ V) in relation to a recovered TX UI. A recovered TX UI is calculated over 3500 consecutive unit intervals of sample data. Jitter is measured using all edges of the 250 consecutive UI in the center of the 3500 UI used for calculating the TX UI. See Notes 2 and 3.
$T_{TX-RISE}, T_{TX-FALL}$	D+/D- TX output rise/fall time	0.125	—	—	UI	See Notes 2 and 5.
$V_{TX-CM-ACp}$	RMS AC peak common mode output voltage	—	—	20	mV	$V_{TX-CM-ACp} = \text{RMS}( V_{TXD+} + V_{TXD-} /2 - V_{TX-CM-DC})$ $V_{TX-CM-DC} = \text{DC}_{(avg)}$ of $ V_{TX-D+} + V_{TX-D-} /2$ . See Note 2.
$V_{TX-CM-DC-ACTIVE-IDLE-DELTA}$	Absolute delta of dc common mode voltage during L0 and electrical idle	0	—	100	mV	$ V_{TX-CM-DC}(\text{during L0}) + V_{TX-CM-Idle-DC}(\text{during electrical idle})  \leq 100$ mV $V_{TX-CM-DC} = \text{DC}_{(avg)}$ of $ V_{TX-D+} + V_{TX-D-} /2$ [L0] $V_{TX-CM-Idle-DC} = \text{DC}_{(avg)}$ of $ V_{TX-D+} + V_{TX-D-} /2$ [electrical idle] See Note 2.
$V_{TX-CM-DC-LINE-DELTA}$	Absolute delta of DC common mode between D+ and D-	0	—	25	mV	$ V_{TX-CM-DC-D+} - V_{TX-CM-DC-D-}  \leq 25$ mV $V_{TX-CM-DC-D+} = \text{DC}_{(avg)}$ of $ V_{TX-D+} $ $V_{TX-CM-DC-D-} = \text{DC}_{(avg)}$ of $ V_{TX-D-} $ . See Note 2.
$V_{TX-IDLE-DIFFp}$	Electrical idle differential peak output voltage	0	—	20	mV	$V_{TX-IDLE-DIFFp} =  V_{TX-IDLE-D+} - V_{TX-IDLE-D-}  \leq 20$ mV. See Note 2.
$V_{TX-RCV-DETECT}$	The amount of voltage change allowed during receiver detection	—	—	600	mV	The total amount of voltage change that a transmitter can apply to sense whether a low impedance receiver is present. See Note 6.

Table 56. Differential Transmitter (TX) Output Specifications (continued)

Symbol	Parameter	Min	Nom	Max	Unit	Comments
$V_{TX-DC-CM}$	The TX DC common mode voltage	0	—	3.6	V	The allowed DC common mode voltage under any conditions. See Note 6.
$I_{TX-SHORT}$	TX short circuit current limit	—	—	90	mA	The total current the transmitter can provide when shorted to its ground
$T_{TX-IDLE-MIN}$	Minimum time spent in electrical idle	50	—		UI	Minimum time a transmitter must be in electrical idle utilized by the receiver to start looking for an electrical idle exit after successfully receiving an electrical idle ordered set
$T_{TX-IDLE-SET-TO-IDLE}$	Maximum time to transition to a valid electrical idle after sending an electrical idle ordered set	—	—	20	UI	After sending an electrical idle ordered set, the transmitter must meet all electrical idle specifications within this time. This is considered a debounce time for the transmitter to meet electrical idle after transitioning from L0.
$T_{TX-IDLE-TO-DIFF-DATA}$	Maximum time to transition to valid TX specifications after leaving an electrical idle condition	—	—	20	UI	Maximum time to meet all TX specifications when transitioning from electrical idle to sending differential data. This is considered a debounce time for the TX to meet all TX specifications after leaving electrical idle
$RL_{TX-DIFF}$	Differential return loss	12	—	—	dB	Measured over 50 MHz to 1.25 GHz. See Note 4.
$RL_{TX-CM}$	Common mode return loss	6	—	—	dB	Measured over 50 MHz to 1.25 GHz. See Note 4.
$Z_{TX-DIFF-DC}$	DC differential TX impedance	80	100	120	$\Omega$	TX DC differential mode low impedance
$Z_{TX-DC}$	Transmitter DC impedance	40	—	—	$\Omega$	Required TX D+ as well as D– DC impedance during all states
$L_{TX-SKEW}$	Lane-to-lane output skew	—	—	500 + 2 UI	ps	Static skew between any two transmitter lanes within a single Link
$C_{TX}$	AC coupling capacitor	75	—	200	nF	All transmitters shall be AC coupled. The AC coupling is required either within the media or within the transmitting component itself. See note 8.

**Table 56. Differential Transmitter (TX) Output Specifications (continued)**

Symbol	Parameter	Min	Nom	Max	Unit	Comments
$T_{\text{crosslink}}$	Crosslink random timeout	0	—	1	ms	This random timeout helps resolve conflicts in crosslink configuration by eventually resulting in only one downstream and one upstream port. See Note 7.

**Notes:**

1. No test load is necessarily associated with this value.
2. Specified at the measurement point into a timing and voltage compliance test load as shown in [Figure 50](#) and measured over any 250 consecutive TX UIs. (Also see the transmitter compliance eye diagram shown in [Figure 48](#).)
3. A  $T_{\text{TX-EYE}} = 0.70$  UI provides for a total sum of deterministic and random jitter budget of  $T_{\text{TX-JITTER-MAX}} = 0.30$  UI for the transmitter collected over any 250 consecutive TX UIs. The  $T_{\text{TX-EYE-MEDIAN-to-MAX-JITTER}}$  median is less than half of the total TX jitter budget collected over any 250 consecutive TX UIs. Note that the median is not the same as the mean. The jitter median describes the point in time where the number of jitter points on either side is approximately equal as opposed to the averaged time value.
4. The transmitter input impedance shall result in a differential return loss greater than or equal to 12 dB and a common mode return loss greater than or equal to 6 dB over a frequency range of 50 MHz to 1.25 GHz. This input impedance requirement applies to all valid input levels. The reference impedance for return loss measurements is 50  $\Omega$  to ground for both the D+ and D– line (that is, as measured by a vector network analyzer with 50- $\Omega$  probes—see [Figure 50](#)). Note that the series capacitors  $C_{\text{TX}}$  is optional for the return loss measurement.
5. Measured between 20%–80% at transmitter package pins into a test load as shown in [Figure 50](#) for both  $V_{\text{TX-D+}}$  and  $V_{\text{TX-D-}}$ .
6. See Section 4.3.1.8 of the *PCI Express Base Specifications Rev 1.0a*.
7. See Section 4.2.6.3 of the *PCI Express Base Specifications Rev 1.0a*.
8. MPC8548E SerDes transmitter does not have CTX built in. An external AC coupling capacitor is required.

## 17.4.2 Transmitter Compliance Eye Diagrams

The TX eye diagram in [Figure 48](#) is specified using the passive compliance/test measurement load (see [Figure 50](#)) in place of any real PCI Express interconnect +RX component.

There are two eye diagrams that must be met for the transmitter. Both eye diagrams must be aligned in time using the jitter median to locate the center of the eye diagram. The different eye diagrams differ in voltage depending whether it is a transition bit or a de-emphasized bit. The exact reduced voltage level of the de-emphasized bit is always relative to the transition bit.

The eye diagram must be valid for any 250 consecutive UIs.

A recovered TX UI is calculated over 3500 consecutive unit intervals of sample data. The eye diagram is created using all edges of the 250 consecutive UI in the center of the 3500 UI used for calculating the TX UI.

### NOTE

It is recommended that the recovered TX UI is calculated using all edges in the 3500 consecutive UI interval with a fit algorithm using a minimization merit function (for example, least squares and median deviation fits).

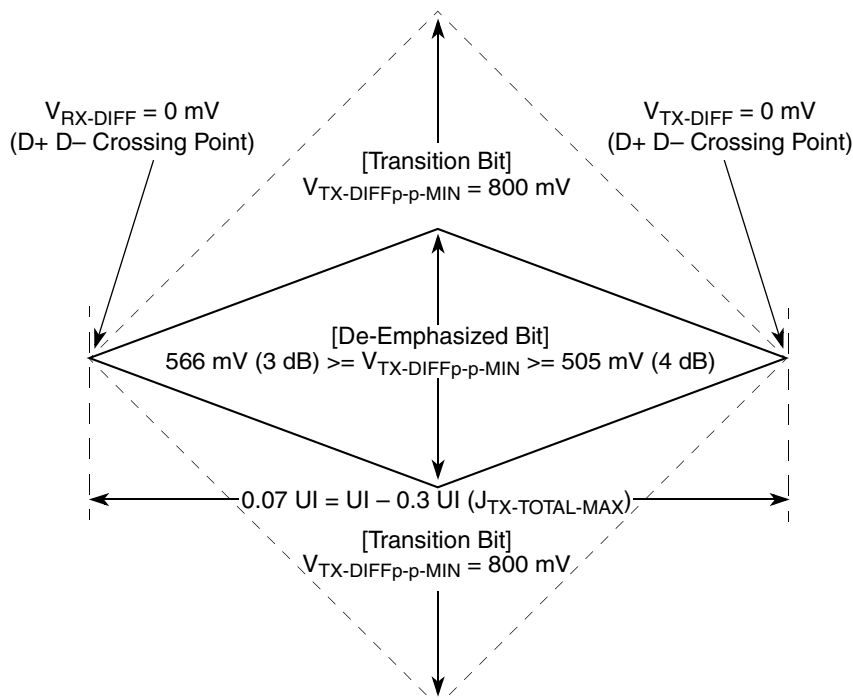


Figure 48. Minimum Transmitter Timing and Voltage Output Compliance Specifications

### 17.4.3 Differential Receiver (RX) Input Specifications

Table 57 defines the specifications for the differential input at all receivers (RXs). The parameters are specified at the component pins.

Table 57. Differential Receiver (RX) Input Specifications

Symbol	Parameter	Min	Nom	Max	Unit	Comments
UI	Unit interval	399.88	400	400.12	ps	Each UI is 400 ps ± 300 ppm. UI does not account for spread spectrum clock dictated variations. See Note 1.
$V_{RX-DIFFp-p}$	Differential peak-to-peak input voltage	0.175	—	1.200	V	$V_{RX-DIFFp-p} = 2 \times  V_{RX-D+} - V_{RX-D-} $ . See Note 2.
$T_{RX-EYE}$	Minimum receiver eye width	0.4	—	—	UI	The maximum interconnect media and transmitter jitter that can be tolerated by the receiver can be derived as $T_{RX-MAX-JITTER} = 1 - T_{RX-EYE} = 0.6 UI$ . See Notes 2 and 3.
$T_{RX-EYE-MEDIAN-to-MAX-JITTER}$	Maximum time between the jitter median and maximum deviation from the median	—	—	0.3	UI	Jitter is defined as the measurement variation of the crossing points ( $V_{RX-DIFFp-p} = 0 V$ ) in relation to a recovered TX UI. A recovered TX UI is calculated over 3500 consecutive unit intervals of sample data. Jitter is measured using all edges of the 250 consecutive UI in the center of the 3500 UI used for calculating the TX UI. See Notes 2, 3, and 7.

Table 57. Differential Receiver (RX) Input Specifications (continued)

Symbol	Parameter	Min	Nom	Max	Unit	Comments
$V_{RX-CM-ACp}$	AC peak common mode input voltage	—	—	150	mV	$V_{RX-CM-ACp} =  V_{RXD+} - V_{RXD-} /2 + V_{RX-CM-DC}$ $V_{RX-CM-DC} = DC_{(avg)} \text{ of }  V_{RX-D+} + V_{RX-D-}  \div 2$ . See Note 2.
$RL_{RX-DIFF}$	Differential return loss	15	—	—	dB	Measured over 50 MHz to 1.25 GHz with the D+ and D– lines biased at +300 mV and –300 mV, respectively. See Note 4.
$RL_{RX-CM}$	Common mode return loss	6	—	—	dB	Measured over 50 MHz to 1.25 GHz with the D+ and D– lines biased at 0 V. See Note 4.
$Z_{RX-DIFF-DC}$	DC differential input impedance	80	100	120	$\Omega$	RX DC differential mode impedance. See Note 5.
$Z_{RX-DC}$	DC input impedance	40	50	60	$\Omega$	Required RX D+ as well as D– DC impedance ( $50 \pm 20\%$ tolerance). See Notes 2 and 5.
$Z_{RX-HIGH-IMP-DC}$	Powered down DC input impedance	200 k	—	—	$\Omega$	Required RX D+ as well as D– DC impedance when the receiver terminations do not have power. See Note 6.
$V_{RX-IDLE-DET-DIFFp-p}$	Electrical idle detect threshold	65	—	175	mV	$V_{RX-IDLE-DET-DIFFp-p} = 2 \times  V_{RX-D+} - V_{RX-D-} $ . Measured at the package pins of the receiver
$T_{RX-IDLE-DET-DIFF-ENTERTIME}$	Unexpected electrical idle enter detect threshold integration time	—	—	10	ms	An unexpected electrical idle ( $V_{RX-DIFFp-p} < V_{RX-IDLE-DET-DIFFp-p}$ ) must be recognized no longer than $T_{RX-IDLE-DET-DIFF-ENTERING}$ to signal an unexpected idle condition.

**Table 57. Differential Receiver (RX) Input Specifications (continued)**

Symbol	Parameter	Min	Nom	Max	Unit	Comments
$L_{TX-SKEW}$	Total Skew	—	—	20	ns	Skew across all lanes on a Link. This includes variation in the length of SKP ordered set (for example, COM and one to five symbols) at the RX as well as any delay differences arising from the interconnect itself.

**Notes:**

1. No test load is necessarily associated with this value.
2. Specified at the measurement point and measured over any 250 consecutive UIs. The test load in [Figure 50](#) must be used as the RX device when taking measurements (also see the receiver compliance eye diagram shown in [Figure 49](#)). If the clocks to the RX and TX are not derived from the same reference clock, the TX UI recovered from 3500 consecutive UI must be used as a reference for the eye diagram.
3. A  $T_{RX-EYE} = 0.40$  UI provides for a total sum of 0.60 UI deterministic and random jitter budget for the transmitter and interconnect collected any 250 consecutive UIs. The  $T_{RX-EYE-MEDIAN-to-MAX-JITTER}$  specification ensures a jitter distribution in which the median and the maximum deviation from the median is less than half of the total. UI jitter budget collected over any 250 consecutive TX UIs. Note that the median is not the same as the mean. The jitter median describes the point in time where the number of jitter points on either side is approximately equal as opposed to the averaged time value. If the clocks to the RX and TX are not derived from the same reference clock, the TX UI recovered from 3500 consecutive UI must be used as the reference for the eye diagram.
4. The receiver input impedance shall result in a differential return loss greater than or equal to 15 dB with the D+ line biased to 300 mV and the D– line biased to –300 mV and a common mode return loss greater than or equal to 6 dB (no bias required) over a frequency range of 50 MHz to 1.25 GHz. This input impedance requirement applies to all valid input levels. The reference impedance for return loss measurements for is 50  $\Omega$  to ground for both the D+ and D– line (that is, as measured by a vector network analyzer with 50- $\Omega$  probes—see [Figure 50](#)). Note: that the series capacitors CTX is optional for the return loss measurement.
5. Impedance during all LTSSM states. When transitioning from a fundamental reset to detect (the initial state of the LTSSM) there is a 5 ms transition time before receiver termination values must be met on all unconfigured lanes of a port.
6. The RX DC common mode Impedance that exists when no power is present or fundamental reset is asserted. This helps ensure that the receiver detect circuit does not falsely assume a receiver is powered on when it is not. This term must be measured at 300 mV above the RX ground.
7. It is recommended that the recovered TX UI is calculated using all edges in the 3500 consecutive UI interval with a fit algorithm using a minimization merit function. Least squares and median deviation fits have worked well with experimental and simulated data.

## 17.5 Receiver Compliance Eye Diagrams

The RX eye diagram in [Figure 49](#) is specified using the passive compliance/test measurement load (see [Figure 50](#)) in place of any real PCI Express RX component.

Note: In general, the minimum receiver eye diagram measured with the compliance/test measurement load (see [Figure 50](#)) is larger than the minimum receiver eye diagram measured over a range of systems at the input receiver of any real PCI Express component. The degraded eye diagram at the input receiver is due to traces internal to the package as well as silicon parasitic characteristics which cause the real PCI Express component to vary in impedance from the compliance/test measurement load. The input receiver eye diagram is implementation specific and is not specified. RX component designer must provide additional margin to adequately compensate for the degraded minimum receiver eye diagram (shown in [Figure 49](#)) expected at the input receiver based on some adequate combination of system simulations and the return loss measured looking into the RX package and silicon. The RX eye diagram must be aligned in time using the jitter median to locate the center of the eye diagram.

The eye diagram must be valid for any 250 consecutive UIs.

A recovered TX UI is calculated over 3500 consecutive unit intervals of sample data. The eye diagram is created using all edges of the 250 consecutive UI in the center of the 3500 UI used for calculating the TX UI.

**NOTE**

The reference impedance for return loss measurements is 50. to ground for both the D+ and D- line (that is, as measured by a vector network analyzer with 50-Ω probes—see Figure 50). Note that the series capacitors, CTX, are optional for the return loss measurement.

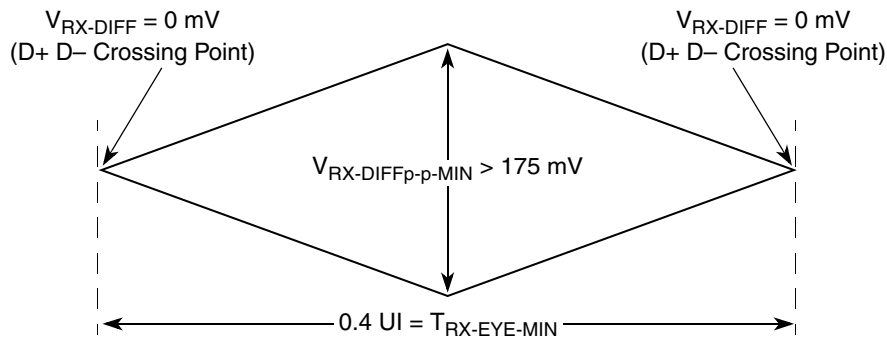


Figure 49. Minimum Receiver Eye Timing and Voltage Compliance Specification

**17.5.1 Compliance Test and Measurement Load**

The AC timing and voltage parameters must be verified at the measurement point, as specified within 0.2 inches of the package pins, into a test/measurement load shown in Figure 50.

**NOTE**

The allowance of the measurement point to be within 0.2 inches of the package pins is meant to acknowledge that package/board routing may benefit from D+ and D- not being exactly matched in length at the package pin boundary.

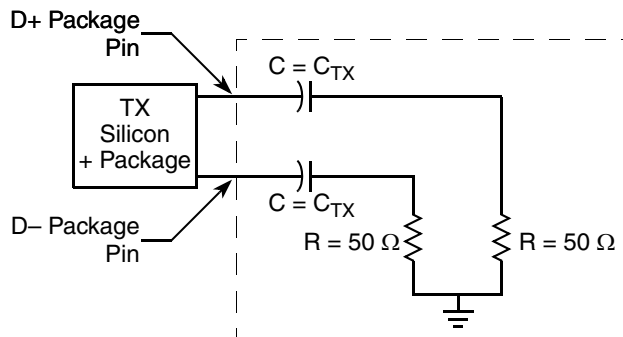


Figure 50. Compliance Test/Measurement Load



## 18 Serial RapidIO

This section describes the DC and AC electrical specifications for the RapidIO interface of the MPC8548E, for the LP-Serial physical layer. The electrical specifications cover both single- and multiple-lane links. Two transmitters (short and long run) and a single receiver are specified for each of three baud rates, 1.25, 2.50, and 3.125 GBaud.

Two transmitter specifications allow for solutions ranging from simple board-to-board interconnect to driving two connectors across a backplane. A single receiver specification is given that accepts signals from both the short- and long-run transmitter specifications.

The short-run transmitter must be used mainly for chip-to-chip connections on either the same printed-circuit board or across a single connector. This covers the case where connections are made to a mezzanine (daughter) card. The minimum swings of the short-run specification reduce the overall power used by the transceivers.

The long-run transmitter specifications use larger voltage swings that are capable of driving signals across backplanes. This allows a user to drive signals across two connectors and a backplane. The specifications allow a distance of at least 50 cm at all baud rates.

All unit intervals are specified with a tolerance of  $\pm 100$  ppm. The worst case frequency difference between any transmit and receive clock is 200 ppm.

To ensure interoperability between drivers and receivers of different vendors and technologies, AC coupling at the receiver input must be used.

### 18.1 DC Requirements for Serial RapidIO SD\_REF\_CLK and SD\_REF\_CLK

For more information, see [Section 16.2, “SerDes Reference Clocks.”](#)

### 18.2 AC Requirements for Serial RapidIO SD\_REF\_CLK and SD\_REF\_CLK

[Table 58](#) lists the Serial RapidIO SD\_REF\_CLK and  $\overline{\text{SD\_REF\_CLK}}$  AC requirements.

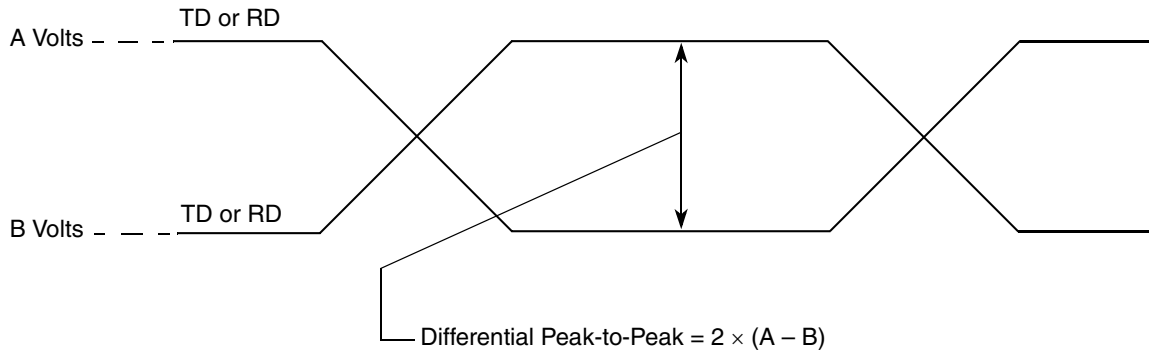
**Table 58. SD\_REF\_CLK and  $\overline{\text{SD\_REF\_CLK}}$  AC Requirements**

Symbol	Parameter Description	Min	Typ	Max	Unit	Comments
$t_{\text{REF}}$	REFCLK cycle time	—	10(8)	—	ns	8 ns applies only to serial RapidIO with 125-MHz reference clock
$t_{\text{REFCJ}}$	REFCLK cycle-to-cycle jitter. Difference in the period of any two adjacent REFCLK cycles.	—	—	80	ps	—
$t_{\text{REFPJ}}$	Phase jitter. Deviation in edge location with respect to mean edge location.	-40	—	40	ps	—

## 18.3 Signal Definitions

LP-serial links use differential signaling. This section defines terms used in the description and specification of differential signals. Figure 51 shows how the signals are defined. The figures show waveforms for either a transmitter output (TD and  $\overline{\text{TD}}$ ) or a receiver input (RD and  $\overline{\text{RD}}$ ). Each signal swings between A volts and B volts where  $A > B$ . Using these waveforms, the definitions are as follows:

1. The transmitter output signals and the receiver input signals TD,  $\overline{\text{TD}}$ , RD, and  $\overline{\text{RD}}$  each have a peak-to-peak swing of  $A - B$  volts.
2. The differential output signal of the transmitter,  $V_{\text{OD}}$ , is defined as  $V_{\text{TD}} - V_{\overline{\text{TD}}}$ .
3. The differential input signal of the receiver,  $V_{\text{ID}}$ , is defined as  $V_{\text{RD}} - V_{\overline{\text{RD}}}$ .
4. The differential output signal of the transmitter and the differential input signal of the receiver each range from  $A - B$  to  $-(A - B)$  volts.
5. The peak value of the differential transmitter output signal and the differential receiver input signal is  $A - B$  volts.
6. The peak-to-peak value of the differential transmitter output signal and the differential receiver input signal is  $2 \times (A - B)$  volts.



**Figure 51. Differential Peak-Peak Voltage of Transmitter or Receiver**

To illustrate these definitions using real values, consider the case of a CML (current mode logic) transmitter that has a common mode voltage of 2.25 V and each of its outputs, TD and  $\overline{\text{TD}}$ , has a swing that goes between 2.5 and 2.0 V. Using these values, the peak-to-peak voltage swing of the signals TD and  $\overline{\text{TD}}$  is 500 mVp-p. The differential output signal ranges between 500 and  $-500$  mV. The peak differential voltage is 500 mV. The peak-to-peak differential voltage is 1000 mVp-p.

## 18.4 Equalization

With the use of high-speed serial links, the interconnect media causes degradation of the signal at the receiver. Effects such as inter-symbol interference (ISI) or data dependent jitter are produced. This loss can be large enough to degrade the eye opening at the receiver beyond what is allowed in the specification. To negate a portion of these effects, equalization can be used. The most common equalization techniques that can be used are:

- A passive high pass filter network placed at the receiver. This is often referred to as passive equalization.
- The use of active circuits in the receiver. This is often referred to as adaptive equalization.

## 18.5 Explanatory Note on Transmitter and Receiver Specifications

AC electrical specifications are given for transmitter and receiver. Long- and short-run interfaces at three baud rates (a total of six cases) are described.

The parameters for the AC electrical specifications are guided by the XAUI electrical interface specified in Clause 47 of IEEE 802.3ae-2002.

XAUI has similar application goals to Serial RapidIO, as described in Section 8.1. The goal of this standard is that electrical designs for Serial RapidIO can reuse electrical designs for XAUI, suitably modified for applications at the baud intervals and reaches described herein.

## 18.6 Transmitter Specifications

LP-serial transmitter electrical and timing specifications are stated in the text and tables of this section.

The differential return loss,  $S_{11}$ , of the transmitter in each case shall be better than:

- $-10$  dB for  $(\text{baud frequency})/10 < \text{Freq}(f) < 625$  MHz, and
- $-10$  dB +  $10\log(f/625 \text{ MHz})$  dB for  $625 \text{ MHz} \leq \text{Freq}(f) \leq \text{baud frequency}$

The reference impedance for the differential return loss measurements is  $100\text{-}\Omega$  resistive. Differential return loss includes contributions from on-chip circuitry, chip packaging, and any off-chip components related to the driver. The output impedance requirement applies to all valid output levels.

It is recommended that the 20%–80% rise/fall time of the transmitter, as measured at the transmitter output, in each case have a minimum value 60 ps.

It is recommended that the timing skew at the output of an LP-serial transmitter between the two signals that comprise a differential pair not exceed 25 ps at 1.25 GB, 20 ps at 2.50 GB, and 15 ps at 3.125 GB.

**Table 59. Short Run Transmitter AC Timing Specifications—1.25 GBaud**

Characteristic	Symbol	Range		Unit	Notes
		Min	Max		
Output voltage	$V_O$	-0.40	2.30	V	Voltage relative to COMMON of either signal comprising a differential pair
Differential output voltage	$V_{DIFFPP}$	500	1000	mV p-p	—
Deterministic jitter	$J_D$	—	0.17	UI p-p	—
Total jitter	$J_T$	—	0.35	UI p-p	—
Multiple output skew	$S_{MO}$	—	1000	ps	Skew at the transmitter output between lanes of a multilane link
Unit Interval	UI	800	800	ps	$\pm 100$ ppm

**Table 60. Short Run Transmitter AC Timing Specifications—2.5 GBaud**

Characteristic	Symbol	Range		Unit	Notes
		Min	Max		
Output voltage	$V_O$	-0.40	2.30	V	Voltage relative to COMMON of either signal comprising a differential pair
Differential output voltage	$V_{DIFFPP}$	500	1000	mV p-p	—
Deterministic jitter	$J_D$	—	0.17	UI p-p	—
Total jitter	$J_T$	—	0.35	UI p-p	—
Multiple output skew	$S_{MO}$	—	1000	ps	Skew at the transmitter output between lanes of a multilane link
Unit interval	UI	400	400	ps	±100 ppm

**Table 61. Short Run Transmitter AC Timing Specifications—3.125 GBaud**

Characteristic	Symbol	Range		Unit	Notes
		Min	Max		
Output voltage	$V_O$	-0.40	2.30	V	Voltage relative to COMMON of either signal comprising a differential pair
Differential output voltage	$V_{DIFFPP}$	500	1000	mVp-p	—
Deterministic jitter	$J_D$	—	0.17	UI p-p	—
Total jitter	$J_T$	—	0.35	UI p-p	—
Multiple output skew	$S_{MO}$	—	1000	ps	Skew at the transmitter output between lanes of a multilane link
Unit interval	UI	320	320	ps	±100 ppm

**Table 62. Long Run Transmitter AC Timing Specifications—1.25 GBaud**

Characteristic	Symbol	Range		Unit	Notes
		Min	Max		
Output voltage	$V_O$	-0.40	2.30	V	Voltage relative to COMMON of either signal comprising a differential pair
Differential output voltage	$V_{DIFFPP}$	800	1600	mVp-p	—
Deterministic jitter	$J_D$	—	0.17	UI p-p	—
Total jitter	$J_T$	—	0.35	UI p-p	—
Multiple output skew	$S_{MO}$	—	1000	ps	Skew at the transmitter output between lanes of a multilane link
Unit interval	UI	800	800	ps	±100 ppm

Table 63. Long Run Transmitter AC Timing Specifications—2.5 GBaud

Characteristic	Symbol	Range		Unit	Notes
		Min	Max		
Output voltage	$V_O$	-0.40	2.30	V	Voltage relative to COMMON of either signal comprising a differential pair
Differential output voltage	$V_{DIFFPP}$	800	1600	mVp-p	—
Deterministic jitter	$J_D$	—	0.17	UI p-p	—
Total jitter	$J_T$	—	0.35	UI p-p	—
Multiple output skew	$S_{MO}$	—	1000	ps	Skew at the transmitter output between lanes of a multilane link
Unit interval	UI	400	400	ps	$\pm 100$ ppm

Table 64. Long Run Transmitter AC Timing Specifications—3.125 GBaud

Characteristic	Symbol	Range		Unit	Notes
		Min	Max		
Output voltage	$V_O$	-0.40	2.30	V	Voltage relative to COMMON of either signal comprising a differential pair
Differential output voltage	$V_{DIFFPP}$	800	1600	mVp-p	—
Deterministic jitter	$J_D$	—	0.17	UI p-p	—
Total jitter	$J_T$	—	0.35	UI p-p	—
Multiple output skew	$S_{MO}$	—	1000	ps	Skew at the transmitter output between lanes of a multilane link
Unit interval	UI	320	320	ps	$\pm 100$ ppm

For each baud rate at which an LP-serial transmitter is specified to operate, the output eye pattern of the transmitter shall fall entirely within the unshaded portion of the transmitter output compliance mask shown in [Figure 52](#) with the parameters specified in [Table 65](#) when measured at the output pins of the device and the device is driving a  $100\text{-}\Omega \pm 5\%$  differential resistive load. The output eye pattern of an LP-serial

transmitter that implements pre-emphasis (to equalize the link and reduce inter-symbol interference) need only comply with the transmitter output compliance mask when pre-emphasis is disabled or minimized.

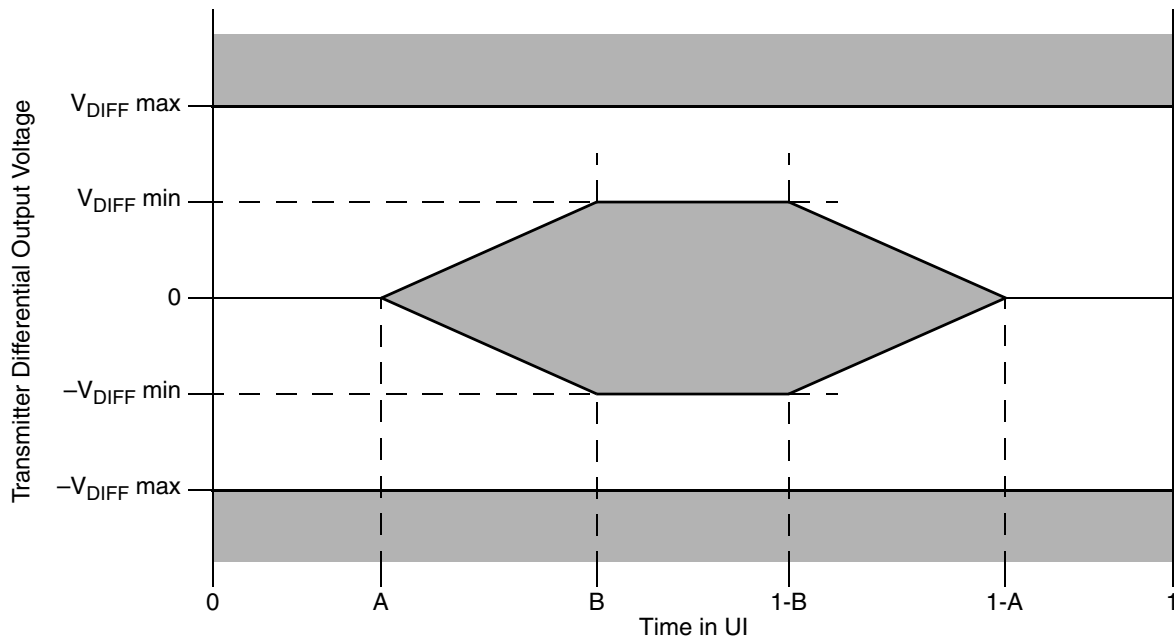


Figure 52. Transmitter Output Compliance Mask

Table 65. Transmitter Differential Output Eye Diagram Parameters

Transmitter Type	$V_{DIFFmin}$ (mV)	$V_{DIFFmax}$ (mV)	A (UI)	B (UI)
1.25 GBaud short range	250	500	0.175	0.39
1.25 GBaud long range	400	800	0.175	0.39
2.5 GBaud short range	250	500	0.175	0.39
2.5 GBaud long range	400	800	0.175	0.39
3.125 GBaud short range	250	500	0.175	0.39
3.125 GBaud long range	400	800	0.175	0.39

## 18.7 Receiver Specifications

LP-serial receiver electrical and timing specifications are stated in the text and tables of this section.

Receiver input impedance shall result in a differential return loss better than 10 dB and a common mode return loss better than 6 dB from 100 MHz to  $(0.8) \times$  (baud frequency). This includes contributions from on-chip circuitry, the chip package, and any off-chip components related to the receiver. AC coupling

components are included in this requirement. The reference impedance for return loss measurements is 100- $\Omega$  resistive for differential return loss and 25- $\Omega$  resistive for common mode.

**Table 66. Receiver AC Timing Specifications—1.25 GBaud**

Characteristic	Symbol	Range		Unit	Notes
		Min	Max		
Differential input voltage	$V_{IN}$	200	1600	mVp-p	Measured at receiver
Deterministic jitter tolerance	$J_D$	0.37	—	UI p-p	Measured at receiver
Combined deterministic and random jitter tolerance	$J_{DR}$	0.55	—	UI p-p	Measured at receiver
Total jitter tolerance <sup>1</sup>	$J_T$	0.65	—	UI p-p	Measured at receiver
Multiple input skew	$S_{MI}$	—	24	ns	Skew at the receiver input between lanes of a multilane link
Bit error rate	BER	—	$10^{-12}$	—	—
Unit interval	UI	800	800	ps	$\pm 100$ ppm

**Note:**

- Total jitter is composed of three components, deterministic jitter, random jitter, and single frequency sinusoidal jitter. The sinusoidal jitter may have any amplitude and frequency in the unshaded region of [Figure 53](#). The sinusoidal jitter component is included to ensure margin for low frequency jitter, wander, noise, crosstalk, and other variable system effects.

**Table 67. Receiver AC Timing Specifications—2.5 GBaud**

Characteristic	Symbol	Range		Unit	Notes
		Min	Max		
Differential input voltage	$V_{IN}$	200	1600	mVp-p	Measured at receiver
Deterministic jitter tolerance	$J_D$	0.37	—	UI p-p	Measured at receiver
Combined deterministic and random jitter tolerance	$J_{DR}$	0.55	—	UI p-p	Measured at receiver
Total jitter tolerance <sup>1</sup>	$J_T$	0.65	—	UI p-p	Measured at receiver
Multiple input skew	$S_{MI}$	—	24	ns	Skew at the receiver input between lanes of a multilane link
Bit error rate	BER	—	$10^{-12}$	—	—
Unit interval	UI	400	400	ps	$\pm 100$ ppm

**Note:**

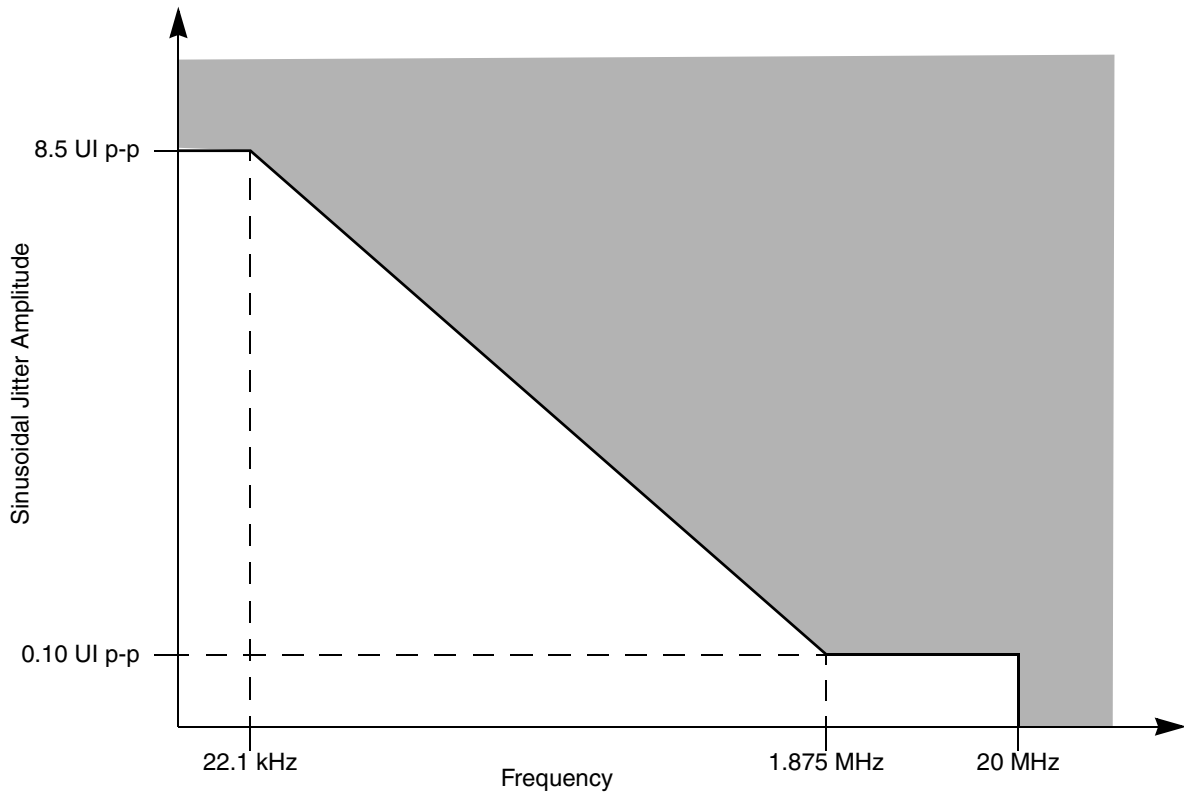
- Total jitter is composed of three components, deterministic jitter, random jitter, and single frequency sinusoidal jitter. The sinusoidal jitter may have any amplitude and frequency in the unshaded region of [Figure 53](#). The sinusoidal jitter component is included to ensure margin for low frequency jitter, wander, noise, crosstalk, and other variable system effects.

**Table 68. Receiver AC Timing Specifications—3.125 GBaud**

Characteristic	Symbol	Range		Unit	Notes
		Min	Max		
Differential input voltage	$V_{IN}$	200	1600	mVp-p	Measured at receiver
Deterministic jitter tolerance	$J_D$	0.37	—	UI p-p	Measured at receiver
Combined deterministic and random jitter tolerance	$J_{DR}$	0.55	—	UI p-p	Measured at receiver
Total jitter tolerance <sup>1</sup>	$J_T$	0.65	—	UI p-p	Measured at receiver
Multiple input skew	$S_{MI}$	—	22	ns	Skew at the receiver input between lanes of a multilane link
Bit error rate	BER	—	$10^{-12}$		—
Unit interval	UI	320	320	ps	$\pm 100$ ppm

**Note:**

1. Total jitter is composed of three components, deterministic jitter, random jitter and single frequency sinusoidal jitter. The sinusoidal jitter may have any amplitude and frequency in the unshaded region of Figure 53. The sinusoidal jitter component is included to ensure margin for low frequency jitter, wander, noise, crosstalk and other variable system effects.



**Figure 53. Single Frequency Sinusoidal Jitter Limits**



## 18.8 Receiver Eye Diagrams

For each baud rate at which an LP-serial receiver is specified to operate, the receiver shall meet the corresponding bit error rate specification (Table 66, Table 67, and Table 68) when the eye pattern of the receiver test signal (exclusive of sinusoidal jitter) falls entirely within the unshaded portion of the receiver input compliance mask shown in Figure 54 with the parameters specified in Table 69. The eye pattern of the receiver test signal is measured at the input pins of the receiving device with the device replaced with a  $100\text{-}\Omega \pm 5\%$  differential resistive load.

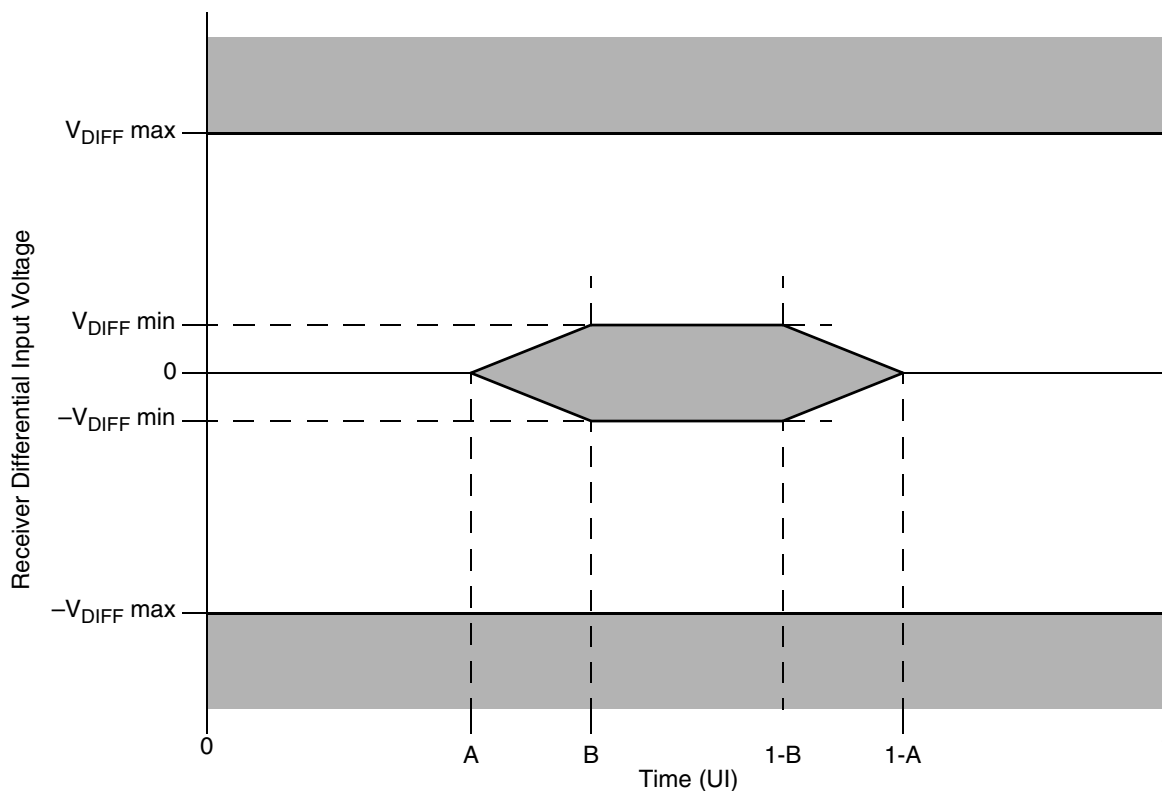


Figure 54. Receiver Input Compliance Mask

Table 69. Receiver Input Compliance Mask Parameters Exclusive of Sinusoidal Jitter

Receiver Type	$V_{DIFFmin}$ (mV)	$V_{DIFFmax}$ (mV)	A (UI)	B (UI)
1.25 GBaud	100	800	0.275	0.400
2.5 GBaud	100	800	0.275	0.400
3.125 GBaud	100	800	0.275	0.400

## 18.9 Measurement and Test Requirements

Since the LP-serial electrical specifications are guided by the XAUI electrical interface specified in Clause 47 of IEEE Std. 802.3ae-2002, the measurement and test requirements defined here are similarly guided by Clause 47. Additionally, the CJPAT test pattern defined in Annex 48A of IEEE Std.

802.3ae-2002 is specified as the test pattern for use in eye pattern and jitter measurements. Annex 48B of IEEE Std. 802.3ae-2002 is recommended as a reference for additional information on jitter test methods.

### 18.9.1 Eye Template Measurements

For the purpose of eye template measurements, the effects of a single-pole high pass filter with a 3 dB point at (baud frequency)/1667 is applied to the jitter. The data pattern for template measurements is the continuous jitter test pattern (CJPAT) defined in Annex 48A of IEEE 802.3ae. All lanes of the LP-serial link shall be active in both the transmit and receive directions, and opposite ends of the links shall use asynchronous clocks. Four lane implementations shall use CJPAT as defined in Annex 48A. Single lane implementations shall use the CJPAT sequence specified in Annex 48A for transmission on lane 0. The amount of data represented in the eye shall be adequate to ensure that the bit error ratio is less than  $10^{-12}$ . The eye pattern shall be measured with AC coupling and the compliance template centered at 0 V differential. The left and right edges of the template shall be aligned with the mean zero crossing points of the measured data eye. The load for this test shall be 100- $\Omega$  resistive  $\pm$  5% differential to 2.5 GHz.

### 18.9.2 Jitter Test Measurements

For the purpose of jitter measurement, the effects of a single-pole high pass filter with a 3 dB point at (baud frequency)/1667 is applied to the jitter. The data pattern for jitter measurements is the Continuous Jitter test pattern (CJPAT) pattern defined in Annex 48A of IEEE 802.3ae. All lanes of the LP-serial link shall be active in both the transmit and receive directions, and opposite ends of the links shall use asynchronous clocks. Four lane implementations shall use CJPAT as defined in Annex 48A. Single lane implementations shall use the CJPAT sequence specified in Annex 48A for transmission on lane 0. Jitter shall be measured with AC coupling and at 0 V differential. Jitter measurement for the transmitter (or for calibration of a jitter tolerance setup) shall be performed with a test procedure resulting in a BER curve such as that described in Annex 48B of IEEE 802.3ae.

### 18.9.3 Transmit Jitter

Transmit jitter is measured at the driver output when terminated into a load of 100  $\Omega$  resistive  $\pm$  5% differential to 2.5 GHz.

### 18.9.4 Jitter Tolerance

Jitter tolerance is measured at the receiver using a jitter tolerance test signal. This signal is obtained by first producing the sum of deterministic and random jitter defined in [Section 18.7, “Receiver Specifications,”](#) and then adjusting the signal amplitude until the data eye contacts the 6 points of the minimum eye opening of the receive template shown in [Figure 54](#) and [Table 69](#). Note that for this to occur, the test signal must have vertical waveform symmetry about the average value and have horizontal symmetry (including jitter) about the mean zero crossing. Eye template measurement requirements are as defined above. Random jitter is calibrated using a high pass filter with a low frequency corner at 20 MHz and a 20 dB/decade roll-off below this. The required sinusoidal jitter specified in [Section 18.7, “Receiver Specifications,”](#) is then added to the signal and the test load is replaced by the receiver being tested.

## 19 Package Description

This section details package parameters, pin assignments, and dimensions.

### 19.1 Package Parameters

The package parameters for both the HiCTE FC-CBGA and FC-PBGA are provided in [Table 70](#).

**Table 70. Package Parameters**

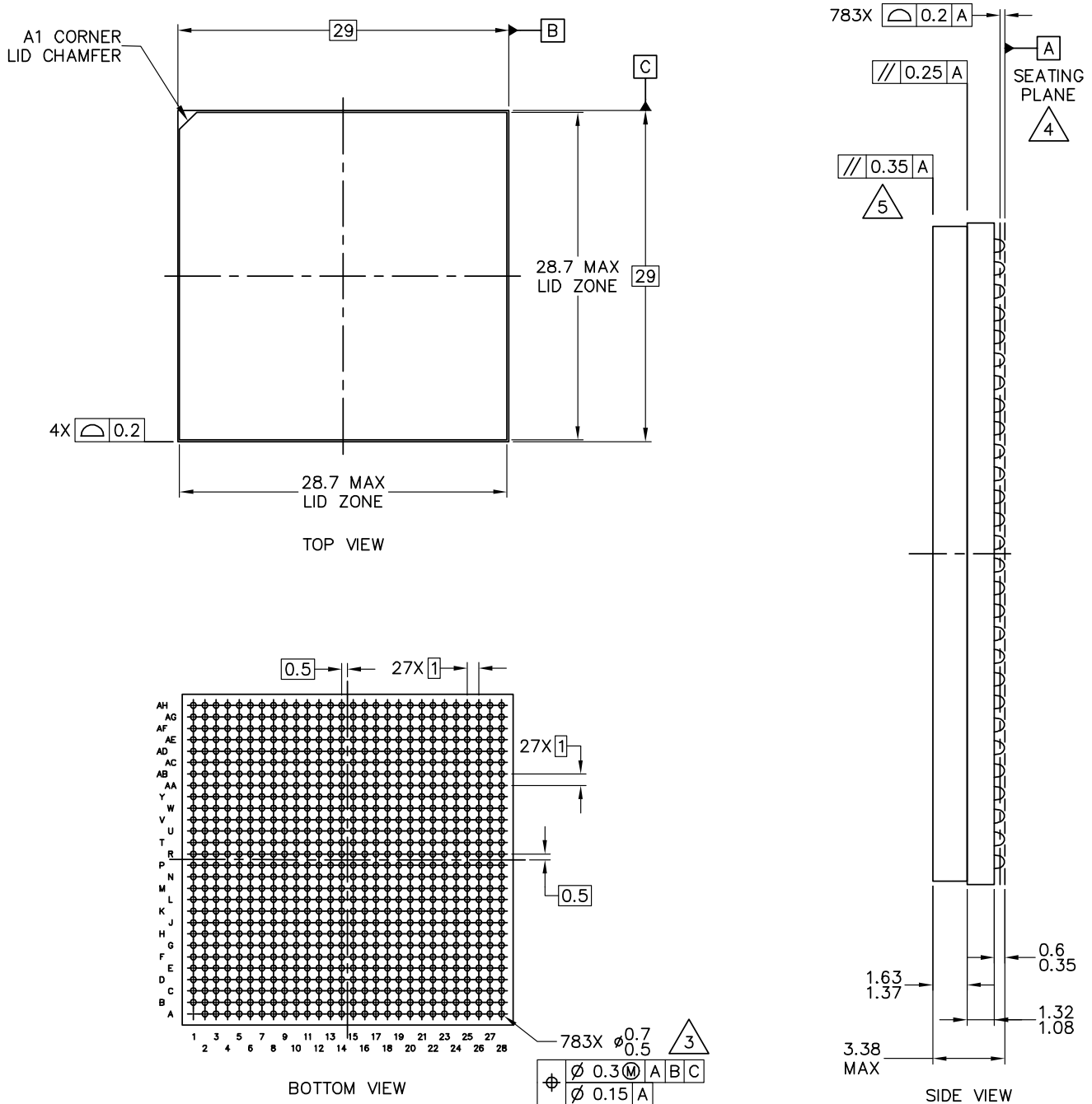
Parameter	CBGA <sup>1</sup>	PBGA <sup>2</sup>
Package outline	29 mm × 29 mm	29 mm × 29 mm
Interconnects	783	783
Ball pitch	1 mm	1 mm
Ball diameter (typical)	0.6 mm	0.6 mm
Solder ball	63% Sn 37% Pb 0% Ag	63% Sn 37% Pb 0% Ag
Solder ball (lead-free)	95% Sn 4.5% Ag 0.5% Cu	96.5% Sn 3.5% Ag

**Notes:**

1. The HiCTE FC-CBGA package is available on only Version 2.0 of the device.
2. The FC-PBGA package is available on only versions 2.1.1 and 2.1.2, and 3.0 of the device.

## 19.2 Mechanical Dimensions of the HiCTE FC-CBGA and FC-PBGA with Full Lid

The following figures show the mechanical dimensions and bottom surface nomenclature for the MPC8548E HiCTE FC-CBGA and FC-PBGA packages.

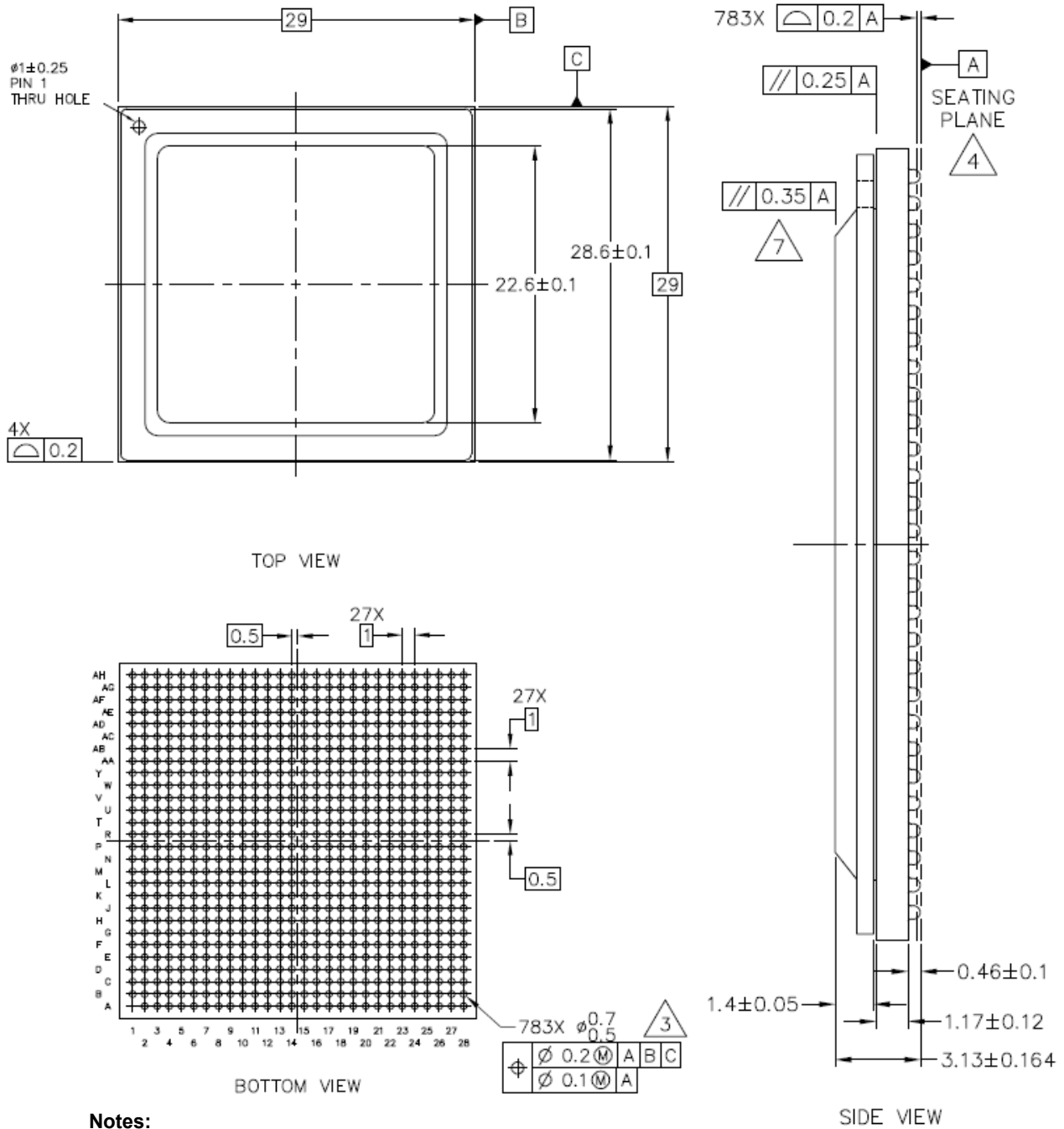


**Figure 55. Mechanical Dimensions and Bottom Surface Nomenclature of the HiCTE FC-CBGA and FC-PBGA with Full Lid**

**Notes:**

1. All dimensions are in millimeters.
2. Dimensioning and tolerancing per ASME Y14.5M-1994.
3. Maximum solder ball diameter measured parallel to datum A.
4. Datum A, the seating plane, is determined by the spherical crowns of the solder balls.
5. Parallelism measurement shall exclude any effect of mark on top surface of package.
6. All dimensions are symmetric across the package center lines unless dimensioned otherwise.

Package Description



Notes:

1. All dimensions are in millimeters.
2. Dimensioning and tolerancing per ASME Y14.5M-1994.
3. Maximum solder ball diameter measured parallel to datum A.
4. Datum A, the seating plane, is determined by the spherical crowns of the solder balls.
5. Capacitors may not be present on all devices.
6. Caution must be taken not to short capacitors or exposed metal capacitor pads on package top.
7. Parallelism measurement shall exclude any effect of mark on top surface of package.
8. All dimensions are symmetric across the package center lines unless dimensioned otherwise.

Figure 56. Mechanical Dimensions and Bottom Surface Nomenclature of the FC-PBGA with Stamped Lid

## 19.3 Pinout Listings

### NOTE

The  $\overline{\text{DMA\_DACK}}[0:1]$  and  $\overline{\text{TEST\_SEL}}/\overline{\text{TEST\_SEL}}$  pins must be set to a proper state during POR configuration. See the pinlist table of the individual device for more details.

For MPC8548/47/45, GPIOs are still available on  $\text{PCI1\_AD}[63:32]/\text{PC2\_AD}[31:0]$  pins if they are not used for PCI functionality.

For MPC8545/43, eTSEC does not support 16 bit FIFO mode.

Table 71 provides the pinout listing for the MPC8548E 783 FC-PBGA package.

**Table 71. MPC8548E Pinout Listing**

Signal	Package Pin Number	Pin Type	Power Supply	Notes
<b>PCI1 and PCI2 (One 64-Bit or Two 32-Bit)</b>				
$\text{PCI1\_AD}[63:32]/\text{PCI2\_AD}[31:0]$	AB14, AC15, AA15, Y16, W16, AB16, AC16, AA16, AE17, AA18, W18, AC17, AD16, AE16, Y17, AC18, AB18, AA19, AB19, AB21, AA20, AC20, AB20, AB22, AC22, AD21, AB23, AF23, AD23, AE23, AC23, AC24	I/O	$\text{OV}_{\text{DD}}$	17
$\text{PCI1\_AD}[31:0]$	AH6, AE7, AF7, AG7, AH7, AF8, AH8, AE9, AH9, AC10, AB10, AD10, AG10, AA10, AH10, AA11, AB12, AE12, AG12, AH12, AB13, AA12, AC13, AE13, Y14, W13, AG13, V14, AH13, AC14, Y15, AB15	I/O	$\text{OV}_{\text{DD}}$	17
$\text{PCI1\_C\_}\overline{\text{BE}}[7:4]/\text{PCI2\_C\_}\overline{\text{BE}}[3:0]$	AF15, AD14, AE15, AD15	I/O	$\text{OV}_{\text{DD}}$	17
$\text{PCI1\_C\_}\overline{\text{BE}}[3:0]$	AF9, AD11, Y12, Y13	I/O	$\text{OV}_{\text{DD}}$	17
$\text{PCI1\_PAR}64/\text{PCI2\_PAR}$	W15	I/O	$\text{OV}_{\text{DD}}$	
$\overline{\text{PCI1\_GNT}}[4:1]$	AG6, AE6, AF5, AH5	O	$\text{OV}_{\text{DD}}$	5, 9, 35
$\overline{\text{PCI1\_GNT}}0$	AG5	I/O	$\text{OV}_{\text{DD}}$	—
$\overline{\text{PCI1\_IRDY}}$	AF11	I/O	$\text{OV}_{\text{DD}}$	2
$\text{PCI1\_PAR}$	AD12	I/O	$\text{OV}_{\text{DD}}$	—
$\overline{\text{PCI1\_PERR}}$	AC12	I/O	$\text{OV}_{\text{DD}}$	2
$\overline{\text{PCI1\_SERR}}$	V13	I/O	$\text{OV}_{\text{DD}}$	2, 4
$\overline{\text{PCI1\_STOP}}$	W12	I/O	$\text{OV}_{\text{DD}}$	2
$\overline{\text{PCI1\_TRDY}}$	AG11	I/O	$\text{OV}_{\text{DD}}$	2

Table 71. MPC8548E Pinout Listing (continued)

Signal	Package Pin Number	Pin Type	Power Supply	Notes
$\overline{\text{PCI1\_REQ}}[4:1]$	AH2, AG4, AG3, AH4	I	$\text{OV}_{\text{DD}}$	— — — — —
$\overline{\text{PCI1\_REQ0}}$	AH3	I/O	$\text{OV}_{\text{DD}}$	—
$\overline{\text{PCI1\_CLK}}$	AH26	I	$\text{OV}_{\text{DD}}$	39
$\overline{\text{PCI1\_DEVSEL}}$	AH11	I/O	$\text{OV}_{\text{DD}}$	2
$\overline{\text{PCI1\_FRAME}}$	AE11	I/O	$\text{OV}_{\text{DD}}$	2
$\overline{\text{PCI1\_IDSEL}}$	AG9	I	$\text{OV}_{\text{DD}}$	—
$\overline{\text{PCI1\_REQ64/PCI2\_FRAME}}$	AF14	I/O	$\text{OV}_{\text{DD}}$	2, 5, 10
$\overline{\text{PCI1\_ACK64/PCI2\_DEVSEL}}$	V15	I/O	$\text{OV}_{\text{DD}}$	2
$\overline{\text{PCI2\_CLK}}$	AE28	I	$\text{OV}_{\text{DD}}$	39
$\overline{\text{PCI2\_IRDY}}$	AD26	I/O	$\text{OV}_{\text{DD}}$	2
$\overline{\text{PCI2\_PERR}}$	AD25	I/O	$\text{OV}_{\text{DD}}$	2
$\overline{\text{PCI2\_GNT}}[4:1]$	AE26, AG24, AF25, AE25	O	$\text{OV}_{\text{DD}}$	5, 9, 35
$\overline{\text{PCI2\_GNT0}}$	AG25	I/O	$\text{OV}_{\text{DD}}$	—
$\overline{\text{PCI2\_SERR}}$	AD24	I/O	$\text{OV}_{\text{DD}}$	2, 4
$\overline{\text{PCI2\_STOP}}$	AF24	I/O	$\text{OV}_{\text{DD}}$	2
$\overline{\text{PCI2\_TRDY}}$	AD27	I/O	$\text{OV}_{\text{DD}}$	2
$\overline{\text{PCI2\_REQ}}[4:1]$	AD28, AE27, W17, AF26	I	$\text{OV}_{\text{DD}}$	—
$\overline{\text{PCI2\_REQ0}}$	AH25	I/O	$\text{OV}_{\text{DD}}$	—
<b>DDR SDRAM Memory Interface</b>				
MDQ[0:63]	L18, J18, K14, L13, L19, M18, L15, L14, A17, B17, A13, B12, C18, B18, B13, A12, H18, F18, J14, F15, K19, J19, H16, K15, D17, G16, K13, D14, D18, F17, F14, E14, A7, A6, D5, A4, C8, D7, B5, B4, A2, B1, D1, E4, A3, B2, D2, E3, F3, G4, J5, K5, F6, G5, J6, K4, J1, K2, M5, M3, J3, J2, L1, M6	I/O	$\text{GV}_{\text{DD}}$	—
MECC[0:7]	H13, F13, F11, C11, J13, G13, D12, M12	I/O	$\text{GV}_{\text{DD}}$	—
MDM[0:8]	M17, C16, K17, E16, B6, C4, H4, K1, E13	O	$\text{GV}_{\text{DD}}$	—
MDQS[0:8]	M15, A16, G17, G14, A5, D3, H1, L2, C13	I/O	$\text{GV}_{\text{DD}}$	—
$\overline{\text{MDQS}}[0:8]$	L17, B16, J16, H14, C6, C2, H3, L4, D13	I/O	$\text{GV}_{\text{DD}}$	—
MA[0:15]	A8, F9, D9, B9, A9, L10, M10, H10, K10, G10, B8, E10, B10, G6, A10, L11	O	$\text{GV}_{\text{DD}}$	—
MBA[0:2]	F7, J7, M11	O	$\text{GV}_{\text{DD}}$	—



Table 71. MPC8548E Pinout Listing (continued)

Signal	Package Pin Number	Pin Type	Power Supply	Notes
$\overline{\text{MWE}}$	E7	O	$\text{GV}_{\text{DD}}$	—
$\overline{\text{MCAS}}$	H7	O	$\text{GV}_{\text{DD}}$	—
$\overline{\text{MRAS}}$	L8	O	$\text{GV}_{\text{DD}}$	—
MCKE[0:3]	F10, C10, J11, H11	O	$\text{GV}_{\text{DD}}$	11
$\overline{\text{MCS}}$ [0:3]	K8, J8, G8, F8	O	$\text{GV}_{\text{DD}}$	—
MCK[0:5]	H9, B15, G2, M9, A14, F1	O	$\text{GV}_{\text{DD}}$	—
$\overline{\text{MCK}}$ [0:5]	J9, A15, G1, L9, B14, F2	O	$\text{GV}_{\text{DD}}$	—
MODT[0:3]	E6, K6, L7, M7	O	$\text{GV}_{\text{DD}}$	—
MDIC[0:1]	A19, B19	I/O	$\text{GV}_{\text{DD}}$	36
<b>Local Bus Controller Interface</b>				
LAD[0:31]	E27, B20, H19, F25, A20, C19, E28, J23, A25, K22, B28, D27, D19, J22, K20, D28, D25, B25, E22, F22, F21, C25, C22, B23, F20, A23, A22, E19, A21, D21, F19, B21	I/O	$\text{BV}_{\text{DD}}$	—
LDP[0:3]	K21, C28, B26, B22	I/O	$\text{BV}_{\text{DD}}$	—
LA[27]	H21	O	$\text{BV}_{\text{DD}}$	5, 9
LA[28:31]	H20, A27, D26, A28	O	$\text{BV}_{\text{DD}}$	5, 7, 9
$\overline{\text{LCS}}$ [0:4]	J25, C20, J24, G26, A26	O	$\text{BV}_{\text{DD}}$	
$\overline{\text{LCS5/DMA\_DREQ2}}$	D23	I/O	$\text{BV}_{\text{DD}}$	1
$\overline{\text{LCS6/DMA\_DACK2}}$	G20	O	$\text{BV}_{\text{DD}}$	1
$\overline{\text{LCS7/DMA\_DDONE2}}$	E21	O	$\text{BV}_{\text{DD}}$	1
$\overline{\text{LWE0/LBS0/LSDDQM}}[0]$	G25	O	$\text{BV}_{\text{DD}}$	5, 9
$\overline{\text{LWE1/LBS1/LSDDQM}}[1]$	C23	O	$\text{BV}_{\text{DD}}$	5, 9
$\overline{\text{LWE2/LBS2/LSDDQM}}[2]$	J21	O	$\text{BV}_{\text{DD}}$	5, 9
$\overline{\text{LWE3/LBS3/LSDDQM}}[3]$	A24	O	$\text{BV}_{\text{DD}}$	5, 9
LALE	H24	O	$\text{BV}_{\text{DD}}$	5, 8, 9
LBCTL	G27	O	$\text{BV}_{\text{DD}}$	5, 8, 9
LGPL0/LSDA10	F23	O	$\text{BV}_{\text{DD}}$	5, 9
LGPL1/ $\overline{\text{LSDWE}}$	G22	O	$\text{BV}_{\text{DD}}$	5, 9
LGPL2/ $\overline{\text{LOE/LSDRAS}}$	B27	O	$\text{BV}_{\text{DD}}$	5, 8, 9
LGPL3/ $\overline{\text{LSDCAS}}$	F24	O	$\text{BV}_{\text{DD}}$	5, 9
LGPL4/ $\overline{\text{LGT\AA/LUPWAIT/LPBSE}}$	H23	I/O	$\text{BV}_{\text{DD}}$	—
LGPL5	E26	O	$\text{BV}_{\text{DD}}$	5, 9
LCKE	E24	O	$\text{BV}_{\text{DD}}$	—
LCLK[0:2]	E23, D24, H22	O	$\text{BV}_{\text{DD}}$	—

Table 71. MPC8548E Pinout Listing (continued)

Signal	Package Pin Number	Pin Type	Power Supply	Notes
LSYNC_IN	F27	I	BV <sub>DD</sub>	—
LSYNC_OUT	F28	O	BV <sub>DD</sub>	—
DMA				
$\overline{\text{DMA\_DACK}}[0:1]$	AD3, AE1	O	OV <sub>DD</sub>	5, 9, 102
$\overline{\text{DMA\_DREQ}}[0:1]$	AD4, AE2	I	OV <sub>DD</sub>	—
$\overline{\text{DMA\_DDONE}}[0:1]$	AD2, AD1	O	OV <sub>DD</sub>	—
Programmable Interrupt Controller				
$\overline{\text{UDE}}$	AH16	I	OV <sub>DD</sub>	—
$\overline{\text{MCP}}$	AG19	I	OV <sub>DD</sub>	—
IRQ[0:7]	AG23, AF18, AE18, AF20, AG18, AF17, AH24, AE20	I	OV <sub>DD</sub>	—
IRQ[8]	AF19	I	OV <sub>DD</sub>	—
IRQ[9]/DMA_DREQ3	AF21	I	OV <sub>DD</sub>	1
IRQ[10]/DMA_DACK3	AE19	I/O	OV <sub>DD</sub>	1
IRQ[11]/DMA_DDONE3	AD20	I/O	OV <sub>DD</sub>	1
$\overline{\text{IRQ\_OUT}}$	AD18	O	OV <sub>DD</sub>	2, 4
Ethernet Management Interface				
EC_MDC	AB9	O	OV <sub>DD</sub>	5, 9
EC_MDIO	AC8	I/O	OV <sub>DD</sub>	—
Gigabit Reference Clock				
EC_GTX_CLK125	V11	I	LV <sub>DD</sub>	—
Three-Speed Ethernet Controller (Gigabit Ethernet 1)				
TSEC1_RXD[7:0]	R5, U1, R3, U2, V3, V1, T3, T2	I	LV <sub>DD</sub>	—
TSEC1_TXD[7:0]	T10, V7, U10, U5, U4, V6, T5, T8	O	LV <sub>DD</sub>	5, 9
TSEC1_COL	R4	I	LV <sub>DD</sub>	—
TSEC1_CRS	V5	I/O	LV <sub>DD</sub>	20
TSEC1_GTX_CLK	U7	O	LV <sub>DD</sub>	—
TSEC1_RX_CLK	U3	I	LV <sub>DD</sub>	—
TSEC1_RX_DV	V2	I	LV <sub>DD</sub>	—
TSEC1_RX_ER	T1	I	LV <sub>DD</sub>	—
TSEC1_TX_CLK	T6	I	LV <sub>DD</sub>	—
TSEC1_TX_EN	U9	O	LV <sub>DD</sub>	30
TSEC1_TX_ER	T7	O	LV <sub>DD</sub>	—

Table 71. MPC8548E Pinout Listing (continued)

Signal	Package Pin Number	Pin Type	Power Supply	Notes
<b>Three-Speed Ethernet Controller (Gigabit Ethernet 2)</b>				
TSEC2_RXD[7:0]	P2, R2, N1, N2, P3, M2, M1, N3	I	LV <sub>DD</sub>	—
TSEC2_TXD[7:0]	N9, N10, P8, N7, R9, N5, R8, N6	O	LV <sub>DD</sub>	5, 9, 33
TSEC2_COL	P1	I	LV <sub>DD</sub>	—
TSEC2_CRS	R6	I/O	LV <sub>DD</sub>	20
TSEC2_GTX_CLK	P6	O	LV <sub>DD</sub>	
TSEC2_RX_CLK	N4	I	LV <sub>DD</sub>	—
TSEC2_RX_DV	P5	I	LV <sub>DD</sub>	—
TSEC2_RX_ER	R1	I	LV <sub>DD</sub>	—
TSEC2_TX_CLK	P10	I	LV <sub>DD</sub>	—
TSEC2_TX_EN	P7	O	LV <sub>DD</sub>	30
TSEC2_TX_ER	R10	O	LV <sub>DD</sub>	5, 9, 33
<b>Three-Speed Ethernet Controller (Gigabit Ethernet 3)</b>				
TSEC3_TXD[3:0]	V8, W10, Y10, W7	O	TV <sub>DD</sub>	5, 9, 29
TSEC3_RXD[3:0]	Y1, W3, W5, W4	I	TV <sub>DD</sub>	—
TSEC3_GTX_CLK	W8	O	TV <sub>DD</sub>	—
TSEC3_RX_CLK	W2	I	TV <sub>DD</sub>	—
TSEC3_RX_DV	W1	I	TV <sub>DD</sub>	—
TSEC3_RX_ER	Y2	I	TV <sub>DD</sub>	—
TSEC3_TX_CLK	V10	I	TV <sub>DD</sub>	—
TSEC3_TX_EN	V9	O	TV <sub>DD</sub>	30
<b>Three-Speed Ethernet Controller (Gigabit Ethernet 4)</b>				
TSEC4_TXD[3:0]/TSEC3_TXD[7:4]	AB8, Y7, AA7, Y8	O	TV <sub>DD</sub>	1, 5, 9, 29
TSEC4_RXD[3:0]/TSEC3_RXD[7:4]	AA1, Y3, AA2, AA4	I	TV <sub>DD</sub>	1
TSEC4_GTX_CLK	AA5	O	TV <sub>DD</sub>	—
TSEC4_RX_CLK/TSEC3_COL	Y5	I	TV <sub>DD</sub>	1
TSEC4_RX_DV/TSEC3_CRS	AA3	I/O	TV <sub>DD</sub>	1, 31
TSEC4_TX_EN/TSEC3_TX_ER	AB6	O	TV <sub>DD</sub>	1, 30
<b>DUART</b>				
UART_CTS[0:1]	AB3, AC5	I	OV <sub>DD</sub>	—
UART_RTS[0:1]	AC6, AD7	O	OV <sub>DD</sub>	—
UART_SIN[0:1]	AB5, AC7	I	OV <sub>DD</sub>	—
UART_SOUT[0:1]	AB7, AD8	O	OV <sub>DD</sub>	—

Table 71. MPC8548E Pinout Listing (continued)

Signal	Package Pin Number	Pin Type	Power Supply	Notes
<b>I<sup>2</sup>C interface</b>				
IIC1_SCL	AG22	I/O	OV <sub>DD</sub>	4, 27
IIC1_SDA	AG21	I/O	OV <sub>DD</sub>	4, 27
IIC2_SCL	AG15	I/O	OV <sub>DD</sub>	4, 27
IIC2_SDA	AG14	I/O	OV <sub>DD</sub>	4, 27
<b>SerDes</b>				
SD_RX[0:7]	M28, N26, P28, R26, W26, Y28, AA26, AB28	I	XV <sub>DD</sub>	—
$\overline{\text{SD\_RX}}[0:7]$	M27, N25, P27, R25, W25, Y27, AA25, AB27	I	XV <sub>DD</sub>	—
SD_TX[0:7]	M22, N20, P22, R20, U20, V22, W20, Y22	O	XV <sub>DD</sub>	—
$\overline{\text{SD\_TX}}[0:7]$	M23, N21, P23, R21, U21, V23, W21, Y23	O	XV <sub>DD</sub>	—
SD_PLL_TPD	U28	O	XV <sub>DD</sub>	24
SD_REF_CLK	T28	I	XV <sub>DD</sub>	3
$\overline{\text{SD\_REF\_CLK}}$	T27	I	XV <sub>DD</sub>	3
Reserved	AC1, AC3	—	—	2
Reserved	M26, V28	—	—	32
Reserved	M25, V27	—	—	34
Reserved	M20, M21, T22, T23	—	—	38
<b>General-Purpose Output</b>				
GPOUT[24:31]	K26, K25, H27, G28, H25, J26, K24, K23	O	BV <sub>DD</sub>	—
<b>System Control</b>				
$\overline{\text{HRESET}}$	AG17	I	OV <sub>DD</sub>	—
$\overline{\text{HRESET\_REQ}}$	AG16	O	OV <sub>DD</sub>	29
$\overline{\text{SRESET}}$	AG20	I	OV <sub>DD</sub>	—
$\overline{\text{CKSTP\_IN}}$	AA9	I	OV <sub>DD</sub>	—
$\overline{\text{CKSTP\_OUT}}$	AA8	O	OV <sub>DD</sub>	2, 4
<b>Debug</b>				
TRIG_IN	AB2	I	OV <sub>DD</sub>	—
TRIG_OUT/READY/QUIESCE	AB1	O	OV <sub>DD</sub>	6, 9, 19, 29
MSRCID[0:1]	AE4, AG2	O	OV <sub>DD</sub>	5, 6, 9
MSRCID[2:4]	AF3, AF1, AF2	O	OV <sub>DD</sub>	6, 19, 29
MDVAL	AE5	O	OV <sub>DD</sub>	6
CLK_OUT	AE21	O	OV <sub>DD</sub>	11

Table 71. MPC8548E Pinout Listing (continued)

Signal	Package Pin Number	Pin Type	Power Supply	Notes
<b>Clock</b>				
RTC	AF16	I	OV <sub>DD</sub>	—
SYSCLK	AH17	I	OV <sub>DD</sub>	—
<b>JTAG</b>				
TCK	AG28	I	OV <sub>DD</sub>	—
TDI	AH28	I	OV <sub>DD</sub>	12
TDO	AF28	O	OV <sub>DD</sub>	—
TMS	AH27	I	OV <sub>DD</sub>	12
$\overline{\text{TRST}}$	AH23	I	OV <sub>DD</sub>	12
<b>DFT</b>				
L1_TSTCLK	AC25	I	OV <sub>DD</sub>	25
L2_TSTCLK	AE22	I	OV <sub>DD</sub>	25
$\overline{\text{LSSD\_MODE}}$	AH20	I	OV <sub>DD</sub>	25
$\overline{\text{TEST\_SEL}}$	AH14	I	OV <sub>DD</sub>	25
<b>Thermal Management</b>				
THERM0	AG1	—	—	14
THERM1	AH1	—	—	14
<b>Power Management</b>				
ASLEEP	AH18	O	OV <sub>DD</sub>	9, 19, 29
<b>Power and Ground Signals</b>				
GND	A11, B7, B24, C1, C3, C5, C12, C15, C26, D8, D11, D16, D20, D22, E1, E5, E9, E12, E15, E17, F4, F26, G12, G15, G18, G21, G24, H2, H6, H8, H28, J4, J12, J15, J17, J27, K7, K9, K11, K27, L3, L5, L12, L16, N11, N13, N15, N17, N19, P4, P9, P12, P14, P16, P18, R11, R13, R15, R17, R19, T4, T12, T14, T16, T18, U8, U11, U13, U15, U17, U19, V4, V12, V18, W6, W19, Y4, Y9, Y11, Y19, AA6, AA14, AA17, AA22, AA23, AB4, AC2, AC11, AC19, AC26, AD5, AD9, AD22, AE3, AE14, AF6, AF10, AF13, AG8, AG27, K28, L24, L26, N24, N27, P25, R28, T24, T26, U24, V25, W28, Y24, Y26, AA24, AA27, AB25, AC28, L21, L23, N22, P20, R23, T21, U22, V20, W23, Y21, U27	—	—	—
OV <sub>DD</sub>	V16, W11, W14, Y18, AA13, AA21, AB11, AB17, AB24, AC4, AC9, AC21, AD6, AD13, AD17, AD19, AE10, AE8, AE24, AF4, AF12, AF22, AF27, AG26	Power for PCI and other standards (3.3 V)	OV <sub>DD</sub>	—

Table 71. MPC8548E Pinout Listing (continued)

Signal	Package Pin Number	Pin Type	Power Supply	Notes
LV <sub>DD</sub>	N8, R7, T9, U6	Power for TSEC1 and TSEC2 (2.5 V, 3.3 V)	LV <sub>DD</sub>	—
TV <sub>DD</sub>	W9, Y6	Power for TSEC3 and TSEC4 (2.5 V, 3.3 V)	TV <sub>DD</sub>	—
GV <sub>DD</sub>	B3, B11, C7, C9, C14, C17, D4, D6, D10, D15, E2, E8, E11, E18, F5, F12, F16, G3, G7, G9, G11, H5, H12, H15, H17, J10, K3, K12, K16, K18, L6, M4, M8, M13	Power for DDR1 and DDR2 DRAM I/O voltage (1.8 V, 2.5)	GV <sub>DD</sub>	—
BV <sub>DD</sub>	C21, C24, C27, E20, E25, G19, G23, H26, J20	Power for local bus (1.8 V, 2.5 V, 3.3 V)	BV <sub>DD</sub>	—
V <sub>DD</sub>	M19, N12, N14, N16, N18, P11, P13, P15, P17, P19, R12, R14, R16, R18, T11, T13, T15, T17, T19, U12, U14, U16, U18, V17, V19	Power for core (1.1 V)	V <sub>DD</sub>	—
SV <sub>DD</sub>	L25, L27, M24, N28, P24, P26, R24, R27, T25, V24, V26, W24, W27, Y25, AA28, AC27	Core Power for SerDes transceivers (1.1 V)	SV <sub>DD</sub>	—
XV <sub>DD</sub>	L20, L22, N23, P21, R22, T20, U23, V21, W22, Y20	Pad Power for SerDes transceivers (1.1 V)	XV <sub>DD</sub>	—
AVDD_LBIU	J28	Power for local bus PLL (1.1 V)	—	26
AVDD_PCI1	AH21	Power for PCI1 PLL (1.1 V)	—	26
AVDD_PCI2	AH22	Power for PCI2 PLL (1.1 V)	—	26
AVDD_CORE	AH15	Power for e500 PLL (1.1 V)	—	26
AVDD_PLAT	AH19	Power for CCB PLL (1.1 V)	—	26
AVDD_SRDS	U25	Power for SRDSPLL (1.1 V)	—	26
SENSEVDD	M14	O	V <sub>DD</sub>	13

Table 71. MPC8548E Pinout Listing (continued)

Signal	Package Pin Number	Pin Type	Power Supply	Notes
SENSEVSS	M16	—	—	13
<b>Analog Signals</b>				
MVREF	A18	I Reference voltage signal for DDR	MVREF	—
SD_IMP_CAL_RX	L28	I	200Ω to GND	—
SD_IMP_CAL_TX	AB26	I	100Ω to GND	—
SD_PLL_TPA	U26	O	—	24

**Notes:**

- All multiplexed signals are listed only once and do not re-occur. For example,  $\overline{\text{LCS5/DMA\_REQ2}}$  is listed only once in the local bus controller section, and is not mentioned in the DMA section even though the pin also functions as  $\overline{\text{DMA\_REQ2}}$ .
- Recommend a weak pull-up resistor (2–10 kΩ) be placed on this pin to  $\text{OV}_{\text{DD}}$ .
- A valid clock must be provided at POR if  $\text{TSEC4\_TXD}[2]$  is set = 1.
- This pin is an open drain signal.
- This pin is a reset configuration pin. It has a weak internal pull-up P-FET which is enabled only when the processor is in the reset state. This pull-up is designed such that it can be overpowered by an external 4.7-kΩ pull-down resistor. However, if the signal is intended to be high after reset, and if there is any device on the net which might pull down the value of the net at reset, then a pullup or active driver is needed.
- Treat these pins as no connects (NC) unless using debug address functionality.
- The value of  $\text{LA}[28:31]$  during reset sets the CCB clock to  $\text{SYSCLK PLL}$  ratio. These pins require 4.7-kΩ pull-up or pull-down resistors. See [Section 20.2, “CCB/SYSCLK PLL Ratio.”](#)
- The value of  $\text{LALE}$ ,  $\text{LGPL2}$ , and  $\text{LBCTL}$  at reset set the e500 core clock to CCB clock PLL ratio. These pins require 4.7-kΩ pull-up or pull-down resistors. See the [Section 20.3, “e500 Core PLL Ratio.”](#)
- Functionally, this pin is an output, but structurally it is an I/O because it either samples configuration input during reset or because it has other manufacturing test functions. This pin therefore is described as an I/O for boundary scan.
- This pin functionally requires a pull-up resistor, but during reset it is a configuration input that controls 32- vs. 64-bit PCI operation. Therefore, it must be actively driven low during reset by reset logic if the device is to be configured to be a 64-bit PCI device. See the *PCI Specification*.
- This output is actively driven during reset rather than being three-stated during reset.
- These JTAG pins have weak internal pull-up P-FETs that are always enabled.
- These pins are connected to the  $\text{V}_{\text{DD}}/\text{GND}$  planes internally and may be used by the core power supply to improve tracking and regulation.
- Internal thermally sensitive resistor.
- No connections must be made to these pins if they are not used.
- These pins are not connected for any use.
- PCI specifications recommend that a weak pull-up resistor (2–10 kΩ) be placed on the higher order pins to  $\text{OV}_{\text{DD}}$  when using 64-bit buffer mode (pins  $\text{PCI\_AD}[63:32]$  and  $\text{PCI1\_C\_BE}[7:4]$ ).
- If this pin is connected to a device that pulls down during reset, an external pull-up is required to drive this pin to a safe state during reset.
- This pin is only an output in FIFO mode when used as Rx flow control.
- Do not connect.

Table 71. MPC8548E Pinout Listing (continued)

Signal	Package Pin Number	Pin Type	Power Supply	Notes
				25. These are test signals for factory use only and must be pulled up (100 $\Omega$ –1 k $\Omega$ ) to $OV_{DD}$ for normal machine operation.
				26. Independent supplies derived from board $V_{DD}$ .
				27. Recommend a pull-up resistor (~1 k $\Omega$ ) be placed on this pin to $OV_{DD}$ .
				29. The following pins must NOT be pulled down during power-on reset: TSEC3_TXD[3], TSEC4_TXD3/TSEC3_TXD7, HRESET_REQ, TRIG_OUT/READY/QUIESCE, MSRCID[2:4], ASLEEP.
				30. This pin requires an external 4.7-k $\Omega$ pull-down resistor to prevent PHY from seeing a valid transmit enable before it is actively driven.
				31. This pin is only an output in eTSEC3 FIFO mode when used as Rx flow control.
				32. These pins must be connected to $XV_{DD}$ .
				33. TSEC2_TXD1, TSEC2_TX_ER are multiplexed as <code>cfg_dram_type[0:1]</code> . They must be valid at power-up, even before $\overline{\text{HRESET}}$ assertion.
				34. These pins must be pulled to ground through a 300- $\Omega$ ( $\pm 10\%$ ) resistor.
				35. When a PCI block is disabled, either the POR config pin that selects between internal and external arbiter must be pulled down to select external arbiter if there is any other PCI device connected on the PCI bus, or leave the $\text{PCIn\_AD}$ pins as 'no connect' or terminated through 2–10 k $\Omega$ pull-up resistors with the default of internal arbiter if the $\text{PCIn\_AD}$ pins are not connected to any other PCI device. The PCI block drives the $\text{PCIn\_AD}$ pins if it is configured to be the PCI arbiter—through POR config pins—irrespective of whether it is disabled via the DEVDISR register or not. It may cause contention if there is any other PCI device connected on the bus.
				36. MDIC0 is grounded through an 18.2- $\Omega$ precision 1% resistor and MDIC1 is connected to $GV_{DD}$ through an 18.2- $\Omega$ precision 1% resistor. These pins are used for automatic calibration of the DDR IOs.
				38. These pins must be left floating.
				39. If PCI1 or PCI2 is configured as PCI asynchronous mode, a valid clock must be provided on pin $\text{PCI1\_CLK}$ or $\text{PCI2\_CLK}$ . Otherwise the processor will not boot up.
				40. These pins must be connected to GND.
				101. This pin requires an external 4.7-k $\Omega$ resistor to GND.
				102. For Rev. 2.x silicon, $\overline{\text{DMA\_DACK}}[0:1]$ must be 0b11 during POR configuration; for rev. 1.x silicon, the pin values during POR configuration are don't care.
				103. If these pins are not used as $\text{GPINn}$ (general-purpose input), they must be pulled low (to GND) or high (to $LV_{DD}$ ) through 2–10 k $\Omega$ resistors.
				104. These must be pulled low to GND through 2–10 k $\Omega$ resistors if they are not used.
				105. These must be pulled low or high to $LV_{DD}$ through 2–10 k $\Omega$ resistors if they are not used.
				106. For rev. 2.x silicon, $\overline{\text{DMA\_DACK}}[0:1]$ must be 0b10 during POR configuration; for rev. 1.x silicon, the pin values during POR configuration are don't care.
				107. For rev. 2.x silicon, $\overline{\text{DMA\_DACK}}[0:1]$ must be 0b01 during POR configuration; for rev. 1.x silicon, the pin values during POR configuration are don't care.
				108. For rev. 2.x silicon, $\overline{\text{DMA\_DACK}}[0:1]$ must be 0b11 during POR configuration; for rev. 1.x silicon, the pin values during POR configuration are don't care.
				109. This is a test signal for factory use only and must be pulled down (100 $\Omega$ – 1 k $\Omega$ ) to GND for normal machine operation.
				110. These pins must be pulled high to $OV_{DD}$ through 2–10 k $\Omega$ resistors.
				111. If these pins are not used as $\text{GPINn}$ (general-purpose input), they must be pulled low (to GND) or high (to $OV_{DD}$ ) through 2–10 k $\Omega$ resistors.
				112. This pin must not be pulled down during POR configuration.
				113. These should be pulled low or high to $OV_{DD}$ through 2–10 k $\Omega$ resistors.



Table 72 provides the pin-out listing for the MPC8547E 783 FC-PBGA package.

### NOTE

All note references in the following table use the same numbers as those for Table 71. See Table 71 for the meanings of these notes.

**Table 72. MPC8547E Pinout Listing**

Signal	Package Pin Number	Pin Type	Power Supply	Notes
<b>PCI1 (One 64-Bit or One 32-Bit)</b>				
PCI1_AD[63:32]	AB14, AC15, AA15, Y16, W16, AB16, AC16, AA16, AE17, AA18, W18, AC17, AD16, AE16, Y17, AC18, AB18, AA19, AB19, AB21, AA20, AC20, AB20, AB22, AC22, AD21, AB23, AF23, AD23, AE23, AC23, AC24	I/O	OV <sub>DD</sub>	17
PCI1_AD[31:0]	AH6, AE7, AF7, AG7, AH7, AF8, AH8, AE9, AH9, AC10, AB10, AD10, AG10, AA10, AH10, AA11, AB12, AE12, AG12, AH12, AB13, AA12, AC13, AE13, Y14, W13, AG13, V14, AH13, AC14, Y15, AB15	I/O	OV <sub>DD</sub>	17
PCI1_C_BE[7:4]	AF15, AD14, AE15, AD15	I/O	OV <sub>DD</sub>	17
PCI1_C_BE[3:0]	AF9, AD11, Y12, Y13	I/O	OV <sub>DD</sub>	17
PCI1_PAR64	W15	I/O	OV <sub>DD</sub>	—
PCI1_GNT[4:1]	AG6, AE6, AF5, AH5	O	OV <sub>DD</sub>	5, 9, 35
PCI1_GNT0	AG5	I/O	OV <sub>DD</sub>	—
PCI1_IRDY	AF11	I/O	OV <sub>DD</sub>	2
PCI1_PAR	AD12	I/O	OV <sub>DD</sub>	—
PCI1_PERR	AC12	I/O	OV <sub>DD</sub>	2
PCI1_SERR	V13	I/O	OV <sub>DD</sub>	2, 4
PCI1_STOP	W12	I/O	OV <sub>DD</sub>	2
PCI1_TRDY	AG11	I/O	OV <sub>DD</sub>	2
PCI1_REQ[4:1]	AH2, AG4, AG3, AH4	I	OV <sub>DD</sub>	—
PCI1_REQ0	AH3	I/O	OV <sub>DD</sub>	—
PCI1_CLK	AH26	I	OV <sub>DD</sub>	39
PCI1_DEVSEL	AH11	I/O	OV <sub>DD</sub>	2
PCI1_FRAME	AE11	I/O	OV <sub>DD</sub>	2
PCI1_IDSEL	AG9	I	OV <sub>DD</sub>	—
PCI1_REQ64	AF14	I/O	OV <sub>DD</sub>	2, 5, 10
PCI1_ACK64	V15	I/O	OV <sub>DD</sub>	2
Reserved	AE28	—	—	2
Reserved	AD26	—	—	2
Reserved	AD25	—	—	2

Table 72. MPC8547E Pinout Listing (continued)

Signal	Package Pin Number	Pin Type	Power Supply	Notes
Reserved	AE26	—	—	2
cfg_pci1_clk	AG24	I	OV <sub>DD</sub>	5
Reserved	AF25	—	—	101
Reserved	AE25	—	—	2
Reserved	AG25	—	—	2
Reserved	AD24	—	—	2
Reserved	AF24	—	—	2
Reserved	AD27	—	—	2
Reserved	AD28, AE27, W17, AF26	—	—	2
Reserved	AH25	—	—	2
<b>DDR SDRAM Memory Interface</b>				
MDQ[0:63]	L18, J18, K14, L13, L19, M18, L15, L14, A17, B17, A13, B12, C18, B18, B13, A12, H18, F18, J14, F15, K19, J19, H16, K15, D17, G16, K13, D14, D18, F17, F14, E14, A7, A6, D5, A4, C8, D7, B5, B4, A2, B1, D1, E4, A3, B2, D2, E3, F3, G4, J5, K5, F6, G5, J6, K4, J1, K2, M5, M3, J3, J2, L1, M6	I/O	GV <sub>DD</sub>	—
MECC[0:7]	H13, F13, F11, C11, J13, G13, D12, M12	I/O	GV <sub>DD</sub>	—
MDM[0:8]	M17, C16, K17, E16, B6, C4, H4, K1, E13	O	GV <sub>DD</sub>	—
MDQS[0:8]	M15, A16, G17, G14, A5, D3, H1, L2, C13	I/O	GV <sub>DD</sub>	—
$\overline{\text{MDQS}}$ [0:8]	L17, B16, J16, H14, C6, C2, H3, L4, D13	I/O	GV <sub>DD</sub>	—
MA[0:15]	A8, F9, D9, B9, A9, L10, M10, H10, K10, G10, B8, E10, B10, G6, A10, L11	O	GV <sub>DD</sub>	—
MBA[0:2]	F7, J7, M11	O	GV <sub>DD</sub>	—
$\overline{\text{MWE}}$	E7	O	GV <sub>DD</sub>	—
$\overline{\text{MCAS}}$	H7	O	GV <sub>DD</sub>	—
$\overline{\text{MRAS}}$	L8	O	GV <sub>DD</sub>	—
MCKE[0:3]	F10, C10, J11, H11	O	GV <sub>DD</sub>	11
$\overline{\text{MCS}}$ [0:3]	K8, J8, G8, F8	O	GV <sub>DD</sub>	—
MCK[0:5]	H9, B15, G2, M9, A14, F1	O	GV <sub>DD</sub>	—
$\overline{\text{MCK}}$ [0:5]	J9, A15, G1, L9, B14, F2	O	GV <sub>DD</sub>	—
MODT[0:3]	E6, K6, L7, M7	O	GV <sub>DD</sub>	—
MDIC[0:1]	A19, B19	I/O	GV <sub>DD</sub>	36

Table 72. MPC8547E Pinout Listing (continued)

Signal	Package Pin Number	Pin Type	Power Supply	Notes
<b>Local Bus Controller Interface</b>				
LAD[0:31]	E27, B20, H19, F25, A20, C19, E28, J23, A25, K22, B28, D27, D19, J22, K20, D28, D25, B25, E22, F22, F21, C25, C22, B23, F20, A23, A22, E19, A21, D21, F19, B21	I/O	BV <sub>DD</sub>	—
LDP[0:3]	K21, C28, B26, B22	I/O	BV <sub>DD</sub>	—
LA[27]	H21	O	BV <sub>DD</sub>	5, 9
LA[28:31]	H20, A27, D26, A28	O	BV <sub>DD</sub>	5, 7, 9
$\overline{\text{LCS}}[0:4]$	J25, C20, J24, G26, A26	O	BV <sub>DD</sub>	—
$\overline{\text{LCS5/DMA\_DREQ2}}$	D23	I/O	BV <sub>DD</sub>	1
$\overline{\text{LCS6/DMA\_DACK2}}$	G20	O	BV <sub>DD</sub>	1
$\overline{\text{LCS7/DMA\_DDONE2}}$	E21	O	BV <sub>DD</sub>	1
$\overline{\text{LWE0/LBS0/LSDDQM}}[0]$	G25	O	BV <sub>DD</sub>	5, 9
$\overline{\text{LWE1/LBS1/LSDDQM}}[1]$	C23	O	BV <sub>DD</sub>	5, 9
$\overline{\text{LWE2/LBS2/LSDDQM}}[2]$	J21	O	BV <sub>DD</sub>	5, 9
$\overline{\text{LWE3/LBS3/LSDDQM}}[3]$	A24	O	BV <sub>DD</sub>	5, 9
LALE	H24	O	BV <sub>DD</sub>	5, 8, 9
LBCTL	G27	O	BV <sub>DD</sub>	5, 8, 9
LGPL0/LSDA10	F23	O	BV <sub>DD</sub>	5, 9
LGPL1/ $\overline{\text{LSDWE}}$	G22	O	BV <sub>DD</sub>	5, 9
LGPL2/ $\overline{\text{LOE/LSDRAS}}$	B27	O	BV <sub>DD</sub>	5, 8, 9
LGPL3/ $\overline{\text{LSDCAS}}$	F24	O	BV <sub>DD</sub>	5, 9
LGPL4/ $\overline{\text{LGT\AA/LUPWAIT/LPBSE}}$	H23	I/O	BV <sub>DD</sub>	—
LGPL5	E26	O	BV <sub>DD</sub>	5, 9
LCKE	E24	O	BV <sub>DD</sub>	—
LCLK[0:2]	E23, D24, H22	O	BV <sub>DD</sub>	—
LSYNC_IN	F27	I	BV <sub>DD</sub>	—
LSYNC_OUT	F28	O	BV <sub>DD</sub>	—
<b>DMA</b>				
$\overline{\text{DMA\_DACK}}[0:1]$	AD3, AE1	O	OV <sub>DD</sub>	5, 9, 107
$\overline{\text{DMA\_DREQ}}[0:1]$	AD4, AE2	I	OV <sub>DD</sub>	—
$\overline{\text{DMA\_DDONE}}[0:1]$	AD2, AD1	O	OV <sub>DD</sub>	—
<b>Programmable Interrupt Controller</b>				
$\overline{\text{UDE}}$	AH16	I	OV <sub>DD</sub>	—
$\overline{\text{MCP}}$	AG19	I	OV <sub>DD</sub>	—

Table 72. MPC8547E Pinout Listing (continued)

Signal	Package Pin Number	Pin Type	Power Supply	Notes
IRQ[0:7]	AG23, AF18, AE18, AF20, AG18, AF17, AH24, AE20	I	OV <sub>DD</sub>	—
IRQ[8]	AF19	I	OV <sub>DD</sub>	—
IRQ[9]/DMA_DREQ3	AF21	I	OV <sub>DD</sub>	1
IRQ[10]/DMA_DACK3	AE19	I/O	OV <sub>DD</sub>	1
IRQ[11]/DMA_DDONE3	AD20	I/O	OV <sub>DD</sub>	1
IRQ_OUT	AD18	O	OV <sub>DD</sub>	2, 4
<b>Ethernet Management Interface</b>				
EC_MDC	AB9	O	OV <sub>DD</sub>	5, 9
EC_MDIO	AC8	I/O	OV <sub>DD</sub>	—
<b>Gigabit Reference Clock</b>				
EC_GTX_CLK125	V11	I	LV <sub>DD</sub>	—
<b>Three-Speed Ethernet Controller (Gigabit Ethernet 1)</b>				
TSEC1_RXD[7:0]	R5, U1, R3, U2, V3, V1, T3, T2	I	LV <sub>DD</sub>	—
TSEC1_TXD[7:0]	T10, V7, U10, U5, U4, V6, T5, T8	O	LV <sub>DD</sub>	5, 9
TSEC1_COL	R4	I	LV <sub>DD</sub>	—
TSEC1_CRS	V5	I/O	LV <sub>DD</sub>	20
TSEC1_GTX_CLK	U7	O	LV <sub>DD</sub>	—
TSEC1_RX_CLK	U3	I	LV <sub>DD</sub>	—
TSEC1_RX_DV	V2	I	LV <sub>DD</sub>	—
TSEC1_RX_ER	T1	I	LV <sub>DD</sub>	—
TSEC1_TX_CLK	T6	I	LV <sub>DD</sub>	—
TSEC1_TX_EN	U9	O	LV <sub>DD</sub>	30
TSEC1_TX_ER	T7	O	LV <sub>DD</sub>	—
<b>Three-Speed Ethernet Controller (Gigabit Ethernet 2)</b>				
TSEC2_RXD[7:0]	P2, R2, N1, N2, P3, M2, M1, N3	I	LV <sub>DD</sub>	—
TSEC2_TXD[7:0]	N9, N10, P8, N7, R9, N5, R8, N6	O	LV <sub>DD</sub>	5, 9, 33
TSEC2_COL	P1	I	LV <sub>DD</sub>	—
TSEC2_CRS	R6	I/O	LV <sub>DD</sub>	20
TSEC2_GTX_CLK	P6	O	LV <sub>DD</sub>	—
TSEC2_RX_CLK	N4	I	LV <sub>DD</sub>	—
TSEC2_RX_DV	P5	I	LV <sub>DD</sub>	—
TSEC2_RX_ER	R1	I	LV <sub>DD</sub>	—
TSEC2_TX_CLK	P10	I	LV <sub>DD</sub>	—
TSEC2_TX_EN	P7	O	LV <sub>DD</sub>	30

Table 72. MPC8547E Pinout Listing (continued)

Signal	Package Pin Number	Pin Type	Power Supply	Notes
TSEC2_TX_ER	R10	O	LV <sub>DD</sub>	5, 9, 33
<b>Three-Speed Ethernet Controller (Gigabit Ethernet 3)</b>				
TSEC3_TXD[3:0]	V8, W10, Y10, W7	O	TV <sub>DD</sub>	5, 9, 29
TSEC3_RXD[3:0]	Y1, W3, W5, W4	I	TV <sub>DD</sub>	—
TSEC3_GTX_CLK	W8	O	TV <sub>DD</sub>	—
TSEC3_RX_CLK	W2	I	TV <sub>DD</sub>	—
TSEC3_RX_DV	W1	I	TV <sub>DD</sub>	—
TSEC3_RX_ER	Y2	I	TV <sub>DD</sub>	—
TSEC3_TX_CLK	V10	I	TV <sub>DD</sub>	—
TSEC3_TX_EN	V9	O	TV <sub>DD</sub>	30
<b>Three-Speed Ethernet Controller (Gigabit Ethernet 4)</b>				
TSEC4_TXD[3:0]/TSEC3_TXD[7:4]	AB8, Y7, AA7, Y8	O	TV <sub>DD</sub>	1, 5, 9, 29
TSEC4_RXD[3:0]/TSEC3_RXD[7:4]	AA1, Y3, AA2, AA4	I	TV <sub>DD</sub>	1
TSEC4_GTX_CLK	AA5	O	TV <sub>DD</sub>	
TSEC4_RX_CLK/TSEC3_COL	Y5	I	TV <sub>DD</sub>	1
TSEC4_RX_DV/TSEC3_CRS	AA3	I/O	TV <sub>DD</sub>	1, 31
TSEC4_TX_EN/TSEC3_TX_ER	AB6	O	TV <sub>DD</sub>	1, 30
<b>DUART</b>				
UART_CTS[0:1]	AB3, AC5	I	OV <sub>DD</sub>	—
UART_RTS[0:1]	AC6, AD7	O	OV <sub>DD</sub>	—
UART_SIN[0:1]	AB5, AC7	I	OV <sub>DD</sub>	—
UART_SOUT[0:1]	AB7, AD8	O	OV <sub>DD</sub>	—
<b>I<sup>2</sup>C Interface</b>				
IIC1_SCL	AG22	I/O	OV <sub>DD</sub>	4, 27
IIC1_SDA	AG21	I/O	OV <sub>DD</sub>	4, 27
IIC2_SCL	AG15	I/O	OV <sub>DD</sub>	4, 27
IIC2_SDA	AG14	I/O	OV <sub>DD</sub>	4, 27
<b>SerDes</b>				
SD_RX[0:3]	M28, N26, P28, R26	I	XV <sub>DD</sub>	—
SD_RX[0:3]	M27, N25, P27, R25	I	XV <sub>DD</sub>	—
SD_TX[0:3]	M22, N20, P22, R20	O	XV <sub>DD</sub>	—
SD_TX[0:3]	M23, N21, P23, R21	O	XV <sub>DD</sub>	—
Reserved	W26, Y28, AA26, AB28	—	—	40
Reserved	W25, Y27, AA25, AB27	—	—	40

Table 72. MPC8547E Pinout Listing (continued)

Signal	Package Pin Number	Pin Type	Power Supply	Notes
Reserved	U20, V22, W20, Y22	—	—	15
Reserved	U21, V23, W21, Y23	—	—	15
SD_PLL_TPD	U28	O	XV <sub>DD</sub>	24
SD_REF_CLK	T28	I	XV <sub>DD</sub>	—
$\overline{\text{SD\_REF\_CLK}}$	T27	I	XV <sub>DD</sub>	—
Reserved	AC1, AC3	—	—	2
Reserved	M26, V28	—	—	32
Reserved	M25, V27	—	—	34
Reserved	M20, M21, T22, T23	—	—	38
<b>General-Purpose Output</b>				
GPOUT[24:31]	K26, K25, H27, G28, H25, J26, K24, K23	O	BV <sub>DD</sub>	—
<b>System Control</b>				
$\overline{\text{HRESET}}$	AG17	I	OV <sub>DD</sub>	—
$\overline{\text{HRESET\_REQ}}$	AG16	O	OV <sub>DD</sub>	29
$\overline{\text{SRESET}}$	AG20	I	OV <sub>DD</sub>	—
$\overline{\text{CKSTP\_IN}}$	AA9	I	OV <sub>DD</sub>	—
$\overline{\text{CKSTP\_OUT}}$	AA8	O	OV <sub>DD</sub>	2, 4
<b>Debug</b>				
TRIG_IN	AB2	I	OV <sub>DD</sub>	—
TRIG_OUT/READY/QUIESCE	AB1	O	OV <sub>DD</sub>	6, 9, 19, 29
MSRCID[0:1]	AE4, AG2	O	OV <sub>DD</sub>	5, 6, 9
MSRCID[2:4]	AF3, AF1, AF2	O	OV <sub>DD</sub>	6, 19, 29
MDVAL	AE5	O	OV <sub>DD</sub>	6
CLK_OUT	AE21	O	OV <sub>DD</sub>	11
<b>Clock</b>				
RTC	AF16	I	OV <sub>DD</sub>	—
SYSCLK	AH17	I	OV <sub>DD</sub>	—
<b>JTAG</b>				
TCK	AG28	I	OV <sub>DD</sub>	—
TDI	AH28	I	OV <sub>DD</sub>	12
TDO	AF28	O	OV <sub>DD</sub>	—
TMS	AH27	I	OV <sub>DD</sub>	12
$\overline{\text{TRST}}$	AH23	I	OV <sub>DD</sub>	12

Table 72. MPC8547E Pinout Listing (continued)

Signal	Package Pin Number	Pin Type	Power Supply	Notes
<b>DFT</b>				
L1_TSTCLK	AC25	I	OV <sub>DD</sub>	25
L2_TSTCLK	AE22	I	OV <sub>DD</sub>	25
$\overline{\text{LSSD\_MODE}}$	AH20	I	OV <sub>DD</sub>	25
$\overline{\text{TEST\_SEL}}$	AH14	I	OV <sub>DD</sub>	25
<b>Thermal Management</b>				
THERM0	AG1	—	—	14
THERM1	AH1	—	—	14
<b>Power Management</b>				
ASLEEP	AH18	O	OV <sub>DD</sub>	9, 19, 29
<b>Power and Ground Signals</b>				
GND	A11, B7, B24, C1, C3, C5, C12, C15, C26, D8, D11, D16, D20, D22, E1, E5, E9, E12, E15, E17, F4, F26, G12, G15, G18, G21, G24, H2, H6, H8, H28, J4, J12, J15, J17, J27, K7, K9, K11, K27, L3, L5, L12, L16, N11, N13, N15, N17, N19, P4, P9, P12, P14, P16, P18, R11, R13, R15, R17, R19, T4, T12, T14, T16, T18, U8, U11, U13, U15, U17, U19, V4, V12, V18, W6, W19, Y4, Y9, Y11, Y19, AA6, AA14, AA17, AA22, AA23, AB4, AC2, AC11, AC19, AC26, AD5, AD9, AD22, AE3, AE14, AF6, AF10, AF13, AG8, AG27, K28, L24, L26, N24, N27, P25, R28, T24, T26, U24, V25, W28, Y24, Y26, AA24, AA27, AB25, AC28, L21, L23, N22, P20, R23, T21, U22, V20, W23, Y21, U27	—	—	—
OV <sub>DD</sub>	V16, W11, W14, Y18, AA13, AA21, AB11, AB17, AB24, AC4, AC9, AC21, AD6, AD13, AD17, AD19, AE10, AE8, AE24, AF4, AF12, AF22, AF27, AG26	Power for PCI and other standards (3.3 V)	OV <sub>DD</sub>	—
LV <sub>DD</sub>	N8, R7, T9, U6	Power for TSEC1 and TSEC2 (2.5 V, 3.3 V)	LV <sub>DD</sub>	—
TV <sub>DD</sub>	W9, Y6	Power for TSEC3 and TSEC4 (2.5 V, 3.3 V)	TV <sub>DD</sub>	—
GV <sub>DD</sub>	B3, B11, C7, C9, C14, C17, D4, D6, D10, D15, E2, E8, E11, E18, F5, F12, F16, G3, G7, G9, G11, H5, H12, H15, H17, J10, K3, K12, K16, K18, L6, M4, M8, M13	Power for DDR1 and DDR2 DRAM I/O voltage (1.8 V, 2.5 V)	GV <sub>DD</sub>	—

Table 72. MPC8547E Pinout Listing (continued)

Signal	Package Pin Number	Pin Type	Power Supply	Notes
BV <sub>DD</sub>	C21, C24, C27, E20, E25, G19, G23, H26, J20	Power for local bus (1.8 V, 2.5 V, 3.3 V)	BV <sub>DD</sub>	—
V <sub>DD</sub>	M19, N12, N14, N16, N18, P11, P13, P15, P17, P19, R12, R14, R16, R18, T11, T13, T15, T17, T19, U12, U14, U16, U18, V17, V19	Power for core (1.1 V)	V <sub>DD</sub>	—
SV <sub>DD</sub>	L25, L27, M24, N28, P24, P26, R24, R27, T25, V24, V26, W24, W27, Y25, AA28, AC27	Core power for SerDes transceivers (1.1 V)	SV <sub>DD</sub>	—
XV <sub>DD</sub>	L20, L22, N23, P21, R22, T20, U23, V21, W22, Y20	Pad Power for SerDes transceivers (1.1 V)	XV <sub>DD</sub>	—
AVDD_LBIU	J28	Power for local bus PLL (1.1 V)	—	26
AVDD_PCI1	AH21	Power for PCI1 PLL (1.1 V)	—	26
AVDD_PCI2	AH22	Power for PCI2 PLL (1.1 V)	—	26
AVDD_CORE	AH15	Power for e500 PLL (1.1 V)	—	26
AVDD_PLAT	AH19	Power for CCB PLL (1.1 V)	—	26
AVDD_SRDS	U25	Power for SRDSPLL (1.1 V)	—	26
SENSEVDD	M14	O	V <sub>DD</sub>	13
SENSEVSS	M16	—	—	13
<b>Analog Signals</b>				
MVREF	A18	I Reference voltage signal for DDR	MVREF	—
SD_IMP_CAL_RX	L28	I	200 Ω to GND	—
SD_IMP_CAL_TX	AB26	I	100 Ω to GND	—



Table 72. MPC8547E Pinout Listing (continued)

Signal	Package Pin Number	Pin Type	Power Supply	Notes
SD_PLL_TPA	U26	O	—	24

**Note:** All note references in this table use the same numbers as those for Table 71. See Table 71 for the meanings of these notes.

Table 73 provides the pin-out listing for the MPC8545E 783 FC-PBGA package.

### NOTE

All note references in the following table use the same numbers as those for Table 71. See Table 71 for the meanings of these notes.

Table 73. MPC8545E Pinout Listing

Signal	Package Pin Number	Pin Type	Power Supply	Notes
<b>PCI1 and PCI2 (One 64-Bit or Two 32-Bit)</b>				
PCI1_AD[63:32]/PCI2_AD[31:0]	AB14, AC15, AA15, Y16, W16, AB16, AC16, AA16, AE17, AA18, W18, AC17, AD16, AE16, Y17, AC18, AB18, AA19, AB19, AB21, AA20, AC20, AB20, AB22, AC22, AD21, AB23, AF23, AD23, AE23, AC23, AC24	I/O	OV <sub>DD</sub>	17
PCI1_AD[31:0]	AH6, AE7, AF7, AG7, AH7, AF8, AH8, AE9, AH9, AC10, AB10, AD10, AG10, AA10, AH10, AA11, AB12, AE12, AG12, AH12, AB13, AA12, AC13, AE13, Y14, W13, AG13, V14, AH13, AC14, Y15, AB15	I/O	OV <sub>DD</sub>	17
PCI1_C_BE[7:4]/PCI2_C_BE[3:0]	AF15, AD14, AE15, AD15	I/O	OV <sub>DD</sub>	17
PCI1_C_BE[3:0]	AF9, AD11, Y12, Y13	I/O	OV <sub>DD</sub>	17
PCI1_PAR64/PCI2_PAR	W15	I/O	OV <sub>DD</sub>	—
PCI1_GNT[4:1]	AG6, AE6, AF5, AH5	O	OV <sub>DD</sub>	5, 9, 35
PCI1_GNT0	AG5	I/O	OV <sub>DD</sub>	—
PCI1_IRDY	AF11	I/O	OV <sub>DD</sub>	2
PCI1_PAR	AD12	I/O	OV <sub>DD</sub>	—
PCI1_PERR	AC12	I/O	OV <sub>DD</sub>	2
PCI1_SERR	V13	I/O	OV <sub>DD</sub>	2, 4
PCI1_STOP	W12	I/O	OV <sub>DD</sub>	2
PCI1_TRDY	AG11	I/O	OV <sub>DD</sub>	2
PCI1_REQ[4:1]	AH2, AG4, AG3, AH4	I	OV <sub>DD</sub>	—
PCI1_REQ0	AH3	I/O	OV <sub>DD</sub>	—
PCI1_CLK	AH26	I	OV <sub>DD</sub>	39
PCI1_DEVSEL	AH11	I/O	OV <sub>DD</sub>	2

Table 73. MPC8545E Pinout Listing (continued)

Signal	Package Pin Number	Pin Type	Power Supply	Notes
$\overline{\text{PCI1\_FRAME}}$	AE11	I/O	$\text{OV}_{\text{DD}}$	2
PCI1_IDSEL	AG9	I	$\text{OV}_{\text{DD}}$	—
$\overline{\text{PCI1\_REQ64/PCI2\_FRAME}}$	AF14	I/O	$\text{OV}_{\text{DD}}$	2, 5, 10
$\overline{\text{PCI1\_ACK64/PCI2\_DEVSEL}}$	V15	I/O	$\text{OV}_{\text{DD}}$	2
PCI2_CLK	AE28	I	$\text{OV}_{\text{DD}}$	39
$\overline{\text{PCI2\_IRDY}}$	AD26	I/O	$\text{OV}_{\text{DD}}$	2
$\overline{\text{PCI2\_PERR}}$	AD25	I/O	$\text{OV}_{\text{DD}}$	2
$\overline{\text{PCI2\_GNT}}[4:1]$	AE26, AG24, AF25, AE25	O	$\text{OV}_{\text{DD}}$	5, 9, 35
$\overline{\text{PCI2\_GNT0}}$	AG25	I/O	$\text{OV}_{\text{DD}}$	—
$\overline{\text{PCI2\_SERR}}$	AD24	I/O	$\text{OV}_{\text{DD}}$	2,4
$\overline{\text{PCI2\_STOP}}$	AF24	I/O	$\text{OV}_{\text{DD}}$	2
$\overline{\text{PCI2\_TRDY}}$	AD27	I/O	$\text{OV}_{\text{DD}}$	2
$\overline{\text{PCI2\_REQ}}[4:1]$	AD28, AE27, W17, AF26	I	$\text{OV}_{\text{DD}}$	—
$\overline{\text{PCI2\_REQ0}}$	AH25	I/O	$\text{OV}_{\text{DD}}$	—
<b>DDR SDRAM Memory Interface</b>				
MDQ[0:63]	L18, J18, K14, L13, L19, M18, L15, L14, A17, B17, A13, B12, C18, B18, B13, A12, H18, F18, J14, F15, K19, J19, H16, K15, D17, G16, K13, D14, D18, F17, F14, E14, A7, A6, D5, A4, C8, D7, B5, B4, A2, B1, D1, E4, A3, B2, D2, E3, F3, G4, J5, K5, F6, G5, J6, K4, J1, K2, M5, M3, J3, J2, L1, M6	I/O	$\text{GV}_{\text{DD}}$	—
MECC[0:7]	H13, F13, F11, C11, J13, G13, D12, M12	I/O	$\text{GV}_{\text{DD}}$	—
MDM[0:8]	M17, C16, K17, E16, B6, C4, H4, K1, E13	O	$\text{GV}_{\text{DD}}$	—
MDQS[0:8]	M15, A16, G17, G14, A5, D3, H1, L2, C13	I/O	$\text{GV}_{\text{DD}}$	—
$\overline{\text{MDQS}}[0:8]$	L17, B16, J16, H14, C6, C2, H3, L4, D13	I/O	$\text{GV}_{\text{DD}}$	—
MA[0:15]	A8, F9, D9, B9, A9, L10, M10, H10, K10, G10, B8, E10, B10, G6, A10, L11	O	$\text{GV}_{\text{DD}}$	—
MBA[0:2]	F7, J7, M11	O	$\text{GV}_{\text{DD}}$	—
$\overline{\text{MWE}}$	E7	O	$\text{GV}_{\text{DD}}$	—
$\overline{\text{MCAS}}$	H7	O	$\text{GV}_{\text{DD}}$	—
$\overline{\text{MRAS}}$	L8	O	$\text{GV}_{\text{DD}}$	—
MCKE[0:3]	F10, C10, J11, H11	O	$\text{GV}_{\text{DD}}$	11
$\overline{\text{MCS}}[0:3]$	K8, J8, G8, F8	O	$\text{GV}_{\text{DD}}$	—
MCK[0:5]	H9, B15, G2, M9, A14, F1	O	$\text{GV}_{\text{DD}}$	—
$\overline{\text{MCK}}[0:5]$	J9, A15, G1, L9, B14, F2	O	$\text{GV}_{\text{DD}}$	—
MODT[0:3]	E6, K6, L7, M7	O	$\text{GV}_{\text{DD}}$	—

Table 73. MPC8545E Pinout Listing (continued)

Signal	Package Pin Number	Pin Type	Power Supply	Notes
MDIC[0:1]	A19, B19	I/O	GV <sub>DD</sub>	36
<b>Local Bus Controller Interface</b>				
LAD[0:31]	E27, B20, H19, F25, A20, C19, E28, J23, A25, K22, B28, D27, D19, J22, K20, D28, D25, B25, E22, F22, F21, C25, C22, B23, F20, A23, A22, E19, A21, D21, F19, B21	I/O	BV <sub>DD</sub>	—
LDP[0:3]	K21, C28, B26, B22	I/O	BV <sub>DD</sub>	—
LA[27]	H21	O	BV <sub>DD</sub>	5, 9
LA[28:31]	H20, A27, D26, A28	O	BV <sub>DD</sub>	5, 7, 9
$\overline{\text{LCS}}[0:4]$	J25, C20, J24, G26, A26	O	BV <sub>DD</sub>	—
$\overline{\text{LCS5/DMA\_DREQ2}}$	D23	I/O	BV <sub>DD</sub>	1
$\overline{\text{LCS6/DMA\_DACK2}}$	G20	O	BV <sub>DD</sub>	1
$\overline{\text{LCS7/DMA\_DDONE2}}$	E21	O	BV <sub>DD</sub>	1
$\overline{\text{LWE0/LBS0/LSDDQM}}[0]$	G25	O	BV <sub>DD</sub>	5, 9
$\overline{\text{LWE1/LBS1/LSDDQM}}[1]$	C23	O	BV <sub>DD</sub>	5, 9
$\overline{\text{LWE2/LBS2/LSDDQM}}[2]$	J21	O	BV <sub>DD</sub>	5, 9
$\overline{\text{LWE3/LBS3/LSDDQM}}[3]$	A24	O	BV <sub>DD</sub>	5, 9
LALE	H24	O	BV <sub>DD</sub>	5, 8, 9
LBCTL	G27	O	BV <sub>DD</sub>	5, 8, 9
LGPL0/LSDA10	F23	O	BV <sub>DD</sub>	5, 9
LGPL1/ $\overline{\text{LSDWE}}$	G22	O	BV <sub>DD</sub>	5, 9
LGPL2/ $\overline{\text{LOE/LSDRAS}}$	B27	O	BV <sub>DD</sub>	5, 8, 9
LGPL3/ $\overline{\text{LSDCAS}}$	F24	O	BV <sub>DD</sub>	5, 9
LGPL4/ $\overline{\text{LGTA/LUPWAIT/LPBSE}}$	H23	I/O	BV <sub>DD</sub>	—
LGPL5	E26	O	BV <sub>DD</sub>	5, 9
LCKE	E24	O	BV <sub>DD</sub>	—
LCLK[0:2]	E23, D24, H22	O	BV <sub>DD</sub>	—
LSYNC_IN	F27	I	BV <sub>DD</sub>	—
LSYNC_OUT	F28	O	BV <sub>DD</sub>	—
<b>DMA</b>				
$\overline{\text{DMA\_DACK}}[0:1]$	AD3, AE1	O	OV <sub>DD</sub>	5, 9, 106
$\overline{\text{DMA\_DREQ}}[0:1]$	AD4, AE2	I	OV <sub>DD</sub>	—
$\overline{\text{DMA\_DDONE}}[0:1]$	AD2, AD1	O	OV <sub>DD</sub>	—
<b>Programmable Interrupt Controller</b>				

Table 73. MPC8545E Pinout Listing (continued)

Signal	Package Pin Number	Pin Type	Power Supply	Notes
$\overline{UDE}$	AH16	I	$OV_{DD}$	—
$\overline{MCP}$	AG19	I	$OV_{DD}$	—
IRQ[0:7]	AG23, AF18, AE18, AF20, AG18, AF17, AH24, AE20	I	$OV_{DD}$	—
IRQ[8]	AF19	I	$OV_{DD}$	—
IRQ[9]/ $\overline{DMA\_DREQ3}$	AF21	I	$OV_{DD}$	1
IRQ[10]/ $\overline{DMA\_DACK3}$	AE19	I/O	$OV_{DD}$	1
IRQ[11]/ $\overline{DMA\_DDONE3}$	AD20	I/O	$OV_{DD}$	1
$\overline{IRQ\_OUT}$	AD18	O	$OV_{DD}$	2, 4
<b>Ethernet Management Interface</b>				
EC_MDC	AB9	O	$OV_{DD}$	5, 9
EC_MDIO	AC8	I/O	$OV_{DD}$	—
<b>Gigabit Reference Clock</b>				
EC_GTX_CLK125	V11	I	$LV_{DD}$	—
<b>Three-Speed Ethernet Controller (Gigabit Ethernet 1)</b>				
TSEC1_RXD[7:0]	R5, U1, R3, U2, V3, V1, T3, T2	I	$LV_{DD}$	—
TSEC1_TXD[7:0]	T10, V7, U10, U5, U4, V6, T5, T8	O	$LV_{DD}$	5, 9
TSEC1_COL	R4	I	$LV_{DD}$	—
TSEC1_CRS	V5	I/O	$LV_{DD}$	20
TSEC1_GTX_CLK	U7	O	$LV_{DD}$	—
TSEC1_RX_CLK	U3	I	$LV_{DD}$	—
TSEC1_RX_DV	V2	I	$LV_{DD}$	—
TSEC1_RX_ER	T1	I	$LV_{DD}$	—
TSEC1_TX_CLK	T6	I	$LV_{DD}$	—
TSEC1_TX_EN	U9	O	$LV_{DD}$	30
TSEC1_TX_ER	T7	O	$LV_{DD}$	—
GPIN[0:7]	P2, R2, N1, N2, P3, M2, M1, N3	I	$LV_{DD}$	103
GPOUT[0:5]	N9, N10, P8, N7, R9, N5	O	$LV_{DD}$	—
cfg_dram_type0/GPOUT6	R8	O	$LV_{DD}$	5, 9
GPOUT7	N6	O	$LV_{DD}$	—
Reserved	P1	—	—	104
Reserved	R6	—	—	104
Reserved	P6	—	—	15
Reserved	N4	—	—	105

Table 73. MPC8545E Pinout Listing (continued)

Signal	Package Pin Number	Pin Type	Power Supply	Notes
FIFO1_RXC2	P5	I	LV <sub>DD</sub>	104
Reserved	R1	—	—	104
Reserved	P10	—	—	105
FIFO1_TXC2	P7	O	LV <sub>DD</sub>	15
cfg_dram_type1	R10	I	LV <sub>DD</sub>	5
<b>Three-Speed Ethernet Controller (Gigabit Ethernet 3)</b>				
TSEC3_TXD[3:0]	V8, W10, Y10, W7	O	TV <sub>DD</sub>	5, 9, 29
TSEC3_RXD[3:0]	Y1, W3, W5, W4	I	TV <sub>DD</sub>	—
TSEC3_GTX_CLK	W8	O	TV <sub>DD</sub>	—
TSEC3_RX_CLK	W2	I	TV <sub>DD</sub>	—
TSEC3_RX_DV	W1	I	TV <sub>DD</sub>	—
TSEC3_RX_ER	Y2	I	TV <sub>DD</sub>	—
TSEC3_TX_CLK	V10	I	TV <sub>DD</sub>	—
TSEC3_TX_EN	V9	O	TV <sub>DD</sub>	30
TSEC3_TXD[7:4]	AB8, Y7, AA7, Y8	O	TV <sub>DD</sub>	5, 9, 29
TSEC3_RXD[7:4]	AA1, Y3, AA2, AA4	I	TV <sub>DD</sub>	—
Reserved	AA5	—	—	15
TSEC3_COL	Y5	I	TV <sub>DD</sub>	—
TSEC3_CRS	AA3	I/O	TV <sub>DD</sub>	31
TSEC3_TX_ER	AB6	O	TV <sub>DD</sub>	—
<b>DUART</b>				
$\overline{\text{UART\_CTS}}[0:1]$	AB3, AC5	I	OV <sub>DD</sub>	—
$\overline{\text{UART\_RTS}}[0:1]$	AC6, AD7	O	OV <sub>DD</sub>	—
UART_SIN[0:1]	AB5, AC7	I	OV <sub>DD</sub>	—
UART_SOUT[0:1]	AB7, AD8	O	OV <sub>DD</sub>	—
<b>I<sup>2</sup>C interface</b>				
IIC1_SCL	AG22	I/O	OV <sub>DD</sub>	4, 27
IIC1_SDA	AG21	I/O	OV <sub>DD</sub>	4, 27
IIC2_SCL	AG15	I/O	OV <sub>DD</sub>	4, 27
IIC2_SDA	AG14	I/O	OV <sub>DD</sub>	4, 27
<b>SerDes</b>				
SD_RX[0:3]	M28, N26, P28, R26	I	XV <sub>DD</sub>	—
$\overline{\text{SD\_RX}}[0:3]$	M27, N25, P27, R25	I	XV <sub>DD</sub>	—
SD_TX[0:3]	M22, N20, P22, R20	O	XV <sub>DD</sub>	—

Table 73. MPC8545E Pinout Listing (continued)

Signal	Package Pin Number	Pin Type	Power Supply	Notes
SD_TX[0:3]	M23, N21, P23, R21	O	XV <sub>DD</sub>	—
Reserved	W26, Y28, AA26, AB28	—	—	40
Reserved	W25, Y27, AA25, AB27	—	—	40
Reserved	U20, V22, W20, Y22	—	—	15
Reserved	U21, V23, W21, Y23	—	—	15
SD_PLL_TPD	U28	O	XV <sub>DD</sub>	24
SD_REF_CLK	T28	I	XV <sub>DD</sub>	—
$\overline{\text{SD\_REF\_CLK}}$	T27	I	XV <sub>DD</sub>	—
Reserved	AC1, AC3	—	—	2
Reserved	M26, V28	—	—	32
Reserved	M25, V27	—	—	34
Reserved	M20, M21, T22, T23	—	—	38
<b>General-Purpose Output</b>				
GPOUT[24:31]	K26, K25, H27, G28, H25, J26, K24, K23	O	BV <sub>DD</sub>	—
<b>System Control</b>				
$\overline{\text{HRESET}}$	AG17	I	OV <sub>DD</sub>	—
$\overline{\text{HRESET\_REQ}}$	AG16	O	OV <sub>DD</sub>	29
$\overline{\text{SRESET}}$	AG20	I	OV <sub>DD</sub>	—
$\overline{\text{CKSTP\_IN}}$	AA9	I	OV <sub>DD</sub>	—
$\overline{\text{CKSTP\_OUT}}$	AA8	O	OV <sub>DD</sub>	2, 4
<b>Debug</b>				
TRIG_IN	AB2	I	OV <sub>DD</sub>	—
TRIG_OUT/READY/QUIESCE	AB1	O	OV <sub>DD</sub>	6, 9, 19, 29
MSRCID[0:1]	AE4, AG2	O	OV <sub>DD</sub>	5, 6, 9
MSRCID[2:4]	AF3, AF1, AF2	O	OV <sub>DD</sub>	6, 19, 29
MDVAL	AE5	O	OV <sub>DD</sub>	6
CLK_OUT	AE21	O	OV <sub>DD</sub>	11
<b>Clock</b>				
RTC	AF16	I	OV <sub>DD</sub>	—
SYSCLK	AH17	I	OV <sub>DD</sub>	—
<b>JTAG</b>				
TCK	AG28	I	OV <sub>DD</sub>	—
TDI	AH28	I	OV <sub>DD</sub>	12

Table 73. MPC8545E Pinout Listing (continued)

Signal	Package Pin Number	Pin Type	Power Supply	Notes
TDO	AF28	O	OV <sub>DD</sub>	—
TMS	AH27	I	OV <sub>DD</sub>	12
$\overline{\text{TRST}}$	AH23	I	OV <sub>DD</sub>	12
<b>DFT</b>				
L1_TSTCLK	AC25	I	OV <sub>DD</sub>	25
L2_TSTCLK	AE22	I	OV <sub>DD</sub>	25
$\overline{\text{LSSD\_MODE}}$	AH20	I	OV <sub>DD</sub>	25
$\overline{\text{TEST\_SEL}}$	AH14	I	OV <sub>DD</sub>	25
<b>Thermal Management</b>				
THERM0	AG1	—	—	14
THERM1	AH1	—	—	14
<b>Power Management</b>				
ASLEEP	AH18	O	OV <sub>DD</sub>	9, 19, 29
<b>Power and Ground Signals</b>				
GND	A11, B7, B24, C1, C3, C5, C12, C15, C26, D8, D11, D16, D20, D22, E1, E5, E9, E12, E15, E17, F4, F26, G12, G15, G18, G21, G24, H2, H6, H8, H28, J4, J12, J15, J17, J27, K7, K9, K11, K27, L3, L5, L12, L16, N11, N13, N15, N17, N19, P4, P9, P12, P14, P16, P18, R11, R13, R15, R17, R19, T4, T12, T14, T16, T18, U8, U11, U13, U15, U17, U19, V4, V12, V18, W6, W19, Y4, Y9, Y11, Y19, AA6, AA14, AA17, AA22, AA23, AB4, AC2, AC11, AC19, AC26, AD5, AD9, AD22, AE3, AE14, AF6, AF10, AF13, AG8, AG27, K28, L24, L26, N24, N27, P25, R28, T24, T26, U24, V25, W28, Y24, Y26, AA24, AA27, AB25, AC28, L21, L23, N22, P20, R23, T21, U22, V20, W23, Y21, U27	—	—	—
OV <sub>DD</sub>	V16, W11, W14, Y18, AA13, AA21, AB11, AB17, AB24, AC4, AC9, AC21, AD6, AD13, AD17, AD19, AE10, AE8, AE24, AF4, AF12, AF22, AF27, AG26	Power for PCI and other standards (3.3 V)	OV <sub>DD</sub>	—
LV <sub>DD</sub>	N8, R7, T9, U6	Power for TSEC1 and TSEC2 (2.5 V, 3.3 V)	LV <sub>DD</sub>	—
TV <sub>DD</sub>	W9, Y6	Power for TSEC3 and TSEC4 (2.5 V, 3.3 V)	TV <sub>DD</sub>	—

Table 73. MPC8545E Pinout Listing (continued)

Signal	Package Pin Number	Pin Type	Power Supply	Notes
GV <sub>DD</sub>	B3, B11, C7, C9, C14, C17, D4, D6, D10, D15, E2, E8, E11, E18, F5, F12, F16, G3, G7, G9, G11, H5, H12, H15, H17, J10, K3, K12, K16, K18, L6, M4, M8, M13	Power for DDR1 and DDR2 DRAM I/O voltage (1.8 V, 2.5 V)	GV <sub>DD</sub>	—
BV <sub>DD</sub>	C21, C24, C27, E20, E25, G19, G23, H26, J20	Power for local bus (1.8 V, 2.5 V, 3.3 V)	BV <sub>DD</sub>	—
V <sub>DD</sub>	M19, N12, N14, N16, N18, P11, P13, P15, P17, P19, R12, R14, R16, R18, T11, T13, T15, T17, T19, U12, U14, U16, U18, V17, V19	Power for core (1.1 V)	V <sub>DD</sub>	—
SV <sub>DD</sub>	L25, L27, M24, N28, P24, P26, R24, R27, T25, V24, V26, W24, W27, Y25, AA28, AC27	Core power for SerDes transceivers (1.1 V)	SV <sub>DD</sub>	—
XV <sub>DD</sub>	L20, L22, N23, P21, R22, T20, U23, V21, W22, Y20	Pad power for SerDes transceivers (1.1 V)	XV <sub>DD</sub>	—
AVDD_LBIU	J28	Power for local bus PLL (1.1 V)	—	26
AVDD_PCI1	AH21	Power for PCI1 PLL (1.1 V)	—	26
AVDD_PCI2	AH22	Power for PCI2 PLL (1.1 V)	—	26
AVDD_CORE	AH15	Power for e500 PLL (1.1 V)	—	26
AVDD_PLAT	AH19	Power for CCB PLL (1.1 V)	—	26
AVDD_SRDS	U25	Power for SRDSPLL (1.1 V)	—	26
SENSEVDD	M14	O	V <sub>DD</sub>	13
SENSEVSS	M16	—	—	13
<b>Analog Signals</b>				
MVREF	A18	I Reference voltage signal for DDR	MVREF	—



Table 73. MPC8545E Pinout Listing (continued)

Signal	Package Pin Number	Pin Type	Power Supply	Notes
SD_IMP_CAL_RX	L28	I	200 $\Omega$ to GND	—
SD_IMP_CAL_TX	AB26	I	100 $\Omega$ to GND	—
SD_PLL_TPA	U26	O	—	24

**Note:** All note references in this table use the same numbers as those for Table 71. See Table 71 for the meanings of these notes.

Table 74 provides the pin-out listing for the MPC8543E 783 FC-PBGA package.

### NOTE

All note references in the following table use the same numbers as those for Table 71. See Table 71 for the meanings of these notes.

Table 74. MPC8543E Pinout Listing

Signal	Package Pin Number	Pin Type	Power Supply	Notes
<b>PCI1 (One 32-Bit)</b>				
Reserved	AB14, AC15, AA15, Y16, W16, AB16, AC16, AA16, AE17, AA18, W18, AC17, AD16, AE16, Y17, AC18,	—	—	110
GPOUT[8:15]	AB18, AA19, AB19, AB21, AA20, AC20, AB20, AB22	O	OV <sub>DD</sub>	—
GPIN[8:15]	AC22, AD21, AB23, AF23, AD23, AE23, AC23, AC24	I	OV <sub>DD</sub>	111
PCI1_AD[31:0]	AH6, AE7, AF7, AG7, AH7, AF8, AH8, AE9, AH9, AC10, AB10, AD10, AG10, AA10, AH10, AA11, AB12, AE12, AG12, AH12, AB13, AA12, AC13, AE13, Y14, W13, AG13, V14, AH13, AC14, Y15, AB15	I/O	OV <sub>DD</sub>	17
Reserved	AF15, AD14, AE15, AD15	—	—	110
PCI1_C_BE[3:0]	AF9, AD11, Y12, Y13	I/O	OV <sub>DD</sub>	17
Reserved	W15	—	—	110
PCI1_GNT[4:1]	AG6, AE6, AF5, AH5	O	OV <sub>DD</sub>	5, 9, 35
PCI1_GNT0	AG5	I/O	OV <sub>DD</sub>	—
PCI1_IRDY	AF11	I/O	OV <sub>DD</sub>	2
PCI1_PAR	AD12	I/O	OV <sub>DD</sub>	—
PCI1_PERR	AC12	I/O	OV <sub>DD</sub>	2
PCI1_SERR	V13	I/O	OV <sub>DD</sub>	2, 4
PCI1_STOP	W12	I/O	OV <sub>DD</sub>	2

Table 74. MPC8543E Pinout Listing (continued)

Signal	Package Pin Number	Pin Type	Power Supply	Notes
$\overline{\text{PCI1\_TRDY}}$	AG11	I/O	$\text{OV}_{\text{DD}}$	2
$\overline{\text{PCI1\_REQ}}[4:1]$	AH2, AG4, AG3, AH4	I	$\text{OV}_{\text{DD}}$	—
$\overline{\text{PCI1\_REQ0}}$	AH3	I/O	$\text{OV}_{\text{DD}}$	—
$\text{PCI1\_CLK}$	AH26	I	$\text{OV}_{\text{DD}}$	39
$\overline{\text{PCI1\_DEVSEL}}$	AH11	I/O	$\text{OV}_{\text{DD}}$	2
$\overline{\text{PCI1\_FRAME}}$	AE11	I/O	$\text{OV}_{\text{DD}}$	2
$\text{PCI1\_IDSEL}$	AG9	I	$\text{OV}_{\text{DD}}$	—
cfg_pci1_width	AF14	I/O	$\text{OV}_{\text{DD}}$	112
Reserved	V15	—	—	110
Reserved	AE28	—	—	2
Reserved	AD26	—	—	110
Reserved	AD25	—	—	110
Reserved	AE26	—	—	110
cfg_pci1_clk	AG24	I	$\text{OV}_{\text{DD}}$	5
Reserved	AF25	—	—	101
Reserved	AE25	—	—	110
Reserved	AG25	—	—	110
Reserved	AD24	—	—	110
Reserved	AF24	—	—	110
Reserved	AD27	—	—	110
Reserved	AD28, AE27, W17, AF26	—	—	110
Reserved	AH25	—	—	110
<b>DDR SDRAM Memory Interface</b>				
MDQ[0:63]	L18, J18, K14, L13, L19, M18, L15, L14, A17, B17, A13, B12, C18, B18, B13, A12, H18, F18, J14, F15, K19, J19, H16, K15, D17, G16, K13, D14, D18, F17, F14, E14, A7, A6, D5, A4, C8, D7, B5, B4, A2, B1, D1, E4, A3, B2, D2, E3, F3, G4, J5, K5, F6, G5, J6, K4, J1, K2, M5, M3, J3, J2, L1, M6	I/O	$\text{GV}_{\text{DD}}$	—
MECC[0:7]	H13, F13, F11, C11, J13, G13, D12, M12	I/O	$\text{GV}_{\text{DD}}$	—
MDM[0:8]	M17, C16, K17, E16, B6, C4, H4, K1, E13	O	$\text{GV}_{\text{DD}}$	—
MDQS[0:8]	M15, A16, G17, G14, A5, D3, H1, L2, C13	I/O	$\text{GV}_{\text{DD}}$	—
$\overline{\text{MDQS}}[0:8]$	L17, B16, J16, H14, C6, C2, H3, L4, D13	I/O	$\text{GV}_{\text{DD}}$	—
MA[0:15]	A8, F9, D9, B9, A9, L10, M10, H10, K10, G10, B8, E10, B10, G6, A10, L11	O	$\text{GV}_{\text{DD}}$	—
MBA[0:2]	F7, J7, M11	O	$\text{GV}_{\text{DD}}$	—

Table 74. MPC8543E Pinout Listing (continued)

Signal	Package Pin Number	Pin Type	Power Supply	Notes
$\overline{MWE}$	E7	O	GV <sub>DD</sub>	—
$\overline{MCAS}$	H7	O	GV <sub>DD</sub>	—
$\overline{MRAS}$	L8	O	GV <sub>DD</sub>	—
MCKE[0:3]	F10, C10, J11, H11	O	GV <sub>DD</sub>	11
$\overline{MCS}$ [0:3]	K8, J8, G8, F8	O	GV <sub>DD</sub>	—
MCK[0:5]	H9, B15, G2, M9, A14, F1	O	GV <sub>DD</sub>	—
$\overline{MCK}$ [0:5]	J9, A15, G1, L9, B14, F2	O	GV <sub>DD</sub>	—
MODT[0:3]	E6, K6, L7, M7	O	GV <sub>DD</sub>	—
MDIC[0:1]	A19, B19	I/O	GV <sub>DD</sub>	36
<b>Local Bus Controller Interface</b>				
LAD[0:31]	E27, B20, H19, F25, A20, C19, E28, J23, A25, K22, B28, D27, D19, J22, K20, D28, D25, B25, E22, F22, F21, C25, C22, B23, F20, A23, A22, E19, A21, D21, F19, B21	I/O	BV <sub>DD</sub>	—
LDP[0:3]	K21, C28, B26, B22	I/O	BV <sub>DD</sub>	—
LA[27]	H21	O	BV <sub>DD</sub>	5, 9
LA[28:31]	H20, A27, D26, A28	O	BV <sub>DD</sub>	5, 7, 9
$\overline{LCS}$ [0:4]	J25, C20, J24, G26, A26	O	BV <sub>DD</sub>	—
$\overline{LCS5/DMA\_DREQ2}$	D23	I/O	BV <sub>DD</sub>	1
$\overline{LCS6/DMA\_DACK2}$	G20	O	BV <sub>DD</sub>	1
$\overline{LCS7/DMA\_DDONE2}$	E21	O	BV <sub>DD</sub>	1
$\overline{LWE0/LBS0/LSDDQM}[0]$	G25	O	BV <sub>DD</sub>	5, 9
$\overline{LWE1/LBS1/LSDDQM}[1]$	C23	O	BV <sub>DD</sub>	5, 9
$\overline{LWE2/LBS2/LSDDQM}[2]$	J21	O	BV <sub>DD</sub>	5, 9
$\overline{LWE3/LBS3/LSDDQM}[3]$	A24	O	BV <sub>DD</sub>	5, 9
LALE	H24	O	BV <sub>DD</sub>	5, 8, 9
LBCTL	G27	O	BV <sub>DD</sub>	5, 8, 9
LGPL0/LSDA10	F23	O	BV <sub>DD</sub>	5, 9
LGPL1/LSDWE	G22	O	BV <sub>DD</sub>	5, 9
LGPL2/LOE/LSDRAS	B27	O	BV <sub>DD</sub>	5, 8, 9
LGPL3/LSDCAS	F24	O	BV <sub>DD</sub>	5, 9
LGPL4/LGTA/LUPWAIT/LPBSE	H23	I/O	BV <sub>DD</sub>	—
LGPL5	E26	O	BV <sub>DD</sub>	5, 9
LCKE	E24	O	BV <sub>DD</sub>	—
LCLK[0:2]	E23, D24, H22	O	BV <sub>DD</sub>	—

Table 74. MPC8543E Pinout Listing (continued)

Signal	Package Pin Number	Pin Type	Power Supply	Notes
LSYNC_IN	F27	I	BV <sub>DD</sub>	—
LSYNC_OUT	F28	O	BV <sub>DD</sub>	—
<b>DMA</b>				
$\overline{\text{DMA\_DACK}}[0:1]$	AD3, AE1	O	OV <sub>DD</sub>	5, 9, 108
$\overline{\text{DMA\_DREQ}}[0:1]$	AD4, AE2	I	OV <sub>DD</sub>	—
$\overline{\text{DMA\_DDONE}}[0:1]$	AD2, AD1	O	OV <sub>DD</sub>	—
<b>Programmable Interrupt Controller</b>				
$\overline{\text{UDE}}$	AH16	I	OV <sub>DD</sub>	—
$\overline{\text{MCP}}$	AG19	I	OV <sub>DD</sub>	—
IRQ[0:7]	AG23, AF18, AE18, AF20, AG18, AF17, AH24, AE20	I	OV <sub>DD</sub>	—
IRQ[8]	AF19	I	OV <sub>DD</sub>	—
IRQ[9]/DMA_DREQ $\overline{3}$	AF21	I	OV <sub>DD</sub>	1
IRQ[10]/DMA_DACK $\overline{3}$	AE19	I/O	OV <sub>DD</sub>	1
IRQ[11]/DMA_DDONE $\overline{3}$	AD20	I/O	OV <sub>DD</sub>	1
$\overline{\text{IRQ\_OUT}}$	AD18	O	OV <sub>DD</sub>	2, 4
<b>Ethernet Management Interface</b>				
EC_MDC	AB9	O	OV <sub>DD</sub>	5, 9
EC_MDIO	AC8	I/O	OV <sub>DD</sub>	—
<b>Gigabit Reference Clock</b>				
EC_GTX_CLK125	V11	I	LV <sub>DD</sub>	—
<b>Three-Speed Ethernet Controller (Gigabit Ethernet 1)</b>				
TSEC1_RXD[7:0]	R5, U1, R3, U2, V3, V1, T3, T2	I	LV <sub>DD</sub>	—
TSEC1_TXD[7:0]	T10, V7, U10, U5, U4, V6, T5, T8	O	LV <sub>DD</sub>	5, 9
TSEC1_COL	R4	I	LV <sub>DD</sub>	—
TSEC1_CRS	V5	I/O	LV <sub>DD</sub>	20
TSEC1_GTX_CLK	U7	O	LV <sub>DD</sub>	—
TSEC1_RX_CLK	U3	I	LV <sub>DD</sub>	—
TSEC1_RX_DV	V2	I	LV <sub>DD</sub>	—
TSEC1_RX_ER	T1	I	LV <sub>DD</sub>	—
TSEC1_TX_CLK	T6	I	LV <sub>DD</sub>	—
TSEC1_TX_EN	U9	O	LV <sub>DD</sub>	30
TSEC1_TX_ER	T7	O	LV <sub>DD</sub>	—
GPIN[0:7]	P2, R2, N1, N2, P3, M2, M1, N3	I	LV <sub>DD</sub>	103

Table 74. MPC8543E Pinout Listing (continued)

Signal	Package Pin Number	Pin Type	Power Supply	Notes
GPOUT[0:5]	N9, N10, P8, N7, R9, N5	O	LV <sub>DD</sub>	—
cfg_dram_type0/GPOUT6	R8	O	LV <sub>DD</sub>	5, 9
GPOUT7	N6	O	LV <sub>DD</sub>	—
Reserved	P1	—	—	104
Reserved	R6	—	—	104
Reserved	P6	—	—	15
Reserved	N4	—	—	105
FIFO1_RXC2	P5	I	LV <sub>DD</sub>	104
Reserved	R1	—	—	104
Reserved	P10	—	—	105
FIFO1_TXC2	P7	O	LV <sub>DD</sub>	15
cfg_dram_type1	R10	O	LV <sub>DD</sub>	5, 9
<b>Three-Speed Ethernet Controller (Gigabit Ethernet 3)</b>				
TSEC3_TXD[3:0]	V8, W10, Y10, W7	O	TV <sub>DD</sub>	5, 9, 29
TSEC3_RXD[3:0]	Y1, W3, W5, W4	I	TV <sub>DD</sub>	—
TSEC3_GTX_CLK	W8	O	TV <sub>DD</sub>	—
TSEC3_RX_CLK	W2	I	TV <sub>DD</sub>	—
TSEC3_RX_DV	W1	I	TV <sub>DD</sub>	—
TSEC3_RX_ER	Y2	I	TV <sub>DD</sub>	—
TSEC3_TX_CLK	V10	I	TV <sub>DD</sub>	—
TSEC3_TX_EN	V9	O	TV <sub>DD</sub>	30
TSEC3_TXD[7:4]	AB8, Y7, AA7, Y8	O	TV <sub>DD</sub>	5, 9, 29
TSEC3_RXD[7:4]	AA1, Y3, AA2, AA4	I	TV <sub>DD</sub>	—
Reserved	AA5	—	—	15
TSEC3_COL	Y5	I	TV <sub>DD</sub>	—
TSEC3_CRS	AA3	I/O	TV <sub>DD</sub>	31
TSEC3_TX_ER	AB6	O	TV <sub>DD</sub>	—
<b>DUART</b>				
$\overline{\text{UART\_CTS}}[0:1]$	AB3, AC5	I	OV <sub>DD</sub>	—
$\overline{\text{UART\_RTS}}[0:1]$	AC6, AD7	O	OV <sub>DD</sub>	—
UART_SIN[0:1]	AB5, AC7	I	OV <sub>DD</sub>	—
UART_SOUT[0:1]	AB7, AD8	O	OV <sub>DD</sub>	—
I <sup>2</sup> C interface				
IIC1_SCL	AG22	I/O	OV <sub>DD</sub>	4, 27

Table 74. MPC8543E Pinout Listing (continued)

Signal	Package Pin Number	Pin Type	Power Supply	Notes
IIC1_SDA	AG21	I/O	OV <sub>DD</sub>	4, 27
IIC2_SCL	AG15	I/O	OV <sub>DD</sub>	4, 27
IIC2_SDA	AG14	I/O	OV <sub>DD</sub>	4, 27
<b>SerDes</b>				
SD_RX[0:7]	M28, N26, P28, R26, W26, Y28, AA26, AB28	I	XV <sub>DD</sub>	—
$\overline{\text{SD\_RX}}[0:7]$	M27, N25, P27, R25, W25, Y27, AA25, AB27	I	XV <sub>DD</sub>	—
SD_TX[0:7]	M22, N20, P22, R20, U20, V22, W20, Y22	O	XV <sub>DD</sub>	—
$\overline{\text{SD\_TX}}[0:7]$	M23, N21, P23, R21, U21, V23, W21, Y23	O	XV <sub>DD</sub>	—
SD_PLL_TPD	U28	O	XV <sub>DD</sub>	24
SD_REF_CLK	T28	I	XV <sub>DD</sub>	—
$\overline{\text{SD\_REF\_CLK}}$	T27	I	XV <sub>DD</sub>	—
Reserved	AC1, AC3	—	—	2
Reserved	M26, V28	—	—	32
Reserved	M25, V27	—	—	34
Reserved	M20, M21, T22, T23	—	—	38
<b>General-Purpose Output</b>				
GPOUT[24:31]	K26, K25, H27, G28, H25, J26, K24, K23	O	BV <sub>DD</sub>	—
<b>System Control</b>				
$\overline{\text{HRESET}}$	AG17	I	OV <sub>DD</sub>	—
$\overline{\text{HRESET\_REQ}}$	AG16	O	OV <sub>DD</sub>	29
$\overline{\text{SRESET}}$	AG20	I	OV <sub>DD</sub>	—
$\overline{\text{CKSTP\_IN}}$	AA9	I	OV <sub>DD</sub>	—
$\overline{\text{CKSTP\_OUT}}$	AA8	O	OV <sub>DD</sub>	2, 4
<b>Debug</b>				
TRIG_IN	AB2	I	OV <sub>DD</sub>	—
TRIG_OUT/READY/QUIESCE	AB1	O	OV <sub>DD</sub>	6, 9, 19, 29
MSRCID[0:1]	AE4, AG2	O	OV <sub>DD</sub>	5, 6, 9
MSRCID[2:4]	AF3, AF1, AF2	O	OV <sub>DD</sub>	6, 19, 29
MDVAL	AE5	O	OV <sub>DD</sub>	6
CLK_OUT	AE21	O	OV <sub>DD</sub>	11
<b>Clock</b>				
RTC	AF16	I	OV <sub>DD</sub>	—
SYSClk	AH17	I	OV <sub>DD</sub>	—

Table 74. MPC8543E Pinout Listing (continued)

Signal	Package Pin Number	Pin Type	Power Supply	Notes
<b>JTAG</b>				
TCK	AG28	I	OV <sub>DD</sub>	—
TDI	AH28	I	OV <sub>DD</sub>	12
TDO	AF28	O	OV <sub>DD</sub>	—
TMS	AH27	I	OV <sub>DD</sub>	12
$\overline{\text{TRST}}$	AH23	I	OV <sub>DD</sub>	12
<b>DFT</b>				
L1_TSTCLK	AC25	I	OV <sub>DD</sub>	25
L2_TSTCLK	AE22	I	OV <sub>DD</sub>	25
$\overline{\text{LSSD\_MODE}}$	AH20	I	OV <sub>DD</sub>	25
TEST_SEL	AH14	I	OV <sub>DD</sub>	109
<b>Thermal Management</b>				
THERM0	AG1	—	—	14
THERM1	AH1	—	—	14
<b>Power Management</b>				
ASLEEP	AH18	O	OV <sub>DD</sub>	9, 19, 29
<b>Power and Ground Signals</b>				
GND	A11, B7, B24, C1, C3, C5, C12, C15, C26, D8, D11, D16, D20, D22, E1, E5, E9, E12, E15, E17, F4, F26, G12, G15, G18, G21, G24, H2, H6, H8, H28, J4, J12, J15, J17, J27, K7, K9, K11, K27, L3, L5, L12, L16, N11, N13, N15, N17, N19, P4, P9, P12, P14, P16, P18, R11, R13, R15, R17, R19, T4, T12, T14, T16, T18, U8, U11, U13, U15, U17, U19, V4, V12, V18, W6, W19, Y4, Y9, Y11, Y19, AA6, AA14, AA17, AA22, AA23, AB4, AC2, AC11, AC19, AC26, AD5, AD9, AD22, AE3, AE14, AF6, AF10, AF13, AG8, AG27, K28, L24, L26, N24, N27, P25, R28, T24, T26, U24, V25, W28, Y24, Y26, AA24, AA27, AB25, AC28, L21, L23, N22, P20, R23, T21, U22, V20, W23, Y21, U27	—	—	—
OV <sub>DD</sub>	V16, W11, W14, Y18, AA13, AA21, AB11, AB17, AB24, AC4, AC9, AC21, AD6, AD13, AD17, AD19, AE10, AE8, AE24, AF4, AF12, AF22, AF27, AG26	Power for PCI and other standards (3.3 V)	OV <sub>DD</sub>	—
LV <sub>DD</sub>	N8, R7, T9, U6	Power for TSEC1 and TSEC2 (2.5 V, 3.3 V)	LV <sub>DD</sub>	—

Table 74. MPC8543E Pinout Listing (continued)

Signal	Package Pin Number	Pin Type	Power Supply	Notes
TV <sub>DD</sub>	W9, Y6	Power for TSEC3 and TSEC4 (2.5 V, 3.3 V)	TV <sub>DD</sub>	—
GV <sub>DD</sub>	B3, B11, C7, C9, C14, C17, D4, D6, D10, D15, E2, E8, E11, E18, F5, F12, F16, G3, G7, G9, G11, H5, H12, H15, H17, J10, K3, K12, K16, K18, L6, M4, M8, M13	Power for DDR1 and DDR2 DRAM I/O voltage (1.8 V, 2.5 V)	GV <sub>DD</sub>	—
BV <sub>DD</sub>	C21, C24, C27, E20, E25, G19, G23, H26, J20	Power for local bus (1.8 V, 2.5 V, 3.3 V)	BV <sub>DD</sub>	—
V <sub>DD</sub>	M19, N12, N14, N16, N18, P11, P13, P15, P17, P19, R12, R14, R16, R18, T11, T13, T15, T17, T19, U12, U14, U16, U18, V17, V19	Power for core (1.1 V)	V <sub>DD</sub>	—
SV <sub>DD</sub>	L25, L27, M24, N28, P24, P26, R24, R27, T25, V24, V26, W24, W27, Y25, AA28, AC27	Core power for SerDes transceivers (1.1 V)	SV <sub>DD</sub>	—
XV <sub>DD</sub>	L20, L22, N23, P21, R22, T20, U23, V21, W22, Y20	Pad power for SerDes transceivers (1.1 V)	XV <sub>DD</sub>	—
AVDD_LBIU	J28	Power for local bus PLL (1.1 V)	—	26
AVDD_PCI1	AH21	Power for PCI1 PLL (1.1 V)	—	26
AVDD_PCI2	AH22	Power for PCI2 PLL (1.1 V)	—	26
AVDD_CORE	AH15	Power for e500 PLL (1.1 V)	—	26
AVDD_PLAT	AH19	Power for CCB PLL (1.1 V)	—	26
AVDD_SRDS	U25	Power for SRDSPLL (1.1 V)	—	26
SENSEVDD	M14	O	V <sub>DD</sub>	13



Table 74. MPC8543E Pinout Listing (continued)

Signal	Package Pin Number	Pin Type	Power Supply	Notes
SENSEVSS	M16	—	—	13
<b>Analog Signals</b>				
MVREF	A18	I Reference voltage signal for DDR	MVREF	—
SD_IMP_CAL_RX	L28	I	200 $\Omega$ ( $\pm 1\%$ ) to GND	—
SD_IMP_CAL_TX	AB26	I	100 $\Omega$ ( $\pm 1\%$ ) to GND	—
SD_PLL_TPA	U26	O	AVDD_SRDS	24

**Note:** All note references in this table use the same numbers as those for [Table 71](#). See [Table 71](#) for the meanings of these notes.

## 20 Clocking

This section describes the PLL configuration of the device. Note that the platform clock is identical to the core complex bus (CCB) clock.

### 20.1 Clock Ranges

Table 75 through Table 77 provide the clocking specifications for the processor cores and Table 78, through Table 80 provide the clocking specifications for the memory bus.

**Table 75. Processor Core Clocking Specifications (MPC8548E and MPC8547E)**

Characteristic	Maximum Processor Core Frequency						Unit	Notes
	1000 MHz		1200 MHz		1333 MHz			
	Min	Max	Min	Max	Min	Max		
e500 core processor frequency	800	1000	800	1200	800	1333	MHz	1, 2

**Notes:**

- Caution:** The CCB to SYSCLK ratio and e500 core to CCB ratio settings must be chosen such that the resulting SYSCLK frequency, e500 (core) frequency, and CCB frequency do not exceed their respective maximum or minimum operating frequencies. See Section 20.2, "CCB/SYSCLK PLL Ratio," and Section 20.3, "e500 Core PLL Ratio," for ratio settings.
- The minimum e500 core frequency is based on the minimum platform frequency of 333 MHz.

**Table 76. Processor Core Clocking Specifications (MPC8545E)**

Characteristic	Maximum Processor Core Frequency						Unit	Notes
	800 MHz		1000 MHz		1200 MHz			
	Min	Max	Min	Max	Min	Max		
e500 core processor frequency	800	800	800	1000	800	1200	MHz	1, 2

**Notes:**

- Caution:** The CCB to SYSCLK ratio and e500 core to CCB ratio settings must be chosen such that the resulting SYSCLK frequency, e500 (core) frequency, and CCB frequency do not exceed their respective maximum or minimum operating frequencies. See Section 20.2, "CCB/SYSCLK PLL Ratio," and Section 20.3, "e500 Core PLL Ratio," for ratio settings.
- The minimum e500 core frequency is based on the minimum platform frequency of 333 MHz.

**Table 77. Processor Core Clocking Specifications (MPC8543E)**

Characteristic	Maximum Processor Core Frequency				Unit	Notes
	800 MHz		1000 MHz			
	Min	Max	Min	Max		
e500 core processor frequency	800	800	800	1000	MHz	1, 2

**Notes:**

- Caution:** The CCB to SYSCLK ratio and e500 core to CCB ratio settings must be chosen such that the resulting SYSCLK frequency, e500 (core) frequency, and CCB frequency do not exceed their respective maximum or minimum operating frequencies. See [Section 20.2, “CCB/SYSCLK PLL Ratio,”](#) and [Section 20.3, “e500 Core PLL Ratio,”](#) for ratio settings.
- The minimum e500 core frequency is based on the minimum platform frequency of 333 MHz.

**Table 78. Memory Bus Clocking Specifications (MPC8548E and MPC8547E)**

Characteristic	Maximum Processor Core Frequency		Unit	Notes
	1000, 1200, 1333 MHz			
	Min	Max		
Memory bus clock speed	166	266	MHz	1, 2

**Notes:**

- Caution:** The CCB clock to SYSCLK ratio and e500 core to CCB clock ratio settings must be chosen such that the resulting SYSCLK frequency, e500 (core) frequency, and CCB clock frequency do not exceed their respective maximum or minimum operating frequencies. See [Section 20.2, “CCB/SYSCLK PLL Ratio,”](#) and [Section 20.3, “e500 Core PLL Ratio,”](#) for ratio settings.
- The memory bus speed is half of the DDR/DDR2 data rate, hence, half of the platform clock frequency.

**Table 79. Memory Bus Clocking Specifications (MPC8545E)**

Characteristic	Maximum Processor Core Frequency		Unit	Notes
	800, 1000, 1200 MHz			
	Min	Max		
Memory bus clock speed	166	200	MHz	1, 2

**Notes:**

- Caution:** The CCB clock to SYSCLK ratio and e500 core to CCB clock ratio settings must be chosen such that the resulting SYSCLK frequency, e500 (core) frequency, and CCB clock frequency do not exceed their respective maximum or minimum operating frequencies. See [Section 20.2, “CCB/SYSCLK PLL Ratio,”](#) and [Section 20.3, “e500 Core PLL Ratio,”](#) for ratio settings.
- The memory bus speed is half of the DDR/DDR2 data rate, hence, half of the platform clock frequency.

**Table 80. Memory Bus Clocking Specifications (MPC8543E)**

Characteristic	Maximum Processor Core Frequency		Unit	Notes
	800, 1000 MHz			
	Min	Max		
Memory bus clock speed	166	200	MHz	1, 2

**Notes:**

- Caution:** The CCB clock to SYSCLK ratio and e500 core to CCB clock ratio settings must be chosen such that the resulting SYSCLK frequency, e500 (core) frequency, and CCB clock frequency do not exceed their respective maximum or minimum operating frequencies. See [Section 20.2, “CCB/SYSCLK PLL Ratio,”](#) and [Section 20.3, “e500 Core PLL Ratio,”](#) for ratio settings.
- The memory bus speed is half of the DDR/DDR2 data rate, hence, half of the platform clock frequency.

## 20.2 CCB/SYSCLK PLL Ratio

The CCB clock is the clock that drives the e500 core complex bus (CCB), and is also called the platform clock. The frequency of the CCB is set using the following reset signals, as shown in [Table 81](#):

- SYSCLK input signal
- Binary value on LA[28:31] at power up

Note that there is no default for this PLL ratio; these signals must be pulled to the desired values. Also note that the DDR data rate is the determining factor in selecting the CCB bus frequency, since the CCB frequency must equal the DDR data rate.

For specifications on the PCI\_CLK, see the *PCI 2.2 Specification*.

**Table 81. CCB Clock Ratio**

Binary Value of LA[28:31] Signals	CCB:SYSCLK Ratio	Binary Value of LA[28:31] Signals	CCB:SYSCLK Ratio
0000	16:1	1000	8:1
0001	Reserved	1001	9:1
0010	2:1	1010	10:1
0011	3:1	1011	Reserved
0100	4:1	1100	12:1
0101	5:1	1101	20:1
0110	6:1	1110	Reserved
0111	Reserved	1111	Reserved

## 20.3 e500 Core PLL Ratio

This table describes the clock ratio between the e500 core complex bus (CCB) and the e500 core clock. This ratio is determined by the binary value of LBCTL, LALE, and LGPL2 at power up, as shown in this table.

**Table 82. e500 Core to CCB Clock Ratio**

Binary Value of LBCTL, LALE, LGPL2 Signals	e500 core:CCB Clock Ratio	Binary Value of LBCTL, LALE, LGPL2 Signals	e500 core:CCB Clock Ratio
000	4:1	100	2:1
001	9:2	101	5:2
010	Reserved	110	3:1
011	3:2	111	7:2

## 20.4 Frequency Options

**Table 83** This table shows the expected frequency values for the platform frequency when using a CCB clock to SYSCLK ratio in comparison to the memory bus clock speed.

**Table 83. Frequency Options of SYSCLK with Respect to Memory Bus Speeds**

CCB to SYSCLK Ratio	SYSCLK (MHz)								
	16.66	25	33.33	41.66	66.66	83	100	111	133.33
	Platform/CCB Frequency (MHz)								
2									
3								333	400
4						333	400	445	533
5					333	415	500		
6					400	500			
8				333	533				
9				375					
10			333	417					
12			400	500					
16		400	533						
20	333	500							

**Note:** Due to errata Gen 13 the max sys clk frequency must not exceed 100 MHz if the core clk frequency is below 1200 MHz.

## 21 Thermal

This section describes the thermal specifications of the device.

### 21.1 Thermal for Version 2.0 Silicon HiCTE FC-CBGA with Full Lid

This section describes the thermal specifications for the HiCTE FC-CBGA package for revision 2.0 silicon.

This table shows the package thermal characteristics.

**Table 84. Package Thermal Characteristics for HiCTE FC-CBGA**

Characteristic	JEDEC Board	Symbol	Value	Unit	Notes
Die junction-to-ambient (natural convection)	Single-layer board (1s)	$R_{\theta JA}$	17	°C/W	1, 2
Die junction-to-ambient (natural convection)	Four-layer board (2s2p)	$R_{\theta JA}$	12	°C/W	1, 2
Die junction-to-ambient (200 ft/min)	Single-layer board (1s)	$R_{\theta JA}$	11	°C/W	1, 2
Die junction-to-ambient (200 ft/min)	Four-layer board (2s2p)	$R_{\theta JA}$	8	°C/W	1, 2
Die junction-to-board	N/A	$R_{\theta JB}$	3	°C/W	3
Die junction-to-case	N/A	$R_{\theta JC}$	0.8	°C/W	4

**Notes:**

1. Junction temperature is a function of die size, on-chip power dissipation, package thermal resistance, mounting site (board) temperature, ambient temperature, airflow, power dissipation of other components on the board, and board thermal resistance.
2. Per JEDEC JESD51-6 with the board (JESD51-7) horizontal.
3. Thermal resistance between the die and the printed-circuit board per JEDEC JESD51-8. Board temperature is measured on the top surface of the board near the package.
4. Thermal resistance between the die and the case top surface as measured by the cold plate method (MIL SPEC-883 Method 1012.1). The cold plate temperature is used for the case temperature, measured value includes the thermal resistance of the interface layer.

### 21.2 Thermal for Version 2.1.1, 2.1.2, and 2.1.3 Silicon FC-PBGA with Full Lid and Version 3.1.x Silicon with Stamped Lid

This section describes the thermal specifications for the FC-PBGA package for revision 2.1.1, 2.1.2, and 3.0 silicon.

This table shows the package thermal characteristics.

**Table 85. Package Thermal Characteristics for FC-PBGA**

Characteristic	JEDEC Board	Symbol	Value	Unit	Notes
Die junction-to-ambient (natural convection)	Single-layer board (1s)	$R_{\theta JA}$	18	°C/W	1, 2
Die junction-to-ambient (natural convection)	Four-layer board (2s2p)	$R_{\theta JA}$	13	°C/W	1, 2
Die junction-to-ambient (200 ft/min)	Single-layer board (1s)	$R_{\theta JA}$	13	°C/W	1, 2
Die junction-to-ambient (200 ft/min)	Four-layer board (2s2p)	$R_{\theta JA}$	9	°C/W	1, 2

Table 85. Package Thermal Characteristics for FC-PBGA (continued)

Characteristic	JEDEC Board	Symbol	Value	Unit	Notes
Die junction-to-board	N/A	$R_{\theta JB}$	5	°C/W	3
Die junction-to-case	N/A	$R_{\theta JC}$	0.8	°C/W	4

**Notes:**

1. Junction temperature is a function of die size, on-chip power dissipation, package thermal resistance, mounting site (board) temperature, ambient temperature, airflow, power dissipation of other components on the board, and board thermal resistance.
2. Per JEDEC JESD51-6 with the board (JESD51-7) horizontal.
3. Thermal resistance between the die and the printed circuit board per JEDEC JESD51-8. Board temperature is measured on the top surface of the board near the package.
4. Thermal resistance between the die and the case top surface as measured by the cold plate method (MIL SPEC-883 Method 1012.1). The cold plate temperature is used for the case temperature, measured value includes the thermal resistance of the interface layer.

## 21.3 Heat Sink Solution

Every system application has different conditions that the thermal management solution must solve. As such, providing a recommended heat sink has not been found to be very useful. When a heat sink is chosen, give special consideration to the mounting technique. Mounting the heat sink to the printed-circuit board is the recommended procedure using a maximum of 10 lbs force (45 Newtons) perpendicular to the package and board. Clipping the heat sink to the package is not recommended.

## 22 System Design Information

This section provides electrical design recommendations for successful application of the device.

### 22.1 System Clocking

This device includes five PLLs, as follows:

1. The platform PLL generates the platform clock from the externally supplied SYSCLK input. The frequency ratio between the platform and SYSCLK is selected using the platform PLL ratio configuration bits as described in [Section 20.2, “CCB/SYSCLK PLL Ratio.”](#)
2. The e500 core PLL generates the core clock as a slave to the platform clock. The frequency ratio between the e500 core clock and the platform clock is selected using the e500 PLL ratio configuration bits as described in [Section 20.3, “e500 Core PLL Ratio.”](#)
3. The PCI PLL generates the clocking for the PCI bus.
4. The local bus PLL generates the clock for the local bus.
5. There is a PLL for the SerDes block.

### 22.2 PLL Power Supply Filtering

Each of the PLLs listed above is provided with power through independent power supply pins ( $AV_{DD\_PLAT}$ ,  $AV_{DD\_CORE}$ ,  $AV_{DD\_PCI}$ ,  $AV_{DD\_LBIU}$ , and  $AV_{DD\_SRDS}$ , respectively). The  $AV_{DD}$

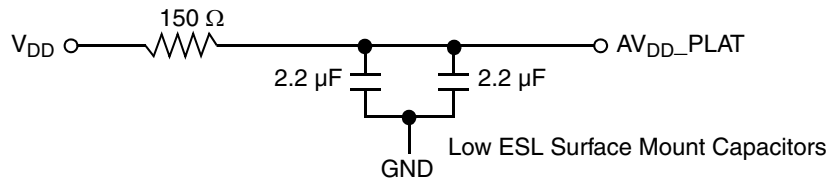
level must always be equivalent to  $V_{DD}$ , and preferably these voltages are derived directly from  $V_{DD}$  through a low frequency filter scheme such as the following.

There are a number of ways to reliably provide power to the PLLs, but the recommended solution is to provide independent filter circuits per PLL power supply as illustrated in [Figure 57](#), one to each of the  $AV_{DD}$  pins. By providing independent filters to each PLL the opportunity to cause noise injection from one PLL to the other is reduced.

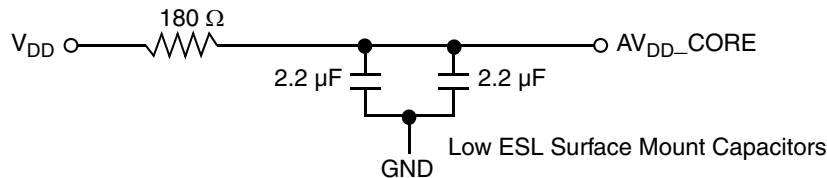
This circuit is intended to filter noise in the PLLs resonant frequency range from a 500 kHz to 10 MHz range. It must be built with surface mount capacitors with minimum Effective Series Inductance (ESL). Consistent with the recommendations of Dr. Howard Johnson in *High Speed Digital Design: A Handbook of Black Magic* (Prentice Hall, 1993), multiple small capacitors of equal value are recommended over a single large value capacitor.

Each circuit must be placed as close as possible to the specific  $AV_{DD}$  pin being supplied to minimize noise coupled from nearby circuits. It must be routed directly from the capacitors to the  $AV_{DD}$  pin, which is on the periphery of the footprint, without the inductance of vias.

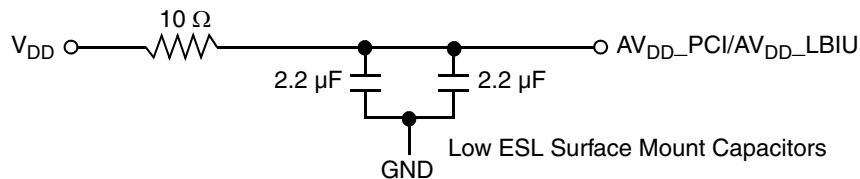
[Figure 57](#) through [Figure 59](#) shows the PLL power supply filter circuits.



**Figure 57. PLL Power Supply Filter Circuit with PLAT Pins**



**Figure 58. PLL Power Supply Filter Circuit with CORE Pins**

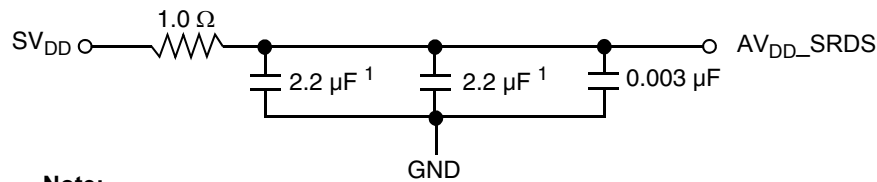


**Figure 59. PLL Power Supply Filter Circuit with PCI/LBIU Pins**

The  $AV_{DD\_SRDS}$  signal provides power for the analog portions of the SerDes PLL. To ensure stability of the internal clock, the power supplied to the PLL is filtered using a circuit similar to the one shown in following figure. For maximum effectiveness, the filter circuit is placed as closely as possible to the  $AV_{DD\_SRDS}$  ball to ensure it filters out as much noise as possible. The ground connection must be near the  $AV_{DD\_SRDS}$  ball. The 0.003- $\mu\text{F}$  capacitor is closest to the ball, followed by the two 2.2  $\mu\text{F}$  capacitors, and finally the 1  $\Omega$  resistor to the board supply plane. The capacitors are connected from  $AV_{DD\_SRDS}$  to



the ground plane. Use ceramic chip capacitors with the highest possible self-resonant frequency. All traces must be kept short, wide and direct.

**Note:**

1. An 0805 sized capacitor is recommended for system initial bring-up.

**Figure 60. SerDes PLL Power Supply Filter**

Note the following:

- $AV_{DD\_SRDS}$  must be a filtered version of  $SV_{DD}$ .
- Signals on the SerDes interface are fed from the  $XV_{DD}$  power plane.

## 22.3 Decoupling Recommendations

Due to large address and data buses, and high operating frequencies, the device can generate transient power surges and high frequency noise in its power supply, especially while driving large capacitive loads. This noise must be prevented from reaching other components in the device system, and the device itself requires a clean, tightly regulated source of power. Therefore, it is recommended that the system designer place at least one decoupling capacitor at each  $V_{DD}$ ,  $TV_{DD}$ ,  $BV_{DD}$ ,  $OV_{DD}$ ,  $GV_{DD}$ , and  $LV_{DD}$  pin of the device. These decoupling capacitors must receive their power from separate  $V_{DD}$ ,  $TV_{DD}$ ,  $BV_{DD}$ ,  $OV_{DD}$ ,  $GV_{DD}$ ,  $LV_{DD}$ , and GND power planes in the PCB, utilizing short low impedance traces to minimize inductance. Capacitors must be placed directly under the device using a standard escape pattern as much as possible. If some caps are to be placed surrounding the part it must be routed with large trace to minimize the inductance.

These capacitors must have a value of 0.1  $\mu\text{F}$ . Only ceramic SMT (surface mount technology) capacitors must be used to minimize lead inductance, preferably 0402 or 0603 sizes. Besides, it is recommended that there be several bulk storage capacitors distributed around the PCB, feeding the  $V_{DD}$ ,  $TV_{DD}$ ,  $BV_{DD}$ ,  $OV_{DD}$ ,  $GV_{DD}$ , and  $LV_{DD}$  planes, to enable quick recharging of the smaller chip capacitors. These bulk capacitors must have a low ESR (equivalent series resistance) rating to ensure the quick response time necessary. They must also be connected to the power and ground planes through two vias to minimize inductance. Suggested bulk capacitors—100–330  $\mu\text{F}$  (AVX TPS tantalum or Sanyo OSCON). However, customers must work directly with their power regulator vendor for best values, types and quantity of bulk capacitors.

## 22.4 SerDes Block Power Supply Decoupling Recommendations

The SerDes block requires a clean, tightly regulated source of power ( $SV_{DD}$  and  $XV_{DD}$ ) to ensure low jitter on transmit and reliable recovery of data in the receiver. An appropriate decoupling scheme is outlined below.

Only surface mount technology (SMT) capacitors must be used to minimize inductance. Connections from all capacitors to power and ground must be done with multiple vias to further reduce inductance.

- First, the board must have at least  $10 \times 10$ -nF SMT ceramic chip capacitors as close as possible to the supply balls of the device. Where the board has blind vias, these capacitors must be placed directly below the chip supply and ground connections. Where the board does not have blind vias, these capacitors must be placed in a ring around the device as close to the supply and ground connections as possible.
- Second, there must be a 1- $\mu$ F ceramic chip capacitor from each SerDes supply ( $SV_{DD}$  and  $XV_{DD}$ ) to the board ground plane on each side of the device. This must be done for all SerDes supplies.
- Third, between the device and any SerDes voltage regulator there must be a 10- $\mu$ F, low equivalent series resistance (ESR) SMT tantalum chip capacitor and a 100- $\mu$ F, low ESR SMT tantalum chip capacitor. This must be done for all SerDes supplies.

## 22.5 Connection Recommendations

To ensure reliable operation, it is highly recommended to connect unused inputs to an appropriate signal level. All unused active low inputs must be tied to  $V_{DD}$ ,  $TV_{DD}$ ,  $BV_{DD}$ ,  $OV_{DD}$ ,  $GV_{DD}$ , and  $LV_{DD}$ , as required. All unused active high inputs must be connected to GND. All NC (no-connect) signals must remain unconnected. Power and ground connections must be made to all external  $V_{DD}$ ,  $TV_{DD}$ ,  $BV_{DD}$ ,  $OV_{DD}$ ,  $GV_{DD}$ ,  $LV_{DD}$ , and GND pins of the device.

## 22.6 Pull-Up and Pull-Down Resistor Requirements

The device requires weak pull-up resistors (2–10 k $\Omega$  is recommended) on open drain type pins including I<sup>2</sup>C pins and PIC (interrupt) pins.

Correct operation of the JTAG interface requires configuration of a group of system control pins as demonstrated in [Figure 63](#). Care must be taken to ensure that these pins are maintained at a valid deasserted state under normal operating conditions as most have asynchronous behavior and spurious assertion gives unpredictable results.

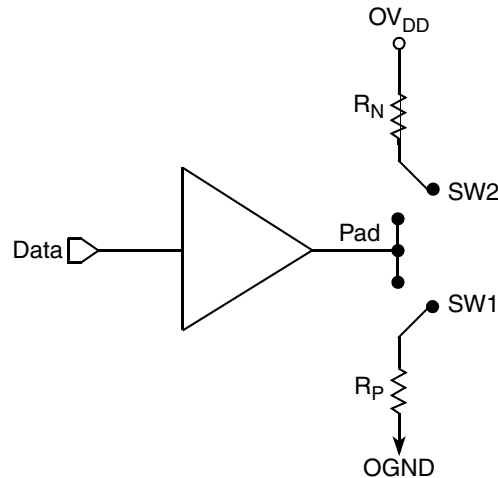
The following pins must not be pulled down during power-on reset:  $TSEC3\_TXD[3]$ ,  $\overline{HRESET\_REQ}$ ,  $TRIG\_OUT/READY/QUIESCE$ ,  $MSRCID[2:4]$ ,  $ASLEEP$ . The  $\overline{DMA\_DACK}[0:1]$ , and  $TEST\_SEL/TEST\_SEL$  pins must be set to a proper state during POR configuration. See the pinlist table of the individual device for more details

See the PCI 2.2 specification for all pull ups required for PCI.

## 22.7 Output Buffer DC Impedance

The device drivers are characterized over process, voltage, and temperature. For all buses, the driver is a push-pull single-ended driver type (open drain for I<sup>2</sup>C).

To measure  $Z_0$  for the single-ended drivers, an external resistor is connected from the chip pad to  $OV_{DD}$  or GND. Then, the value of each resistor is varied until the pad voltage is  $OV_{DD}/2$  (see [Figure 61](#)). The output impedance is the average of two components, the resistances of the pull-up and pull-down devices. When data is held high, SW1 is closed (SW2 is open) and  $R_P$  is trimmed until the voltage at the pad equals  $OV_{DD}/2$ .  $R_P$  then becomes the resistance of the pull-up devices.  $R_P$  and  $R_N$  are designed to be close to each other in value. Then,  $Z_0 = (R_P + R_N)/2$ .



**Figure 61. Driver Impedance Measurement**

This table summarizes the signal impedance targets. The driver impedances are targeted at minimum  $V_{DD}$ , nominal  $OV_{DD}$ ,  $105^{\circ}\text{C}$ .

**Table 86. Impedance Characteristics**

Impedance	Local Bus, Ethernet, DUART, Control, Configuration, Power Management	PCI	DDR DRAM	Symbol	Unit
$R_N$	43 Target	25 Target	20 Target	$Z_0$	W
$R_P$	43 Target	25 Target	20 Target	$Z_0$	W

**Note:** Nominal supply voltages. See [Table 1](#),  $T_j = 105^{\circ}\text{C}$ .

## 22.8 Configuration Pin Muxing

The device provides the user with power-on configuration options which can be set through the use of external pull-up or pull-down resistors of  $4.7\text{ k}\Omega$  on certain output pins (see customer visible configuration pins). These pins are generally used as output only pins in normal operation.

While  $\overline{\text{HRESET}}$  is asserted however, these pins are treated as inputs. The value presented on these pins while  $\overline{\text{HRESET}}$  is asserted, is latched when  $\overline{\text{HRESET}}$  deasserts, at which time the input receiver is disabled and the I/O circuit takes on its normal function. Most of these sampled configuration pins are equipped with an on-chip gated resistor of approximately  $20\text{ k}\Omega$ . This value must permit the  $4.7\text{-k}\Omega$  resistor to pull the configuration pin to a valid logic low level. The pull-up resistor is enabled only during  $\overline{\text{HRESET}}$  (and for platform/system clocks after  $\overline{\text{HRESET}}$  deassertion to ensure capture of the reset value). When the input receiver is disabled the pull-up is also, thus allowing functional operation of the pin as an output with minimal signal quality or delay disruption. The default value for all configuration bits treated this way has been encoded such that a high voltage level puts the device into the default state and external resistors are needed only when non-default settings are required by the user.

Careful board layout with stubless connections to these pull-down resistors coupled with the large value of the pull-down resistor minimizes the disruption of signal quality or speed for output pins thus configured.

The platform PLL ratio and e500 PLL ratio configuration pins are not equipped with these default pull-up devices.

## 22.9 JTAG Configuration Signals

Correct operation of the JTAG interface requires configuration of a group of system control pins as demonstrated in [Figure 63](#). Care must be taken to ensure that these pins are maintained at a valid deasserted state under normal operating conditions as most have asynchronous behavior and spurious assertion gives unpredictable results.

Boundary-scan testing is enabled through the JTAG interface signals. The  $\overline{\text{TRST}}$  signal is optional in the IEEE 1149.1 specification, but it is provided on all processors built on Power Architecture technology. The device requires  $\overline{\text{TRST}}$  to be asserted during power-on reset flow to ensure that the JTAG boundary logic does not interfere with normal chip operation. While the TAP controller can be forced to the reset state using only the TCK and TMS signals, generally systems assert  $\overline{\text{TRST}}$  during the power-on reset flow. Simply tying  $\overline{\text{TRST}}$  to  $\overline{\text{HRESET}}$  is not practical because the JTAG interface is also used for accessing the common on-chip processor (COP), which implements the debug interface to the chip.

The COP function of these processors allow a remote computer system (typically, a PC with dedicated hardware and debugging software) to access and control the internal operations of the processor. The COP interface connects primarily through the JTAG port of the processor, with some additional status monitoring signals. The COP port requires the ability to independently assert  $\overline{\text{HRESET}}$  or  $\overline{\text{TRST}}$  in order to fully control the processor. If the target system has independent reset sources, such as voltage monitors, watchdog timers, power supply failures, or push-button switches, then the COP reset signals must be merged into these signals with logic.

The arrangement shown in [Figure 63](#) allows the COP port to independently assert  $\overline{\text{HRESET}}$  or  $\overline{\text{TRST}}$ , while ensuring that the target can drive  $\overline{\text{HRESET}}$  as well.

The COP interface has a standard header, shown in [Figure 62](#), for connection to the target system, and is based on the 0.025" square-post, 0.100" centered header assembly (often called a Berg header). The connector typically has pin 14 removed as a connector key.

The COP header adds many benefits such as breakpoints, watchpoints, register and memory examination/modification, and other standard debugger features. An inexpensive option can be to leave the COP header unpopulated until needed.

There is no standardized way to number the COP header; so emulator vendors have issued many different pin numbering schemes. Some COP headers are numbered top-to-bottom then left-to-right, while others use left-to-right then top-to-bottom. Still others number the pins counter-clockwise from pin 1 (as with an IC). Regardless of the numbering scheme, the signal placement recommended in [Figure 62](#) is common to all known emulators.

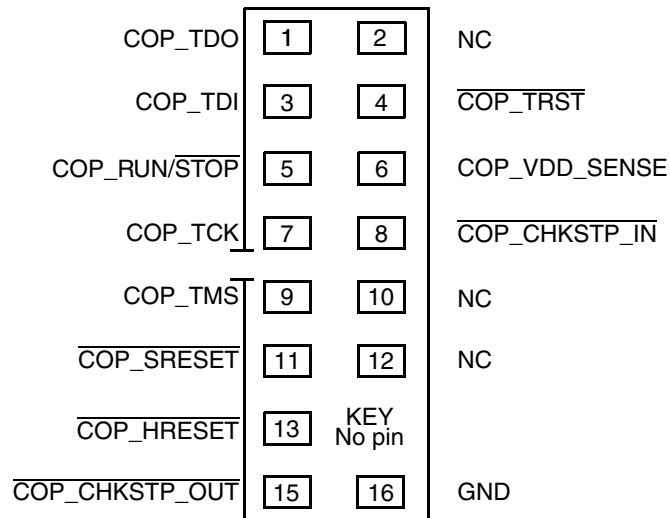
### 22.9.1 Termination of Unused Signals

Freescale recommends the following connections, when the JTAG interface and COP header are not used:

- $\overline{\text{TRST}}$  must be tied to  $\overline{\text{HRESET}}$  through a 0 k $\Omega$  isolation resistor so that it is asserted when the system reset signal ( $\overline{\text{HRESET}}$ ) is asserted, ensuring that the JTAG scan chain is initialized during the power-on reset flow. Freescale recommends that the COP header be designed into the system

as shown in Figure 63. If this is not possible, the isolation resistor allows future access to  $\overline{\text{TRST}}$  in case a JTAG interface may need to be wired onto the system in future debug situations.

- No pull-up/pull-down is required for TDI, TMS, TDO, or TCK.



**Figure 62. COP Connector Physical Pinout**

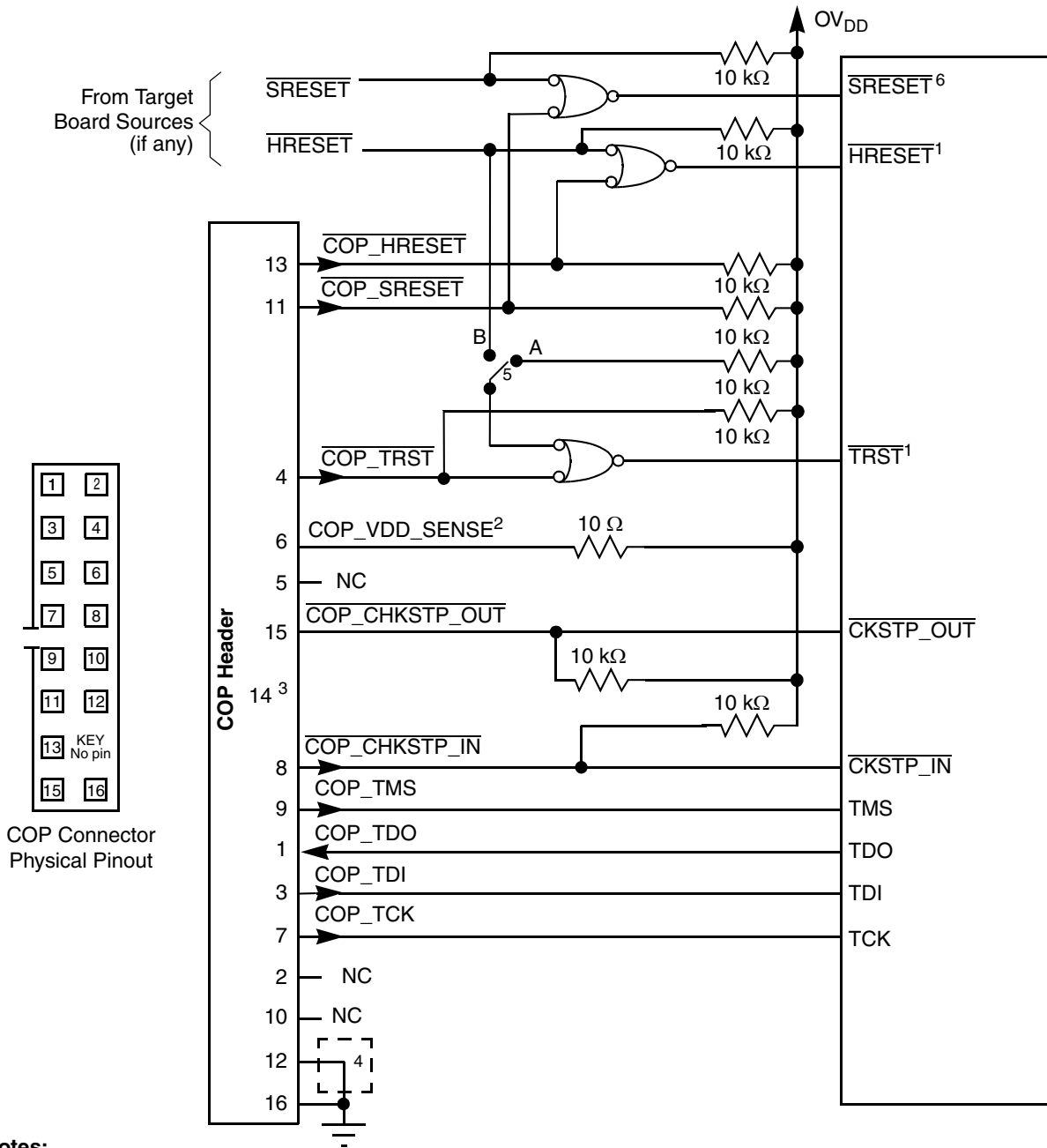


Figure 63. JTAG Interface Connection

## 22.10 Guidelines for High-Speed Interface Termination

This section provides the guidelines for high-speed interface termination when the SerDes interface is entirely unused and when it is partly unused.

### 22.10.1 SerDes Interface Entirely Unused

If the high-speed SerDes interface is not used at all, the unused pin must be terminated as described in this section.

The following pins must be left unconnected (float):

- SD\_TX[7:0]
- $\overline{\text{SD\_TX}}[7:0]$
- Reserved pins T22, T23, M20, M21

The following pins must be connected to GND:

- SD\_RX[7:0]
- $\overline{\text{SD\_RX}}[7:0]$
- SD\_REF\_CLK
- $\overline{\text{SD\_REF\_CLK}}$

#### NOTE

It is recommended to power down the unused lane through SRDSCR1[0:7] register (offset = 0xE\_0F08) (This prevents the oscillations and holds the receiver output in a fixed state.) that maps to SERDES lane 0 to lane 7 accordingly.

Pins V28 and M26 must be tied to  $XV_{DD}$ . Pins V27 and M25 must be tied to GND through a 300- $\Omega$  resistor.

In Rev 2.0 silicon, POR configuration pin `cfg_srds_en` on TSEC4\_TXD[2]/TSEC3\_TXD[6] can be used to power down SerDes block.

### 22.10.2 SerDes Interface Partly Unused

If only part of the high-speed SerDes interface pins are used, the remaining high-speed serial I/O pins must be terminated as described in this section.

The following pins must be left unconnected (float) if not used:

- SD\_TX[7:0]
- $\overline{\text{SD\_TX}}[7:0]$
- Reserved pins: T22, T23, M20, M21

The following pins must be connected to GND if not used:

- SD\_RX[7:0]
- $\overline{\text{SD\_RX}}[7:0]$
- SD\_REF\_CLK

- $\overline{\text{SD\_REF\_CLK}}$

### NOTE

It is recommended to power down the unused lane through SRDSCR1[0:7] register (offset = 0xE\_0F08) (this prevents the oscillations and holds the receiver output in a fixed state) that maps to SERDES lane 0 to lane 7 accordingly.

Pins V28 and M26 must be tied to  $XV_{DD}$ . Pins V27 and M25 must be tied to GND through a 300- $\Omega$  resistor.

## 22.11 Guideline for PCI Interface Termination

PCI termination if PCI 1 or PCI 2 is not used at all.

### Option 1

If PCI arbiter is enabled during POR:

- All AD pins are driven to the stable states after POR. Therefore, all ADs pins can be floating.
- All PCI control pins can be grouped together and tied to  $OV_{DD}$  through a single 10-k $\Omega$  resistor.
- It is optional to disable PCI block through DEVDISR register after POR reset.

### Option 2

If PCI arbiter is disabled during POR:

- All AD pins are in the input state. Therefore, all ADs pins need to be grouped together and tied to  $OV_{DD}$  through a single (or multiple) 10-k $\Omega$  resistor(s).
- All PCI control pins can be grouped together and tied to  $OV_{DD}$  through a single 10-k $\Omega$  resistor.
- It is optional to disable PCI block through DEVDISR register after POR reset.

## 22.12 Guideline for LBIU Termination

If the LBIU parity pins are not used, the following is the termination recommendation:

- For LDP[0:3]—tie them to ground or the power supply rail via a 4.7-k $\Omega$  resistor.
- For LPBSE—tie it to the power supply rail via a 4.7-k $\Omega$  resistor (pull-up resistor).



## 23 Ordering Information

Ordering information for the parts fully covered by this specification document is provided in [Section 23.1, “Part Numbers Fully Addressed by this Document.”](#)

### 23.1 Part Numbers Fully Addressed by this Document

This table provides the Freescale part numbering nomenclature for the device. Note that the individual part numbers correspond to a maximum processor core frequency. For available frequencies, contact your local Freescale sales office. In addition to the processor frequency, the part-numbering scheme also includes an application modifier that may specify special application conditions. Each part number also contains a revision code that refers to the die mask revision number.

**Table 87. Part Numbering Nomenclature**

MPC	nnnnn	t	pp	ff	c	r		
Product Code	Part Identifier	Temperature	Package <sup>1, 2, 3</sup>	Processor Frequency <sup>4</sup>	Core Frequency	Silicon Version		
MPC	8548E	Blank = 0 to 105°C C = -40° to 105°C	HX = CBGA VU = Pb-free CBGA PX = PBGA VT = Pb-free PBGA <sup>6</sup> VJ = lead-free PBGA <sup>7</sup>	AV = 1500 <sup>3</sup> AU = 1333 AT = 1200 AQ = 1000	J = 533 H = 500 <sup>5</sup> G = 400	Blank = Ver. 2.0 (SVR = 0x80390020) A = Ver. 2.1.1 B = Ver. 2.1.2 C = Ver. 2.1.3 (SVR = 0x80390021) D = Ver. 3.1.x (SVR = 0x80390031)		
	8548					Blank = Ver. 2.0 (SVR = 0x80310020) A = Ver. 2.1.1 B = Ver. 2.1.2 C = Ver. 2.1.3 (SVR = 0x80310021) D = Ver. 3.1.x (SVR = 0x80310031)		
	8547E					AU = 1333 AT = 1200 AQ = 1000	J = 533 G = 400	Blank = Ver. 2.0 (SVR = 0x80390120) A = Ver. 2.1.1 B = Ver. 2.1.2 C = Ver. 2.1.3 (SVR = 0x80390121) D = Ver. 3.1.x (SVR = 0x80390131)
	8547					Blank = Ver. 2.0 (SVR = 0x80390120) A = Ver. 2.1.1 B = Ver. 2.1.2 C = Ver. 2.1.3 (SVR = 0x80310121) D = Ver. 3.1.x (SVR = 0x80310131)		

Table 87. Part Numbering Nomenclature (continued)

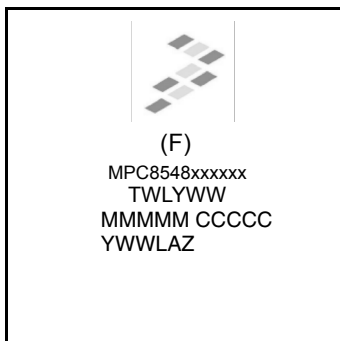
MPC	nnnnn	t	pp	ff	c	r
Product Code	Part Identifier	Temperature	Package <sup>1, 2, 3</sup>	Processor Frequency <sup>4</sup>	Core Frequency	Silicon Version
MPC	8545E	Blank = 0 to 105°C C = -40° to 105°C	HX = CBGA VU = Pb-free CBGA PX = PBGA VT = Pb-free PBGA <sup>6</sup> VJ = lead-free PBGA <sup>7</sup>	AT = 1200 AQ = 1000 AN = 800	G = 400	Blank = Ver. 2.0 (SVR = 0x80390220) A = Ver. 2.1.1 B = Ver. 2.1.2 D = Ver. 3.1.x (SVR = 0x80390231)
	8545					Blank = Ver. 2.0 (SVR = 0x80310220) A = Ver. 2.1.1 B = Ver. 2.1.2 D = Ver. 3.1.x (SVR = 0x80310231)
	8543E			AQ = 1000 AN = 800		Blank = Ver. 2.0 (SVR = 0x803A0020) A = Ver. 2.1.1 B = Ver. 2.1.2 D = Ver. 3.1.x (SVR = 0x803A0031)
	8543			Blank = Ver. 2.0 (SVR = 0x80320020) A = Ver. 2.1.1 B = Ver. 2.1.2 D = Ver. 3.1.x (SVR = 0x80320031)		

**Notes:**

- See Section 19, "Package Description," for more information on available package types.
- The HiCTE FC-CBGA package is available on only Version 2.0 of the device.
- The FC-PBGA package is available on only Version 2.1.1, 2.1.2, and 2.1.3 of the device.
- Processor core frequencies supported by parts addressed by this specification only. Not all parts described in this specification support all core frequencies. Additionally, parts addressed by part number specifications may support other maximum core frequencies.
- This speed available only for silicon Version 2.1.1, 2.1.2, and 2.1.3.
- The VT part number is ROHS-compliant, with the permitted exception of the C4 die bumps.
- The VJ part number is entirely lead-free. This includes the C4 die bumps.

## 23.2 Part Marking

Parts are marked as the example shown in [Figure 64](#).



**Notes:**

TWLYWW is final test traceability code.

MMMMM is 5 digit mask number.

CCCCC is the country of assembly. This space is left blank if parts are assembled in the United States.

YWWLAZ is assembly traceability code.

**Figure 64. Part Marking for CBGA and PBGA Device**

## 24 Document Revision History

The following table provides a revision history for this hardware specification.

**Table 88. Document Revision History**

Rev. Number	Date	Substantive Change(s)
10	06/2014	In <a href="#">Table 87</a> , “Part Numbering Nomenclature,” added full Pb-free part code and added footnotes 3 and 4.
9	02/2012	<ul style="list-style-type: none"> <li>Updated <a href="#">Section 21.2</a>, “Thermal for Version 2.1.1, 2.1.2, and 2.1.3 Silicon FC-PBGA with Full Lid and Version 3.1.x Silicon with Stamped Lid,” with version 3.0 silicon information.</li> <li>Added <a href="#">Figure 56</a>, “Mechanical Dimensions and Bottom Surface Nomenclature of the FC-PBGA with Stamped Lid.”</li> <li>Updated <a href="#">Table 87</a>, “Part Numbering Nomenclature,” with version 3.0 silicon information.</li> <li>Removed Note from <a href="#">Section 5.1</a>, “Power-On Ramp Rate”.</li> <li>Changed the <a href="#">Table 10</a> title to “Power Supply Ramp Rate”.</li> <li>Removed table 11.</li> <li>Updated the title of <a href="#">Section 21.2</a>, “Thermal for Version 2.1.1, 2.1.2, and 2.1.3 Silicon FC-PBGA with Full Lid and Version 3.1.x Silicon with Stamped Lid” to include Thermal Version 2.1.3 and Version 3.1.x Silicon.</li> <li>Corrected the leaded Solder Ball composition in <a href="#">Table 70</a>, “Package Parameters”</li> <li>Updated <a href="#">Table 87</a>, “Part Numbering Nomenclature,” with Version 3.1.x silicon information.</li> <li>Updated the Min and Max value of TDO in the valid times row of <a href="#">Table 44</a>, “JTAG AC Timing Specifications (Independent of SYSCLK)<sup>1</sup>” from 4 and 25 to 2 and 10 respectively .</li> </ul>
8	04/2011	<ul style="list-style-type: none"> <li>Added <a href="#">Section 14.1</a>, “GPOUT/GPIN Electrical Characteristics.”</li> <li>Updated <a href="#">Table 71</a>, “MPC8548E Pinout Listing,” <a href="#">Table 72</a>, “MPC8547E Pinout Listing,” <a href="#">Table 73</a>, “MPC8545E Pinout Listing,” and <a href="#">Table 74</a>, “MPC8543E Pinout Listing,” to reflect that the TDO signal is not driven during HRSET* assertion.</li> <li>Updated <a href="#">Table 87</a>, “Part Numbering Nomenclature” with Ver. 2.1.3 silicon information.</li> </ul>
7	09/2010	<ul style="list-style-type: none"> <li>In <a href="#">Table 37</a>, “MII Management AC Timing Specifications,” modified the fifth row from “MDC to MDIO delay <math>t_{MDKHDX} (16 \times t_{ptb\_clk} \times 8) - 3 - (16 \times t_{ptb\_clk} \times 8) + 3</math>” to “MDC to MDIO delay <math>t_{MDKHDX} (16 \times t_{CCB} \times 8) - 3 - (16 \times t_{CCB} \times 8) + 3</math>.”</li> <li>Updated <a href="#">Figure 55</a>, “Mechanical Dimensions and Bottom Surface Nomenclature of the HiCTE FC-CBGA and FC-PBGA with Full Lid and figure notes.</li> </ul>
6	12/2009	<ul style="list-style-type: none"> <li>In <a href="#">Section 5.1</a>, “Power-On Ramp Rate” added explanation that Power-On Ramp Rate is required to avoid falsely triggering ESD circuitry.</li> <li>In <a href="#">Table 13</a> changed required ramp rate from 545 V/s for MVREF and VDD/XVDD/SVDD to 3500 V/s for MVREF and 4000 V/s for VDD.</li> <li>In <a href="#">Table 13</a> deleted ramp rate requirement for XVDD/SVDD.</li> <li>In <a href="#">Table 13</a> footnote 1 changed voltage range of concern from 0–400 mV to 20–500mV.</li> <li>In <a href="#">Table 13</a> added footnote 2 explaining that VDD voltage ramp rate is intended to control ramp rate of AVDD pins.</li> </ul>
5	10/2009	<ul style="list-style-type: none"> <li>In <a href="#">Table 27</a>, “GMII Receive AC Timing Specifications,” changed duty cycle specification from 40/60 to 35/75 for RX_CLK duty cycle.</li> <li>Updated <math>t_{MDKHDX}</math> in <a href="#">Table 37</a>, “MII Management AC Timing Specifications.”</li> <li>Added a reference to Revision 2.1.2.</li> <li>Updated <a href="#">Table 55</a>, “MII Management AC Timing Specifications.”</li> <li>Added <a href="#">Section 5.1</a>, “Power-On Ramp Rate.”</li> </ul>

Table 88. Document Revision History (continued)

Rev. Number	Date	Substantive Change(s)
4	04/2009	<ul style="list-style-type: none"> <li>• In <a href="#">Table 1</a>, “Absolute Maximum Ratings <sup>1</sup>,” and in <a href="#">Table 2</a>, “Recommended Operating Conditions,” moved text, “MII management voltage” from LV<sub>DD</sub>/TV<sub>DD</sub> to OV<sub>DD</sub>, added “Ethernet management” to OV<sub>DD</sub> row of input voltage section.</li> <li>• In <a href="#">Table 5</a>, “SYSCLK AC Timing Specifications,” added notes 7 and 8 to SYSCLK frequency and cycle time.</li> <li>• In <a href="#">Table 36</a>, “MII Management DC Electrical Characteristics,” changed all instances of LV<sub>DD</sub>/OV<sub>DD</sub> to OV<sub>DD</sub>.</li> <li>• Modified <a href="#">Section 16</a>, “High-Speed Serial Interfaces (HSSI),” to reflect that there is only one SerDes.</li> <li>• Modified DDR clk rate min from 133 to 166 MHz.</li> <li>• Modified note in <a href="#">Table 75</a>, “Processor Core Clocking Specifications (MPC8548E and MPC8547E), “. ”</li> <li>• In <a href="#">Table 56</a>, “Differential Transmitter (TX) Output Specifications,” modified equations in Comments column, and changed all instances of “LO” to “L0.” Also added note 8.</li> <li>• In <a href="#">Table 57</a>, “Differential Receiver (RX) Input Specifications,” modified equations in Comments column, and in note 3, changed “TRX-EYE-MEDIAN-to-MAX-JITTER,” to “TRX-EYE-MEDIAN-to-MAX-JITTER.”</li> <li>• Modified <a href="#">Table 83</a>, “Frequency Options of SYSCLK with Respect to Memory Bus Speeds.”</li> <li>• Added a note on <a href="#">Section 4.1</a>, “System Clock Timing,” to limit the SYSCLK to 100 MHz if the core frequency is less than 1200 MHz</li> <li>• In <a href="#">Table 71</a>, “MPC8548E Pinout Listing”<a href="#">Table 72</a>, “MPC8547E Pinout Listing”<a href="#">Table 73</a>, “MPC8545E Pinout Listing”<a href="#">Table 74</a>, “MPC8543E Pinout Listing,” added note 5 to LA[28:31].</li> <li>• Added note to <a href="#">Table 83</a>, “Frequency Options of SYSCLK with Respect to Memory Bus Speeds.”</li> </ul>
3	01/2009	<ul style="list-style-type: none"> <li>• [<a href="#">Section 4.6</a>, “Platform Frequency Requirements for PCI-Express and Serial RapidIO.” Changed minimum frequency equation to be 527 MHz for PCI x8.</li> <li>• In <a href="#">Table 5</a>, added note 7.</li> <li>• <a href="#">Section 4.5</a>, “Platform to FIFO Restrictions.” Changed platform clock frequency to 4.2.</li> <li>• <a href="#">Section 8.1</a>, “Enhanced Three-Speed Ethernet Controller (eTSEC) (10/100/1Gb Mbps)—GMII/MII/TBI/RGMII/RTBI/RMII Electrical Characteristics.” Added MII after GMII and add ‘or 2.5 V’ after 3.3 V.</li> <li>• In <a href="#">Table 23</a>, modified table title to include GMII, MII, RMII, and TBI.</li> <li>• In <a href="#">Table 24</a> and <a href="#">Table 25</a>, changed clock period minimum to 5.3.</li> <li>• In <a href="#">Table 25</a>, added a note.</li> <li>• In <a href="#">Table 26</a>, <a href="#">Table 27</a>, <a href="#">Table 28</a>, <a href="#">Table 29</a>, and <a href="#">Table 30</a>, removed subtitle from table title.</li> <li>• In <a href="#">Table 30</a> and <a href="#">Figure 15</a>, changed all instances of PMA to TSEC<sub>n</sub>.</li> <li>• In <a href="#">Section 8.2.5</a>, “TBI Single-Clock Mode AC Specifications.” Replaced first paragraph.</li> <li>• In <a href="#">Table 34</a>, <a href="#">Table 35</a>, <a href="#">Figure 18</a>, and <a href="#">Figure 20</a>, changed all instances of REF_CLK to TSEC<sub>n</sub>_TX_CLK.</li> <li>• In <a href="#">Table 36</a>, changed all instances of OV<sub>DD</sub> to LV<sub>DD</sub>/TV<sub>DD</sub>.</li> <li>• In <a href="#">Table 37</a>, “MII Management AC Timing Specifications,” changed MDC minimum clock pulse width high from 32 to 48 ns.</li> <li>• Added new section, <a href="#">Section 16</a>, “High-Speed Serial Interfaces (HSSI).”</li> <li>• <a href="#">Section 16.1</a>, “DC Requirements for PCI Express SD_REF_CLK and SD_REF_CLK.” Added new paragraph.</li> <li>• <a href="#">Section 17.1</a>, “DC Requirements for Serial RapidIO SD_REF_CLK and SD_REF_CLK.” Added new paragraph.</li> <li>• Added information to <a href="#">Figure 63</a>, both in figure and in note.</li> <li>• <a href="#">Section 22.3</a>, “Decoupling Recommendations.” Modified the recommendation.</li> <li>• <a href="#">Table 87</a>, “Part Numbering Nomenclature.” In Silicon Version column added Ver. 2.1.2.</li> </ul>

Table 88. Document Revision History (continued)

Rev. Number	Date	Substantive Change(s)
2	04/2008	<ul style="list-style-type: none"> <li>Removed 1:1 support on <a href="#">Table 82, “e500 Core to CCB Clock Ratio.”</a></li> <li>Removed MDM from <a href="#">Table 18, “DDR SDRAM Input AC Timing Specifications.”</a> MDM is an Output.</li> <li><a href="#">Figure 57, “PLL Power Supply Filter Circuit with PLAT Pins”</a> (AVDD_PLAT).</li> <li><a href="#">Figure 58, “PLL Power Supply Filter Circuit with CORE Pins”</a> (AVDD_CORE).</li> <li>Split <a href="#">Figure 59, “PLL Power Supply Filter Circuit with PCI/LBIU Pins,”</a> (formerly called just “PLL Power Supply Filter Circuit”) into three figures: the original (now specific for AVDD_PCI/AVDD_LBIU) and two new ones.</li> </ul>
1	10/2007	<ul style="list-style-type: none"> <li>Adjusted maximum SYSCLK frequency down in <a href="#">Table 5, “SYSCLK AC Timing Specifications”</a> per device erratum GEN-13.</li> <li>Clarified notes to <a href="#">Table 6, “EC_GTX_CLK125 AC Timing Specifications.”</a></li> <li>Added <a href="#">Section 4.4, “PCI/PCI-X Reference Clock Timing.”</a></li> <li>Clarified descriptions and added PCI/PCI-X to <a href="#">Table 9, “PLL Lock Times.”</a></li> <li>Removed support for 266 and 200 Mbps data rates per device erratum GEN-13 in <a href="#">Section 6, “DDR and DDR2 SDRAM.”</a></li> <li>Clarified Note 4 of <a href="#">Table 19, “DDR SDRAM Output AC Timing Specifications.”</a></li> <li>Clarified the reference clock used in <a href="#">Section 7.2, “DUART AC Electrical Specifications.”</a></li> <li>Corrected <math>V_{IH}(\text{min})</math> in <a href="#">Table 22, “GMII, MII, RMII, and TBI DC Electrical Characteristics.”</a></li> <li>Corrected <math>V_{IL}(\text{max})</math> in <a href="#">Table 23, “GMII, MII, RMII, TBI, RGMII, RTBI, and FIFO DC Electrical Characteristics.”</a></li> <li>Removed DC parameters from <a href="#">Table 24, Table 25, Table 26, Table 27, Table 28, Table 29, Table 32, Table 34, and Table 35.</a></li> <li>Corrected <math>V_{IH}(\text{min})</math> in <a href="#">Table 36, “MII Management DC Electrical Characteristics.”</a></li> <li>Corrected <math>t_{MDC}(\text{min})</math> in <a href="#">Table 37, “MII Management AC Timing Specifications.”</a></li> <li>Updated parameter descriptions for <math>t_{LBIVKH1}</math>, <math>t_{LBIVKH2}</math>, <math>t_{LBIXKH1}</math>, and <math>t_{LBIXKH2}</math> in <a href="#">Table 40, “Local Bus Timing Parameters (BV<sub>DD</sub> = 3.3 V)—PLL Enabled”</a> and <a href="#">Table 40, “Local Bus Timing Parameters (BV<sub>DD</sub> = 2.5 V)—PLL Enabled.”</a></li> <li>Updated parameter descriptions for <math>t_{LBIVKH1}</math>, <math>t_{LBIVKL2}</math>, <math>t_{LBIXKH1}</math>, and <math>t_{LBIXKL2}</math> in <a href="#">Table 42, “Local Bus Timing Parameters—PLL Bypassed.”</a> Note that <math>t_{LBIVKL2}</math> and <math>t_{LBIXKL2}</math> were previously labeled <math>t_{LBIVKH2}</math> and <math>t_{LBIXKH2}</math>.</li> <li>Added LUPWAIT signal to <a href="#">Figure 23, “Local Bus Signals (PLL Enabled)”</a> and <a href="#">Figure 24, “Local Bus Signals (PLL Bypass Mode).”</a></li> <li>Added LGTA signal to <a href="#">Figure 25, Figure 26, Figure 27 and Figure 28.</a></li> <li>Corrected LUPWAIT assertion in <a href="#">Figure 26 and Figure 28.</a></li> <li>Clarified the PCI reference clock in <a href="#">Section 15.2, “PCI/PCI-X AC Electrical Specifications”</a></li> <li>Added <a href="#">Section 17.1, “Package Parameters.”</a></li> <li>Added PBGA thermal information in <a href="#">Section 21.2, “Thermal for Version 2.1.1, 2.1.2, and 2.1.3 Silicon FC-PBGA with Full Lid and Version 3.1.x Silicon with Stamped Lid.”</a></li> <li>Updated.”</li> <li>Updated <a href="#">Table 87, “Part Numbering Nomenclature.”</a></li> </ul>
0	07/2007	<ul style="list-style-type: none"> <li>Initial Release</li> </ul>

---

**How to Reach Us:**

**Home Page:**

freescale.com

**Web Support:**

freescale.com/support

Information in this document is provided solely to enable system and software implementers to use Freescale products. There are no express or implied copyright licenses granted hereunder to design or fabricate any integrated circuits based on the information in this document.

Freescale reserves the right to make changes without further notice to any products herein. Freescale makes no warranty, representation, or guarantee regarding the suitability of its products for any particular purpose, nor does Freescale assume any liability arising out of the application or use of any product or circuit, and specifically disclaims any and all liability, including without limitation consequential or incidental damages. "Typical" parameters that may be provided in Freescale data sheets and/or specifications can and do vary in different applications, and actual performance may vary over time. All operating parameters, including "typicals," must be validated for each customer application by customer's technical experts. Freescale does not convey any license under its patent rights nor the rights of others. Freescale sells products pursuant to standard terms and conditions of sale, which can be found at the following address: [freescale.com/SalesTermsandConditions](http://freescale.com/SalesTermsandConditions).

Freescale, the Freescale logo, and PowerQUICC are trademarks of Freescale Semiconductor, Inc., Reg. U.S. Pat. & Tm. Off. All other product or service names are the property of their respective owners. The Power Architecture and Power.org word marks and the Power and Power.org logos and related marks are trademarks and service marks licensed by Power.org.

© 2007-2012, 2014 Freescale Semiconductor, Inc.



Document Number: MPC8548EEC

Rev. 10

06/2014

