

## 450-001 and 450-002

### Qwik-Ty® Strain Relief - Connector Designator E

#### Direct Coupling (Straight)

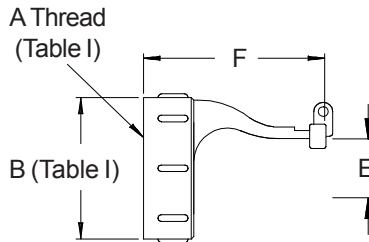
#### Rotatable Coupling (Straight, 45° and 90° Elbows)

## CONNECTOR DESIGNATOR E

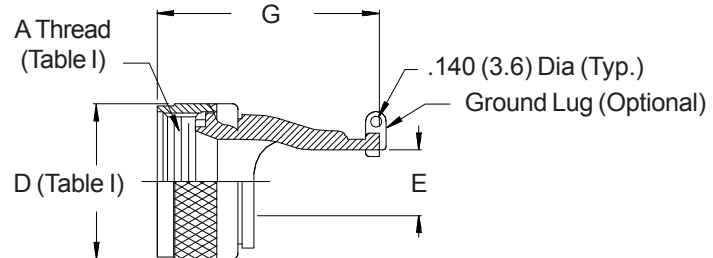
**450 E S 001 M 16 G**

Product Series ———— 450  
 Connector Designator ———— E  
 Angle and Profile ———— S  
 A = 90°, B = 45°  
 S = Straight

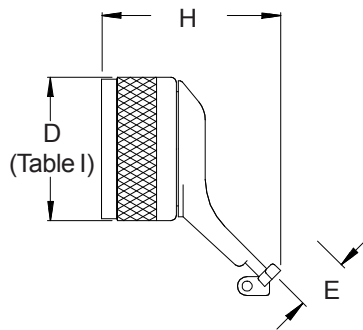
Ground Lug (Omit for none)  
 Shell Size (Table I)  
 Finish (Table II)  
 Basic Part Number  
 001, 002



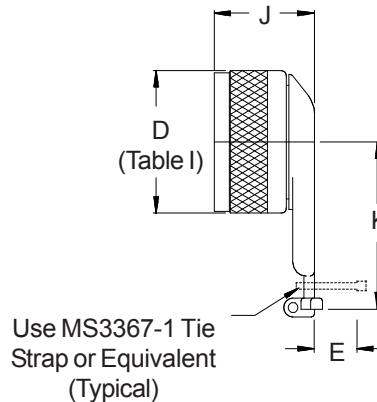
**450ES001**  
**STRAIGHT DIRECT COUPLING**



**450ES002**  
**STRAIGHT ROTATABLE COUPLING**



**450EB001**  
**45° ROTATABLE COUPLING**



**450EA001**  
**90° ROTATABLE COUPLING**

**See inside back cover fold-out or pages 13 and 14 for Tables I and II.**

**TABLE III: DIMENSIONS**

Shell Size	E Cable Entry	F Max	G Max	H Max	J Max	K Max
08	.355 (9.0)	1.060 (26.9)	1.350 (34.3)	1.320 (33.5)	.880 (22.4)	.940 (23.9)
10	.465 (11.8)	1.060 (26.9)	1.410 (35.8)	1.440 (36.6)	.880 (22.4)	1.000 (25.4)
12	.625 (15.9)	1.060 (26.9)	1.600 (40.6)	1.580 (40.1)	.880 (22.4)	1.320 (33.5)
14	.695 (17.7)	1.310 (33.3)	1.600 (40.6)	1.600 (40.6)	.970 (24.6)	1.410 (35.8)
16	.810 (20.6)	1.310 (33.3)	1.650 (41.9)	1.600 (40.6)	1.020 (25.9)	1.460 (37.1)
18	.942 (23.9)	1.310 (33.3)	1.780 (45.2)	1.630 (41.4)	1.020 (25.9)	1.510 (38.4)
20	.968 (24.6)	1.310 (33.3)	1.900 (48.3)	1.630 (41.4)	.970 (24.6)	1.560 (39.6)
22	1.079 (27.4)	1.310 (33.3)	2.030 (51.6)	1.630 (41.4)	.970 (24.6)	1.560 (39.6)
24	1.300 (33.1)	1.310 (33.3)	2.060 (52.3)	1.630 (41.4)	.920 (23.4)	1.630 (41.4)

1. Cable Entry is defined as the accommodation entry for the wire bundle or cable. Dimensions are not intended for inspection criteria.
2. Metric dimensions (mm) are indicated in parentheses.