



M85049/48-1 Rectangular Strain-Relief Backshells for Unjacketed Wire Bundles

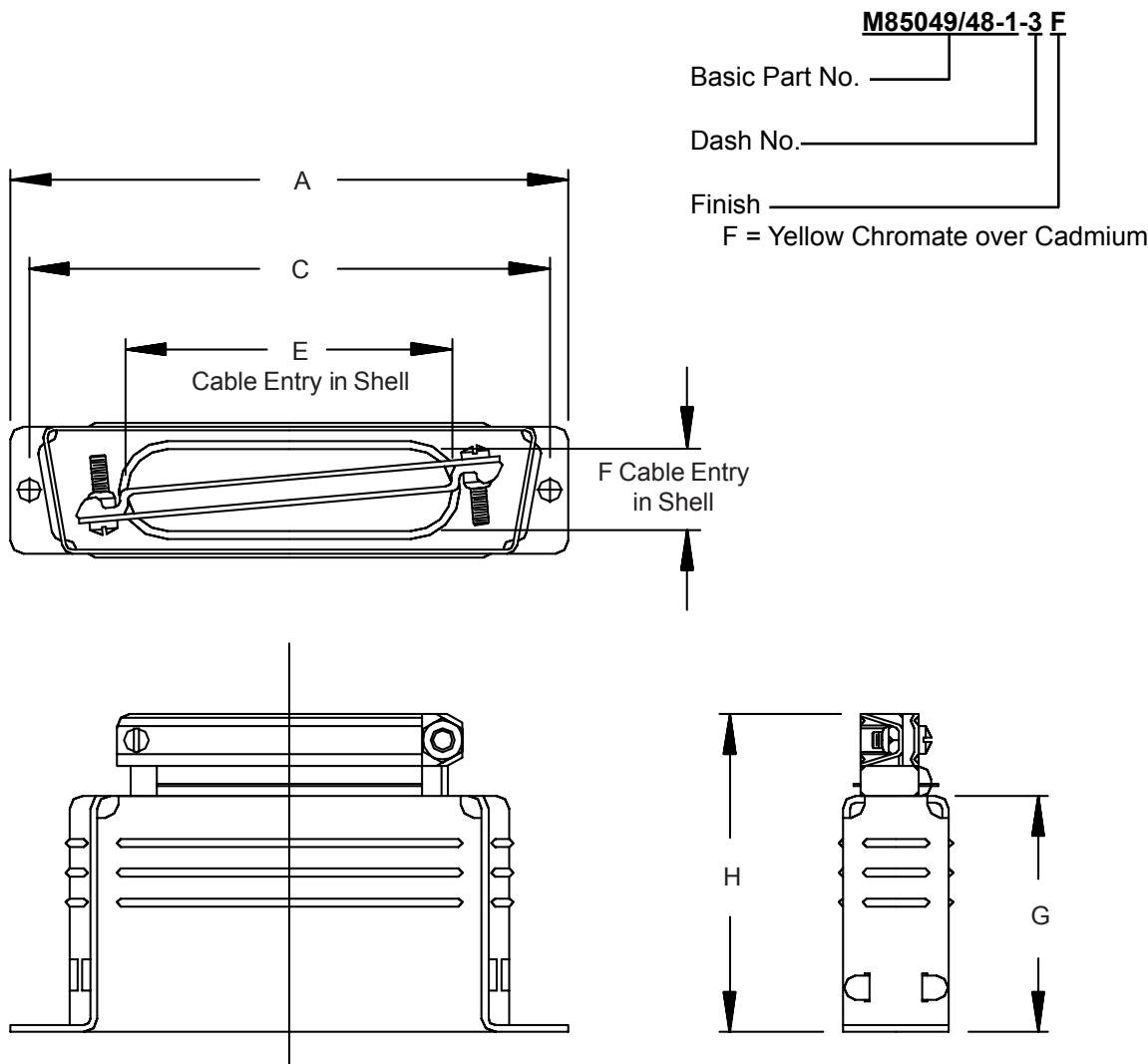


TABLE I: CONNECTOR INTERFACE, CABLE ENTRY & BACKSHELL DIMENSIONS											
Dash No.	A		C		E		F		G		H Max
	±.015	(0.4)	±.005	(.1)	±.015	(0.4)	±.015	(0.4)	±.015	(0.4)	
1	1.203	(30.6)	.984	(25.0)	.375	(9.5)	.375	(9.5)	.750	(19.1)	1.250 (31.8)
2	1.531	(38.9)	1.312	(33.3)	.713	(18.1)	.312	(7.9)	.750	(19.1)	1.250 (31.8)
3	2.078	(52.8)	1.852	(47.0)	1.000	(25.4)	.312	(7.9)	1.000	(25.4)	1.563 (39.7)
4	2.718	(69.0)	2.500	(63.5)	1.375	(34.9)	.312	(7.9)	1.000	(25.4)	1.563 (39.7)
5	2.625	(66.7)	2.406	(61.1)	1.406	(35.7)	.406	(10.3)	1.125	(28.6)	1.688 (42.9)

1. For complete dimensions see applicable Military Specification.
2. Metric dimensions (mm) are indicated in parentheses.
3. Material: Steel.