



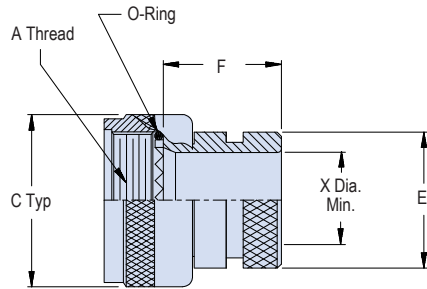
# RJ45 AND USB 2.0 Contacts, Tools, and Accessories



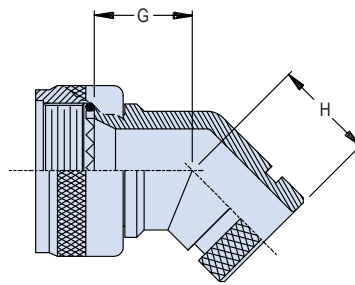
## 310-001 Shrink Boot Adapter with Rotatable Coupling for 38999 Series III Type Connectors



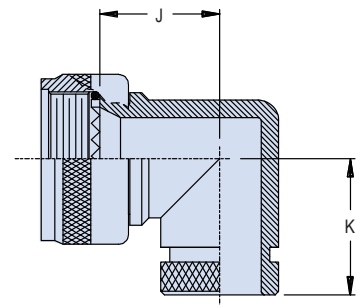
| How To Order          |                               |   |   |     |   |    |
|-----------------------|-------------------------------|---|---|-----|---|----|
| Sample Part Number    | 310                           | H | S | 001 | M | 17 |
| Series/Basic Part No. | 310 - Shrink Boot Adapter     |   |   |     |   |    |
| Connector Designator  | H = 38999                     |   |   |     |   |    |
| Angular Function      | A = 90° B = 45° S = Straight  |   |   |     |   |    |
| Basic Part No.        | 001                           |   |   |     |   |    |
| Finish                | See Material and Finish Table |   |   |     |   |    |
| Shell Size            | 15, 17, 19                    |   |   |     |   |    |



**Straight (S)**



**45° (B)**



**90° (A)**

| Dimensions |               |             |              |             |             |             |              |              |             |
|------------|---------------|-------------|--------------|-------------|-------------|-------------|--------------|--------------|-------------|
| Shell Size | A Thread      | C Typ       | E Max        | F Max       | G Max       | H Max       | J Max        | K Max        | X Dia. Min. |
| 15         | M22 X 1 -- 6H | 1.07 (27.2) | .838 (21.3)  | .940 (23.9) | .705 (17.9) | .890 (22.6) | .920 (23.4)  | 1.110 (28.2) | .565 (14.4) |
| 17         | M25 X 1 -- 6H | 1.21 (30.7) | .963 (24.5)  | .940 (23.9) | .732 (18.6) | .910 (23.1) | .980 (24.9)  | 1.170 (29.7) | .690 (17.5) |
| 19         | M28 X 1 -- 6H | 1.36 (34.5) | 1.042 (26.5) | .940 (23.9) | .748 (19.0) | .920 (23.4) | 1.020 (25.9) | 1.190 (30.2) | .769 (19.5) |

| Materials and Finishes |          |                     |
|------------------------|----------|---------------------|
| NF                     | Aluminum | Cadmium, olive drab |
| ME                     |          | Electroless nickel  |
| MT                     |          | Nickel PTFE         |
| ZR                     |          | Black zinc-nickel   |

| Recommended Shrink Boot* |                                    |                                       |
|--------------------------|------------------------------------|---------------------------------------|
| Shell Size               | Shrink Boot with Low Temp Adhesive | Shrink Boot without Low Temp Adhesive |
| 15                       | 770-028S904<br>Lipless boot        | 770-028S904U<br>Lipless boot          |
| 17                       | 770-028S906                        | 770-028S906U                          |
| 19                       | 770-028S906                        | 770-028S906U                          |

\* **Shrink Boot MUST be ordered separately.**  
Shrink boot material: compound 2013 low temperature polyolefin.

MIL-DTL-38999 Type

M