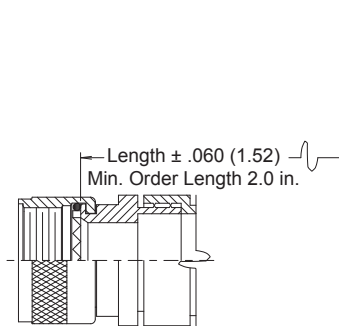
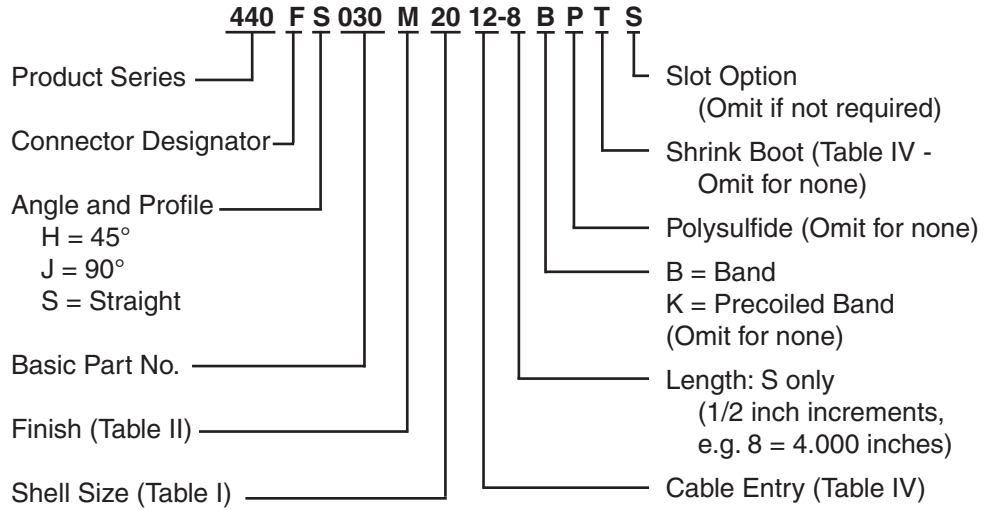
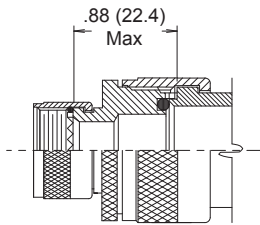
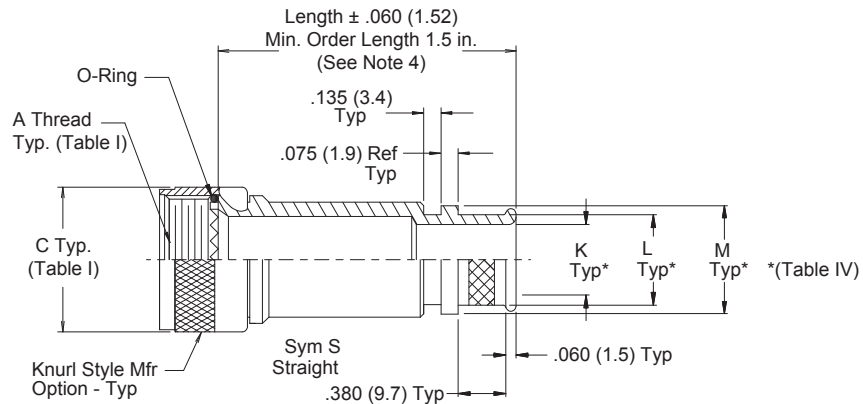


**CONNECTOR  
DESIGNATORS**

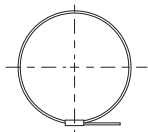
**A-F-H-L  
ROTATABLE  
COUPLING**



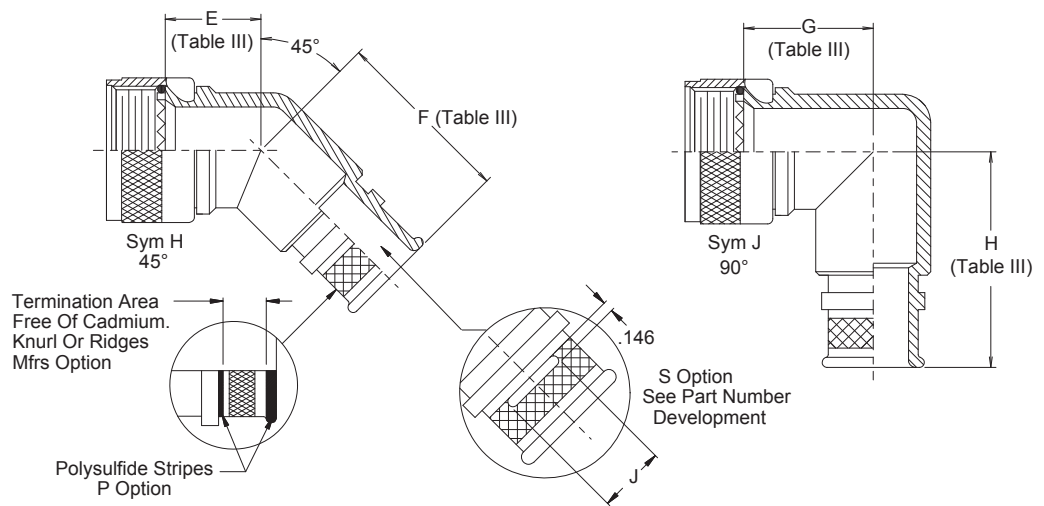
**STYLE 2  
STRAIGHT**  
(See Note 1)



**STYLE 2  
45° & 90°**  
(See Note 1)



Band Option  
(K Option Shown  
See Note 6)



**440-030**  
**EMI/RFI Banding and Shrink Boot Adapter**  
**Rotatable Coupling - Standard Profile**



See inside back cover fold-out or pages 13 and 14 for Tables I and II.

**TABLE III: ELBOW DIMENSIONS**

| Shell Size            |    | E ***<br>Max | F<br>Max     | G ***<br>Max | H ***<br>Max |
|-----------------------|----|--------------|--------------|--------------|--------------|
| Conn. Desig.<br>A-F-L | H  |              |              |              |              |
| 08                    | 09 | .531 (13.5)  | .940 (23.9)  | .639 (16.2)  | 1.110 (28.2) |
| 10                    | 11 | .594 (15.1)  | 1.000 (25.4) | .664 (16.9)  | 1.140 (29.0) |
| 12                    | 13 | .618 (15.7)  | 1.050 (26.7) | .688 (17.5)  | 1.160 (29.5) |
| 14                    | 15 | .656 (16.7)  | 1.090 (27.7) | .705 (17.9)  | 1.190 (30.2) |
| 16                    | 17 | .688 (17.5)  | 1.150 (29.2) | .732 (18.6)  | 1.210 (30.7) |
| 18                    | 19 | .748 (19.0)  | 1.190 (30.2) | .803 (20.4)  | 1.221 (31.0) |
| 20                    | 21 | .773 (19.6)  | 1.250 (31.8) | 1.031 (26.2) | 1.281 (32.5) |
| 22                    | 23 | .800 (20.3)  | 1.320 (33.5) | 1.156 (29.4) | 1.351 (34.3) |
| 24                    | 25 | .823 (20.9)  | 1.380 (35.1) | 1.219 (31.0) | 1.410 (35.8) |
| 28                    |    | 1.041 (26.4) | 1.500 (38.1) | 1.281 (32.5) | 1.531 (38.9) |
| 32                    |    | 1.092 (27.7) | 1.620 (41.1) | 1.593 (40.5) | 1.651 (41.9) |
| 36                    |    | 1.136 (28.9) | 1.750 (44.5) | 1.718 (43.6) | 1.781 (45.2) |

\*\*\* These maximum dimensions are increased by .187 (4.7) when parts are fabricated from stainless steel, and connector designator is "S".

**TABLE IV: CABLE ENTRY**

| Dash No. | J            | K            | L            | M            | Shrink Boot |
|----------|--------------|--------------|--------------|--------------|-------------|
| 01       | .125 (3.2)   | .125 (3.2)   | .250 (6.4)   | .312 (7.9)   | 770-003S111 |
| 31       | .170 (4.3)   | .188 (4.8)   | .312 (7.9)   | .374 (9.5)   | 770-003S111 |
| 02       | .170 (4.3)   | .250 (6.4)   | .375 (9.5)   | .437 (11.1)  | 770-003S112 |
| 32       | .170 (4.3)   | .312 (7.9)   | .438 (11.1)  | .500 (12.7)  | 770-003S112 |
| 03       | .250 (6.4)   | .375 (9.5)   | .500 (12.7)  | .562 (14.3)  | 770-003S112 |
| 33       | .250 (6.4)   | .438 (11.1)  | .562 (14.3)  | .624 (15.8)  | 770-001S104 |
| 04       | .250 (6.4)   | .500 (12.7)  | .625 (15.9)  | .687 (17.4)  | 770-001S104 |
| 34       | .250 (6.4)   | .562 (14.3)  | .688 (17.5)  | .750 (19.1)  | 770-001S104 |
| 05       | .500 (12.7)  | .625 (15.9)  | .750 (19.1)  | .812 (20.6)  | 770-001S104 |
| 35       | .500 (12.7)  | .688 (17.5)  | .812 (20.6)  | .874 (22.2)  | 770-001S104 |
| 06       | .500 (12.7)  | .750 (19.1)  | .875 (22.2)  | .937 (23.8)  | 770-001S105 |
| 36       | .500 (12.7)  | .812 (20.6)  | .938 (23.8)  | 1.000 (25.4) | 770-001S105 |
| 07       | .500 (12.7)  | .875 (22.2)  | 1.000 (25.4) | 1.062 (27.0) | 770-001S105 |
| 37       | .500 (12.7)  | .938 (23.8)  | 1.062 (27.0) | 1.124 (28.5) | 770-001S105 |
| 08       | .500 (12.7)  | 1.000 (25.4) | 1.125 (28.6) | 1.187 (30.1) | 770-001S106 |
| 38       | .500 (12.7)  | 1.062 (27.0) | 1.188 (30.2) | 1.250 (31.8) | 770-001S106 |
| 09       | .500 (12.7)  | 1.125 (28.6) | 1.250 (31.8) | 1.312 (33.3) | 770-001S107 |
| 10       | .750 (19.1)  | 1.250 (31.8) | 1.375 (34.9) | 1.437 (36.5) | 770-001S107 |
| 11       | .750 (19.1)  | 1.375 (34.9) | 1.500 (38.1) | 1.562 (39.7) | 770-001S107 |
| 12       | 1.000 (25.4) | 1.500 (38.1) | 1.625 (41.3) | 1.687 (42.8) | 770-001S107 |
| 13       | 1.000 (25.4) | 1.625 (41.3) | 1.750 (44.5) | 1.812 (46.0) | 770-001S108 |
| 14       | 1.000 (25.4) | 1.750 (44.5) | 1.875 (47.6) | 1.937 (49.2) | 770-001S108 |
| 15       | 1.000 (25.4) | 1.875 (47.6) | 2.000 (50.8) | 2.062 (52.4) | 770-001S109 |
| 16       | 1.000 (25.4) | 2.000 (50.8) | 2.125 (54.0) | 2.187 (55.5) | 770-001S109 |

1. When maximum cable entry (page 21) is exceeded, Style 2 will be supplied. Dimensions E, F, G, and H will not apply. Please consult factory.
2. Metric dimensions (mm) are indicated in parentheses.
3. Interface O-Ring not supplied with Connector Designator A.
4. Consult factory for shorter lengths on straight backshells.
5. See page 40 Shrink Boot Reference Information.
6. Backshells supplied with 600-052-\* band, see Glenair Series 600 Tool Catalog for installation.

**-445** Now Available with the "NESTOR"

Add "-445" to Specify Glenair's Non-Detent, Spring-Loaded, Self-Locking Coupling. See Page 41 for Details.