

189 M* 052
Convolved Tubing Backshell
 for Series 80 "Mighty Mouse" Fiber Optic Connectors



Series 80 Convolved Tubing Backshell

How to Order

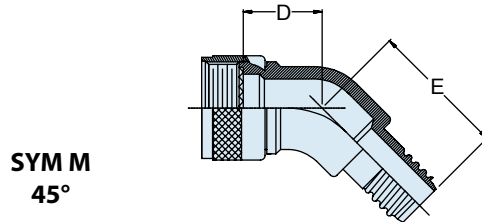
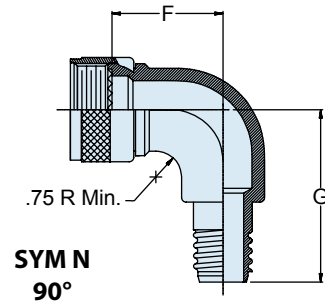
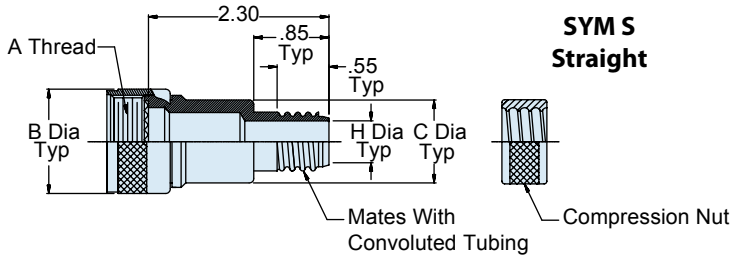
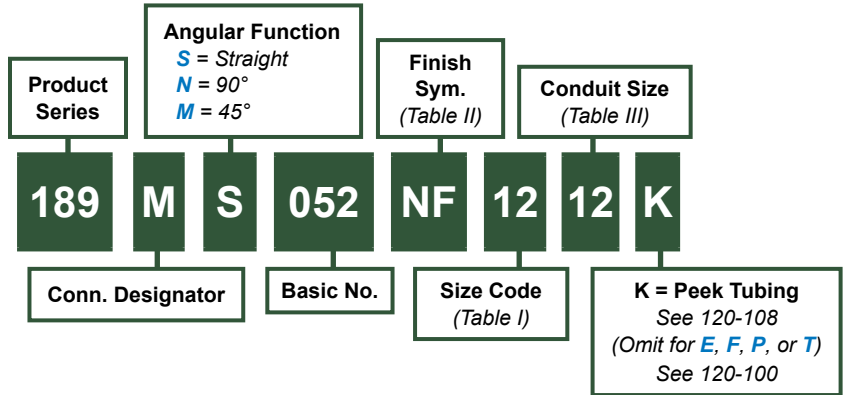


Table I: Shell Size

Shell Size	A Thread Class 2B	B Max	C	D Max	E Max	F Max	G Max
12	.6875-24 UNEF	.91 (23.1)	.620 (15.7)	.910 (23.1)	1.250 (31.8)	1.985 (50.4)	2.395 (60.8)
14	.9375-20 UNEF	1.25 (31.8)	.875 (22.2)	1.020 (25.9)	1.370 (34.8)	2.115 (53.7)	2.465 (62.6)

Table II: Finish

SYM	Finish
M	Electroless Nickel
NF	Cadmium/Olive Drab over Electroless Nickel (500 Hr. Salt Spray)

Table III: PEEK Conduit Size

Frac. Size	Dash No.	H Max
3/8	12	.320 (8.1)
1/2	16	.425 (10.8)
5/8	20	.550 (14.0)
3/4	24	.680 (17.3)

Material and Finish

Adapter, Coupling Nut and Compression Nut: AL Alloy/see Table II
 O-Ring: Fluorosilicone
 Detent Spring: Torlon