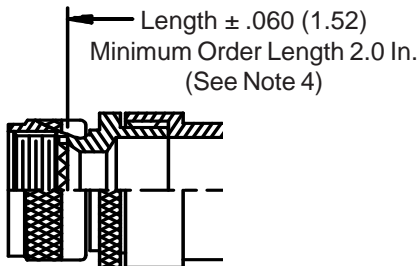
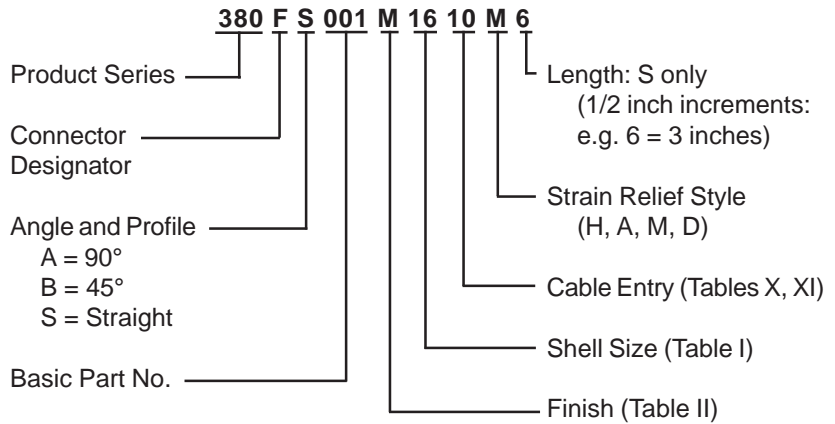
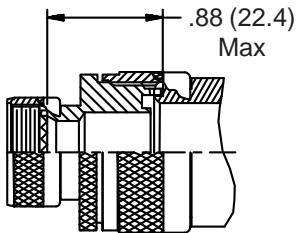


**380-001**  
**EMI/RFI Non-Environmental Backshell**  
**with Strain Relief**  
**Type A - Rotatable Coupling - Low Profile**

**CONNECTOR  
 DESIGNATOR  
 A-F-H-L-S  
 ROTATABLE  
 COUPLING  
 TYPE A OVERALL  
 SHIELD TERMINATION**



**STYLE 2  
 (STRAIGHT  
 See Note 1)**



**STYLE 2  
 (45° & 90°  
 See Note 1)**

