

667-117 Composite Receptacle Cover for MIL-DTL-38999 Series III Connectors with Anti-Decoupling Device

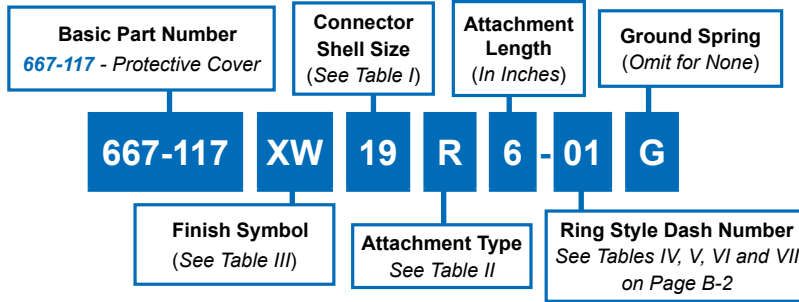


TABLE III	
Symbol	Finish Description
XB	No Plating - Black Color (Non-Conductive Finish)
XM	2000 Hour Corrosion Resistant Electroless Nickel
XMT	2000 Hour Corrosion Resistant Ni-PTFE, Nickel-Fluorocarbon Polymer. <i>1000 Hour Grey™</i>
XO	No Plating - Brown Color (Non-Conductive Finish)
XW	2000 Hour Corrosion Resistant Cadmium/Olive Drab over Electroless Nickel

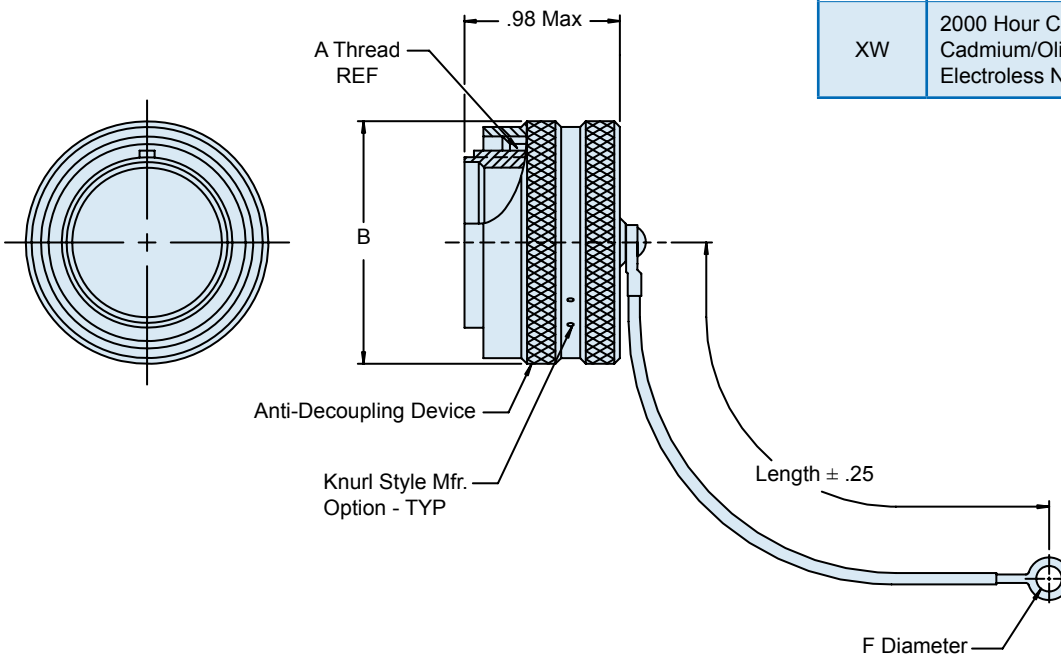


TABLE I: CONNECTOR SHELL SIZE		
Shell Size	A Thread	B Max
09	.6250-0.1P-0.3L-TS	.858
11	.7500-0.1P-0.3L-TS	.984
13	.8750-0.1P-0.3L-TS	1.157
15	1.0000-0.1P-0.3L-TS	1.279
17	1.1875-0.1P-0.3L-TS	1.405
19	1.2500-0.1P-0.3L-TS	1.515
21	1.3750-0.1P-0.3L-TS	1.641
23	1.5000-0.1P-0.3L-TS	1.767
25	1.6250-0.1P-0.3L-TS	1.889

TABLE II: ATTACHMENT	
Symbol	Attachment
F	Wire Rope, Nylon Jacket w/ Terminal
G	.094 Diameter Nylon Cord (black) w/ Loop Ends
H	Wire Rope, Teflon Jacket w/ Terminal
N	Attachment Omitted
R	Wire Rope, PVC Jacket w/ Terminal
T	Wire Rope, NO Jacket, w/ Terminal
K	Nylon Rope

Metric dimensions (mm) are in parentheses and are for reference only.

