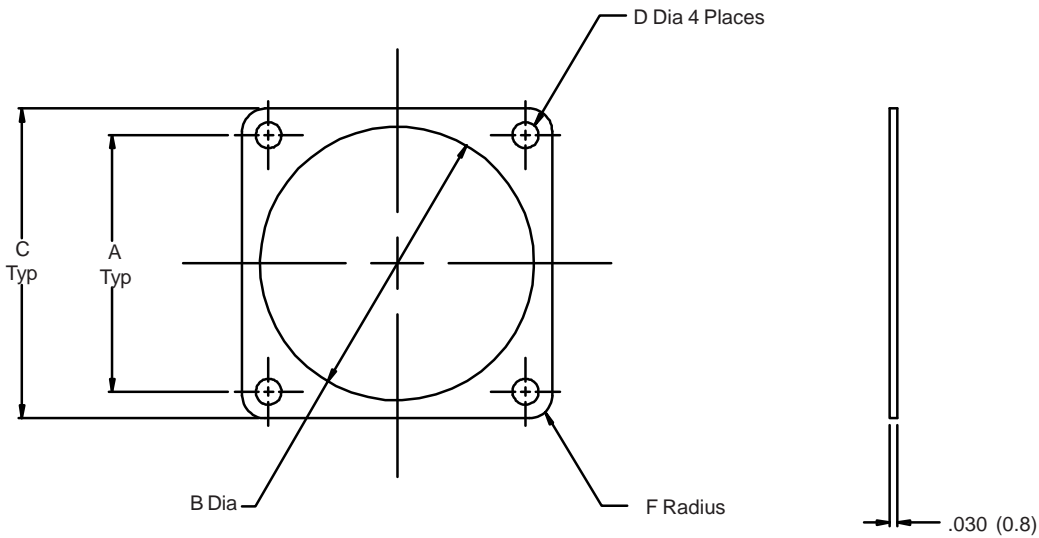
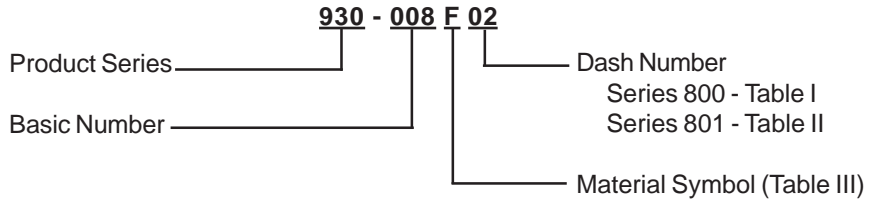


930-008 Gasket for Series 800 & 801 Flange Mount Receptacle Connector



NOTES:

1. Identified by bag and tag, 25 pieces maximum per bag.
2. Metric dimensions (mm) are indicated in parentheses.

930-008
Gasket for Series 800 & 801 Flange Mount
Receptacle Connector



Miscellaneous
 Accessories

TABLE I: SERIES 800

Dash No.	Series 800 Shell Size	A		B Dia		C		D Dia		F Rad	
		±.005	(0.1)	±.007	(0.2)	±.008	(0.2)	±.005	(0.1)	±.015	(0.4)
01	5	.363	(9.2)	.290	(7.4)	.527	(13.4)	.093	(2.4)	.078	(2.0)
02	6	.423	(10.7)	.350	(8.9)	.588	(14.9)	.093	(2.4)	.078	(2.0)
03	7	.483	(12.3)	.460	(11.7)	.650	(16.5)	.125	(3.2)	.078	(2.0)
04	8	.550	(14.0)	.530	(13.5)	.715	(18.2)	.125	(3.2)	.078	(2.0)
05	9	.719	(18.3)	.593	(15.1)	.938	(23.8)	.125	(3.2)	.105	(2.7)
06	12	.812	(20.6)	.718	(18.2)	1.031	(26.2)	.125	(3.2)	.105	(2.7)
07	14	.906	(23.0)	.968	(24.6)	1.125	(28.6)	.125	(3.2)	.105	(2.7)
08	15	.969	(24.6)	.968	(24.6)	1.219	(31.0)	.125	(3.2)	.105	(2.7)

TABLE I: SERIES 801

Dash No.	Series 801 Shell Size	A		B Dia		C		D Dia		F Rad	
		±.005	(0.1)	±.007	(0.2)	±.008	(0.2)	±.005	(0.1)	±.015	(0.4)
11	5	.363	(9.2)	.320	(8.1)	.530	(13.5)	.093	(2.4)	.078	(2.0)
12	6	.423	(10.7)	.375	(9.5)	.590	(15.0)	.093	(2.4)	.078	(2.0)
13	7	.483	(12.3)	.460	(11.7)	.650	(16.5)	.093	(2.4)	.078	(2.0)
14	-	-	-	-	-	-	-	-	-	-	-
15	9	.607	(15.4)	.560	(14.2)	.850	(21.6)	.125	(3.2)	.105	(2.7)
16	13	.812	(20.6)	.815	(20.7)	1.030	(26.2)	.125	(3.2)	.105	(2.7)
17	16	.981	(24.9)	1.010	(25.7)	1.219	(31.0)	.125	(3.2)	.105	(2.7)
18	17	1.060	(26.9)	1.070	(27.2)	1.280	(32.5)	.125	(3.2)	.105	(2.7)

TABLE III: MATERIAL

Symbol	Material Description	Color
C	Conductive — Metex	Off-White
F	Fluorosilicone	Blue
M	Conductive — Con-Sil II	Black
N	Neoprene	Black
S	Silicone	Red
V	Viton	Black

Metric Dimensions (mm) are indicated in parenthesis.