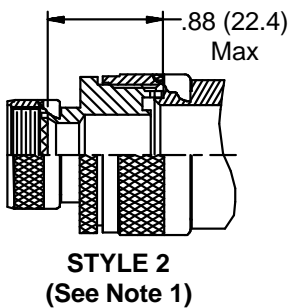
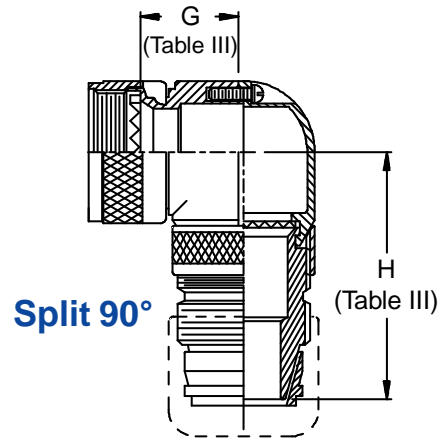
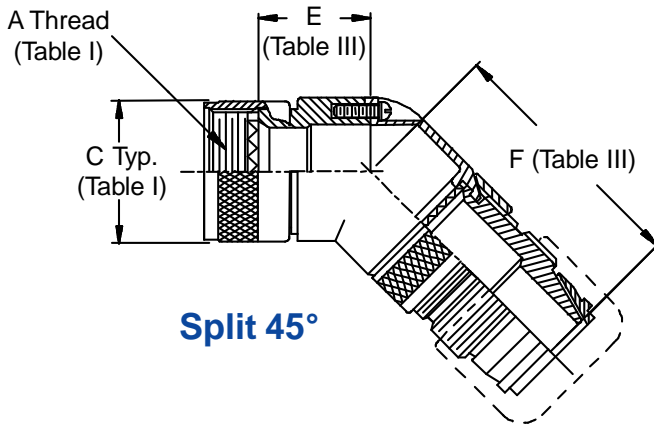
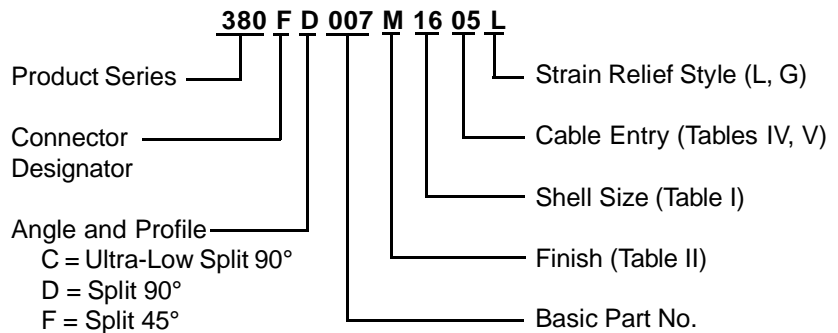


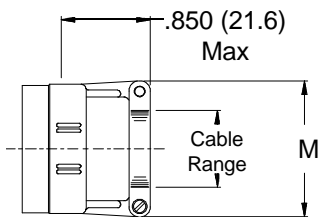
380-007
EMI/RFI Non-Environmental Backshell
Light-Duty with Strain Relief
Type C - Rotatable Coupling - Split Shell

**CONNECTOR
 DESIGNATORS
 A-F-H-L-S
 ROTATABLE
 COUPLING**

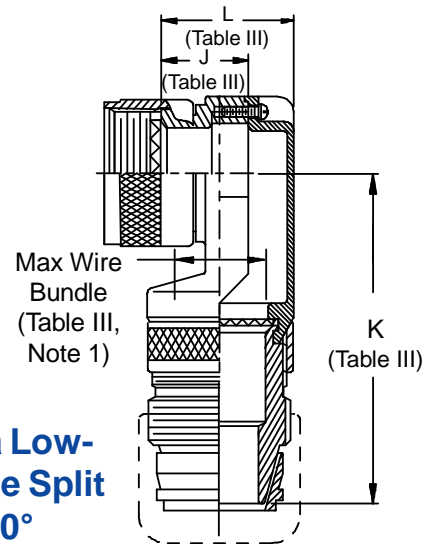
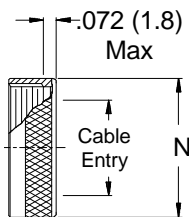
**TYPE C OVERALL
 SHIELD TERMINATION**



STYLE L
Light Duty
(Table IV)



STYLE G
Light Duty
(Table V)



380-007
EMI/RFI Non-Environmental Backshell
Light-Duty with Strain Relief
Type C - Rotatable Coupling - Split Shell



**See inside back cover fold-out or pages
 13 and 14 for unabridged Tables I and II.**

TABLE III: DIMENSIONS								
Shell Size	E Max	F Max	G Max	H Max	J Max	K Max	L Max	Function C Max Wire Bundle
08/09	.440 (11.2)	1.782 (45.3)	.680 (17.3)	1.722 (43.7)	.340 (8.6)	2.062 (52.4)	.681 (17.3)	.250 (6.4)
10/11	.500 (12.7)	1.845 (46.9)	.750 (19.1)	1.785 (45.3)	.270 (6.9)	2.225 (56.5)	.731 (18.6)	.375 (9.5)
12/13	.560 (14.2)	1.908 (48.5)	.810 (20.6)	1.848 (46.9)	.270 (6.9)	2.218 (56.3)	.731 (18.6)	.375 (9.5)
14/15	.620 (15.7)	1.935 (49.1)	.870 (22.1)	1.875 (47.6)	.280 (7.1)	2.285 (58.0)	.831 (21.1)	.500 (12.7)
16/17	.680 (17.3)	2.040 (51.8)	.930 (23.6)	1.980 (50.3)	.420 (10.7)	2.340 (59.4)	.981 (24.9)	.625 (15.9)
18/19	.750 (19.1)	2.095 (53.2)	1.000 (25.4)	2.035 (51.7)	.640 (16.3)	2.365 (60.1)	1.181 (30.0)	.625 (15.9)
20/21	.820 (20.8)	2.160 (54.9)	1.060 (26.9)	2.100 (53.3)	.640 (16.3)	2.370 (60.2)	1.181 (30.0)	.625 (15.9)
22/23	.880 (22.4)	2.220 (56.4)	1.120 (28.4)	2.160 (54.9)	.540 (13.7)	2.520 (64.0)	1.181 (30.0)	.750 (19.1)
24/25	.940 (23.9)	2.280 (57.9)	1.180 (30.0)	2.220 (56.4)	.540 (13.7)	2.360 (59.9)	1.181 (30.0)	.750 (19.1)

TABLE II: STANDARD FINISHES	
GLENAIR SYMBOL	FINISH
B	Cadmium Plate, Olive Drab
M	Electroless Nickel
NF	Cadmium Plate, Olive Drab Over Electroless Nickel
<small>See Inside Back Cover for Additional Finish Options</small>	

TABLE IV: CABLE ENTRY			
Dash No.	M Max	Cable Range	
		Min	Max
01	.781 (19.8)	.062 (1.6)	.125 (3.2)
02	.968 (24.6)	.125 (3.2)	.250 (6.4)
03	1.046 (26.6)	.250 (6.4)	.375 (9.5)
04	1.156 (29.4)	.250 (6.4)	.500 (12.7)
05	1.218 (30.9)	.375 (9.5)	.625 (15.9)
06	1.343 (34.1)	.500 (12.7)	.750 (19.1)
07	1.468 (37.3)	.625 (15.9)	.875 (22.2)
08	1.593 (40.5)	.625 (15.9)	1.000 (25.4)
09	1.718 (43.6)	.750 (19.1)	1.125 (28.6)
10	1.843 (46.8)	.875 (22.2)	1.250 (31.8)

TABLE V: CABLE ENTRY		
Dash No.	N Max	Cable Entry Max
01	.593 (15.1)	.125 (3.2)
02	.718 (18.2)	.250 (6.4)
03	.843 (21.4)	.375 (9.5)
04	.968 (24.6)	.500 (12.7)
05	1.109 (28.2)	.625 (15.9)
06	1.218 (30.9)	.750 (19.1)
07	1.343 (34.1)	.875 (22.2)
08	1.468 (37.3)	1.000 (25.4)
09	1.593 (40.5)	1.125 (28.6)
10	1.718 (43.6)	1.250 (31.8)

1. When maximum cable entry (page 21) is exceeded, Style 2 will be supplied (not available in Function C). Dimensions E, F, G and H will not apply. Please consult factory.
2. Metric dimensions (mm) are indicated in parentheses.
3. Cable range is defined as the accommodations range for the wire bundle or cable. Dimensions shown are not intended for inspection criteria.
4. Angular function "C", low-profile split elbow, not available with "S" connector designator.