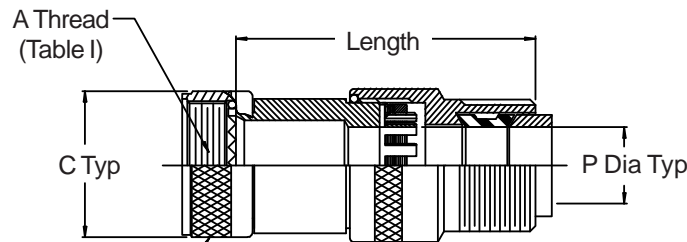
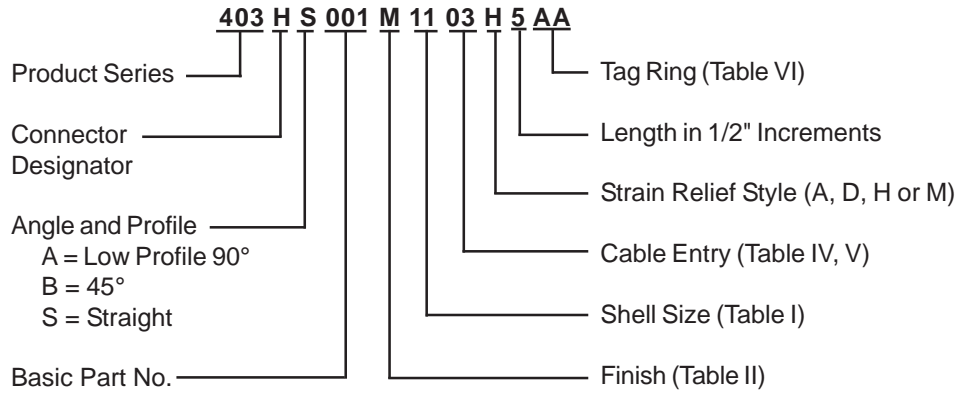
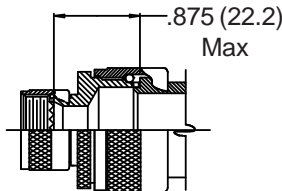


CONNECTOR DESIGNATORS
A-F-L-H

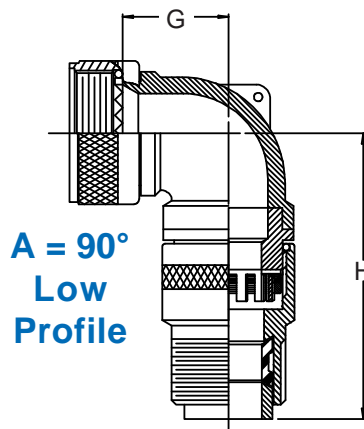
ROTATABLE COUPLING



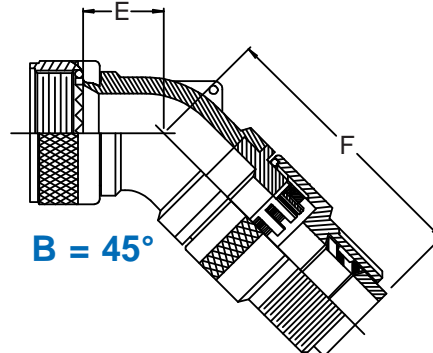
S = Straight



Style II

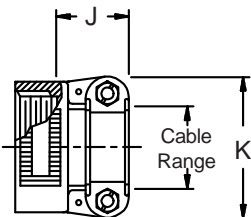


**A = 90°
 Low Profile**

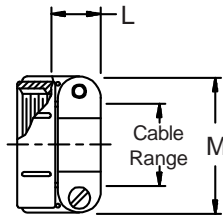


B = 45°

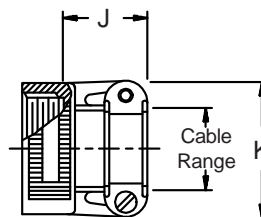
STYLE H
 Heavy Duty
 (Table IV)



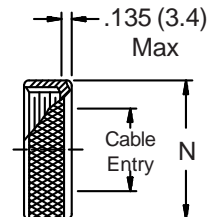
STYLE A
 Medium Duty
 (Table V)



STYLE H
 Medium Duty
 (Table IV)



STYLE D
 Medium Duty
 (Table V)



403-001
TAG® Ring Backshell
Environmental
Rotatable Coupling - Low Profile



See inside back cover fold-out or pages 13 and 14 for Tables I and II.

TABLE III: ELBOW DIMENSIONS

Shell Size		Conn. Desig.		E	F	G	H		
A-F-L	H	Max	Max	Max	Max	Max	Max		
08	09	.457	(19.1)	2.680	(68.1)	.500	(12.7)	2.680	(68.1)
10	11	.520	(20.6)	3.070	(78.0)	.595	(15.1)	2.800	(71.1)
12	13	.582	(22.1)	3.130	(79.5)	.610	(15.5)	3.160	(80.3)
14	15	.645	(23.4)	3.230	(82.0)	.700	(17.8)	3.230	(82.0)
16	17	.738	(24.9)	3.330	(84.6)	.885	(22.5)	3.230	(82.0)
18	19	.926	(25.9)	3.430	(87.1)	.975	(24.8)	3.560	(90.4)
20	21	.926	(27.4)	3.590	(91.2)	.975	(24.8)	3.560	(90.4)
22	23	1.020	(29.0)	3.720	(94.5)	1.125	(28.6)	3.650	(92.7)
24	25	1.020	(30.5)	3.720	(94.5)	1.125	(28.6)	3.650	(92.7)
28		1.145	(19.1)	3.890	(98.8)	1.225	(31.1)	3.940	(100.1)
32		1.207	(30.7)	3.990	(101.3)	1.575	(40.0)	4.190	(106.4)
36		1.238	(31.4)	4.080	(103.6)	1.775	(45.1)	4.190	(106.4)

TABLE IV: CABLE ENTRY

Dash No.	J	K	Cable Range	
	Max	Max	Min	Max
04	.780 (19.8)	.957 (24.3)	.125 (3.2)	.312 (7.9)
06	.780 (19.8)	1.145 (29.1)	.250 (6.4)	.437 (11.1)
08	.780 (19.8)	1.332 (33.8)	.312 (7.9)	.562 (14.3)
10	.780 (19.8)	1.332 (33.8)	.350 (8.9)	.625 (15.9)
12	.811 (20.6)	1.551 (39.4)	.500 (12.7)	.750 (19.1)
16	.905 (23.0)	1.770 (45.0)	.625 (15.9)	.937 (23.8)
20	1.092 (27.7)	2.113 (53.7)	.875 (22.2)	1.250 (31.8)
24	1.124 (28.5)	2.363 (60.0)	1.000 (25.4)	1.375 (34.9)
28	1.399 (35.5)	2.770 (70.4)	1.250 (31.8)	1.625 (41.3)
32	1.399 (35.5)	3.020 (76.7)	1.437 (36.5)	1.875 (47.6)

TABLE VI: CLAMP

Sym	Size	P Dia	Max Clamp
AA	2	.250 (6.4)	08
A	3	.357 (9.1)	10
B	4	.500 (12.7)	12
C	5	.625 (15.9)	16
D	6	.750 (19.1)	20
E	7	.875 (22.2)	20
F	8	1.000 (25.4)	24
G	9	1.125 (28.6)	28
H	10	1.250 (31.8)	32
J	11	1.375 (34.9)	40

TABLE V: CABLE ENTRY

Dash No.	L	M	N	Cable Range	
	Max	Max	Max	Min	Max
03	.760 (19.3)	.843 (21.4)	.630 (16.0)	.156 (4.0)	.250 (6.4)
04	.760 (19.3)	.906 (23.0)	.755 (19.2)	.188 (4.8)	.312 (7.9)
06	.760 (19.3)	1.093 (27.8)	.942 (23.9)	.281 (7.1)	.438 (11.1)
08	.760 (19.3)	1.187 (30.1)	1.067 (27.1)	.344 (8.7)	.562 (14.3)
10	.760 (19.3)	1.281 (32.5)	1.192 (30.3)	.375 (9.5)	.625 (15.9)
12	.760 (19.3)	1.500 (38.1)	1.380 (35.1)	.438 (11.1)	.750 (19.1)
16	1.073 (27.3)	1.719 (43.7)	1.535 (39.0)	.562 (14.3)	.938 (23.8)
20	1.323 (33.6)	2.062 (52.4)	1.848 (46.9)	.750 (19.1)	1.250 (31.8)
24	1.323 (33.6)	2.312 (58.7)	2.255 (57.3)	.781 (19.8)	1.375 (34.9)
28	1.572 (39.9)	2.719 (69.1)	2.505 (63.5)	.969 (24.6)	1.625 (41.3)
32	1.572 (39.9)	2.969 (75.4)	2.755 (70.0)	1.125 (28.6)	1.875 (47.6)
40	1.572 (39.9)	2.531 (64.3)	3.255 (82.7)	1.469 (37.3)	2.375 (60.3)

- Standard minimum length for Style I is 2.5 inches, and for Style II is 3 inches. For shorter length, consult factory. (Applies to Straight configuration only).
- Metric dimensions (mm) are indicated in parentheses.
- When maximum cable range (Table III) is exceeded, Style II will be supplied. Note: E, F, G and H do not apply to Style II.
- Cable range is defined as the accommodations range for the wire bundle or cable. Dimensions shown are not intended for inspection criteria.