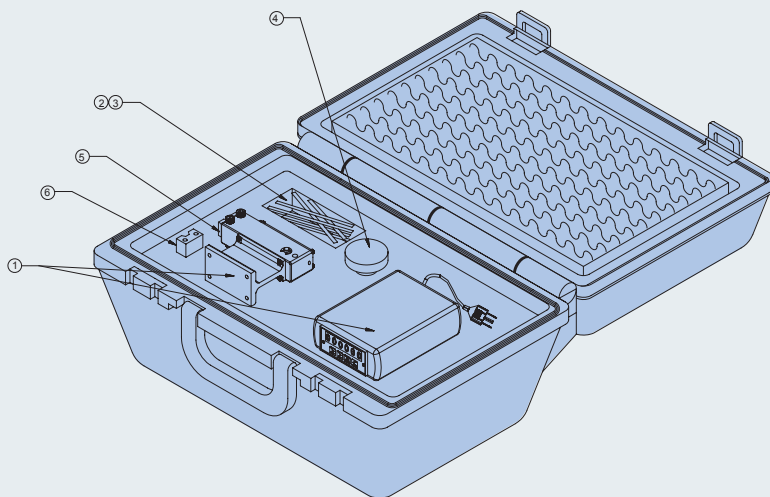


# Band-Master™ ATS

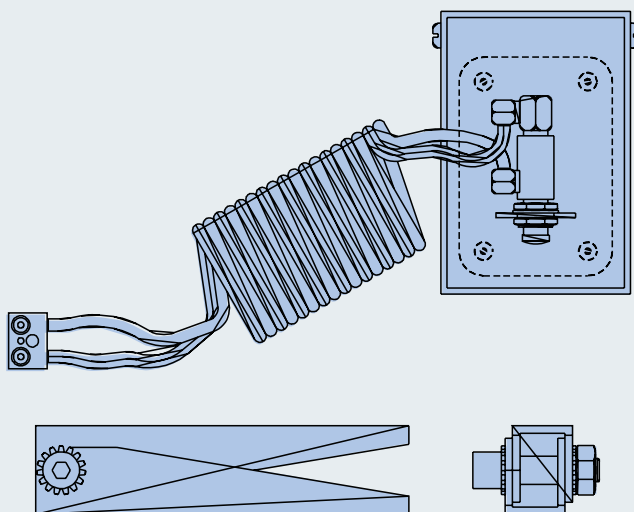
## Calibration Kits, Accessories and Pneumatic Tools

### Calibration Kits and Accessories



#### 601-200 Calibration Kit For All Banding Tools

*The 601-200 Calibration Kit* includes the (1) 601-200-3 calibration device, (2) fifty 601-203 micro test bands, (3) fifty 601-202 standard test bands, (4) 601-205 calibration key, and the (5) standard tool adapter 601-206 for 601-100, 601-104 installed (6) micro tool adapter 601-207 for 601-101, 601-105. Range of the calibration device is 0 to 500 lbs, and accuracy is calibrated to  $\pm 1$  lbs. at factory. Digital readout in .1 lb. increments. Meter supplied with RS0232 serial communication port on rear of meter case. Serial/USB adapter cable not supplied.



#### 601-400 Foot Pedal Control for 601-104 and 601-105 Pneumatic Banding Tools

*The 601-400 Foot Pedal Control* frees both hands to help assure more accurate, reliable and faster shield terminations.

Metric Dimensions (mm) are indicated in parentheses.

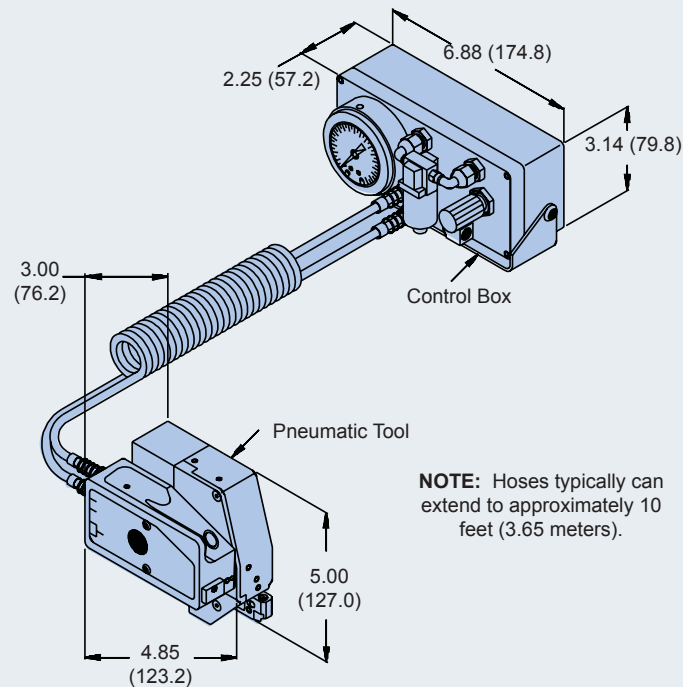


## High Volume Pneumatic Bench Mount Units and Calibration Kits Available for Both Micro and Standard Band Systems

### Pneumatic Tools

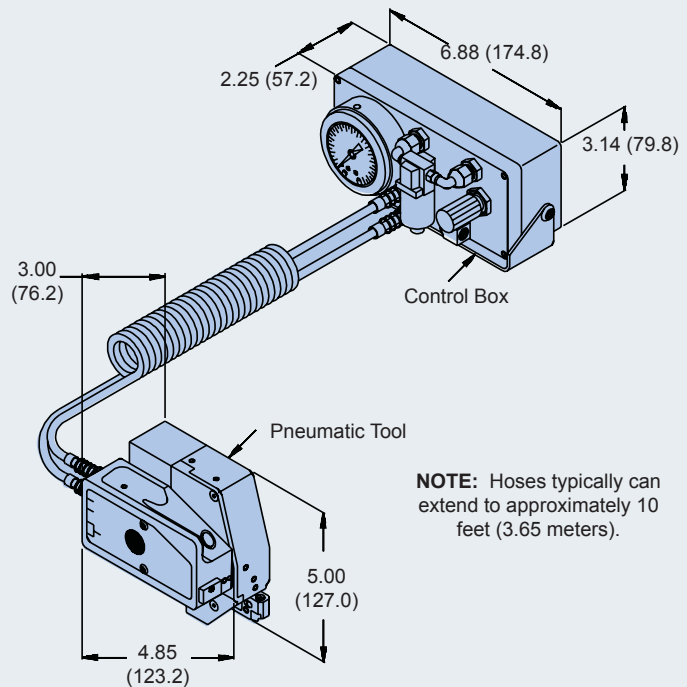
#### 601-104 Pneumatic Standard Banding Tool

*The 601-104 Standard Banding Tool* accommodates standard 601-005, 601-040 and 601-049 bands in a tension range of from 100-180 lbs. Calibrate at 150 lbs.  $\pm$  5 lbs for most shield terminations. Weight of the tool is 2.52 lbs (1.14 Kg); the control box weighs 2.74 lbs (1.24 Kg).



#### 601-105 Pneumatic Micro Banding Tool

*The 600-104 Pneumatic Micro Banding Tool* accommodates 601-024, 601-060 and 601-064 Micro Bands in a tension range of from 50 to 80 lbs. Calibrate at 75 lbs.  $\pm$  2 lbs. -7 lbs. for most shield terminations. Weight of the tool is 2.52 lbs (1.14 Kg); the control box weighs 2.74 lbs (1.24 Kg).



Metric Dimensions (mm) are indicated in parentheses.