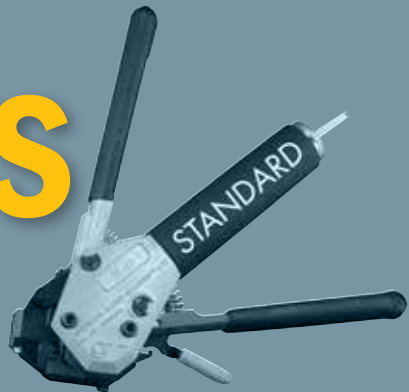


Band-Master™ ATS

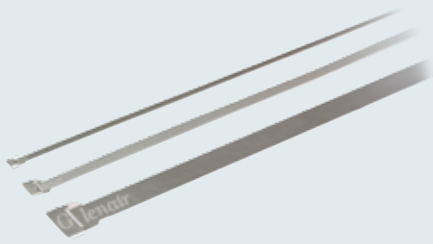
The Advanced Termination System for Interconnect Cable Shielding



High-volume pneumatic tool for bench use



Easy-to-use manual tools with built-in calibration counter



3 lengths and 3 widths of EMI braided termination bands

OCTOBER 2016

Band-Master™ ATS

Manual Tools and Bands



Standard Banding Tool



The 601-100 Band-Master™ ATS Standard Tool with Counter for Standard Bands

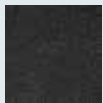
Weighs approximately 1.30 lbs., and is designed for .240" width clamping bands in a tension range from 100 to 180 lbs. Calibrate at 150 lbs. ± 5 lbs. for most shield terminations. Tool and band should never be lubricated.

The 600-058 QPL Qualified (M81306/1A) Standard Banding Tool without Counter



Weighs 1.22 and is designed for .240" width clamping bands in a tension range from 100 to 180 lbs. Calibrate at 150 lbs. ± 5 lbs. for most shield terminations. Tool and band should never be lubricated (not shown).

Color-coded tool handle:



= Standard; Black

Bands	Band-Master™ ATS Standard Band Selection					
	Length		Part Number		Fits Diameter	
	In.	mm.	Flat	Pre-Coiled	In.	mm.
Short Standard	9.0	228.6	601-005	601-006	1.0	25.4
Medium Standard	14.25	361.95	601-040	601-041	1.8	45.7
Long Standard	18.0	457.2	601-049	601-050	2.5	63.5

Cable Pull Strength for BandMaster™ ATS Standard Bands							
Name	Material Type	Band Width		Band Thickness		Calibration Setting	Cable Pull Strength
		In	mm	In	mm		
Standard	300 SS	0.240	6.10	.020	.51	150 ± 5 lbs	per AS85049/128

Bands	QPL Qualified Standard Band Selection					
	Length		Mil Spec Part Number		Fits Diameter	
	in.	mm.	Flat	Pre-Coiled	in.	mm.
Standard Band	14.25	361.95	M85049/128-3	M85049/128-4	1.8	45.7

Cable Pull Strength for Standard QPL Qualified Bands							
Name	Material Type	Band Width		Band Thickness		Calibration Setting	Cable Pull Strength
		In	mm	In	mm		
Standard	300 SS	0.240	6.10	.020	.51	150 ± 5 lbs	per AS85049/128

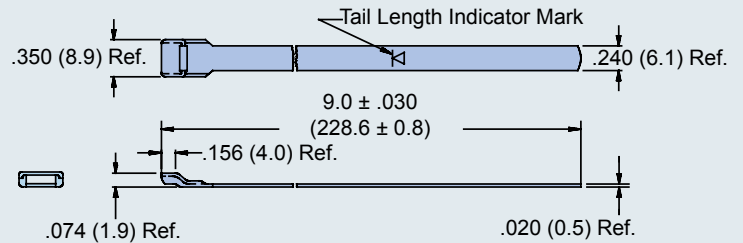


Standard Bands

Short Flat 601-005

Short Precoiled 601-006

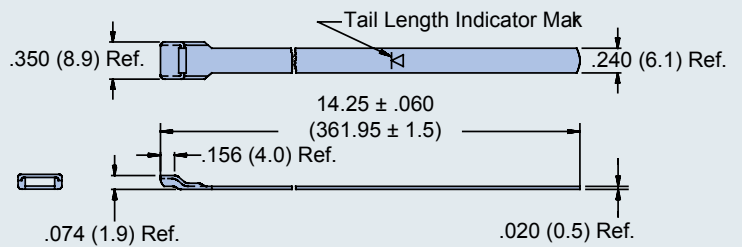
Standard bands are precision constructed of 300 Series SST passivate IAW AMS 2700. Short standard bands are 9.00 inches (228.6) in length and designed for use with the Band-Master™ ATS 60-100 manual banding tool or the 601-106 pneumatic banding tool. Bands should always be double wrapped and will accommodate diameters up to approximately 1.0 inches (25.4).



Medium Flat 601-040

Medium Precoiled 601-041

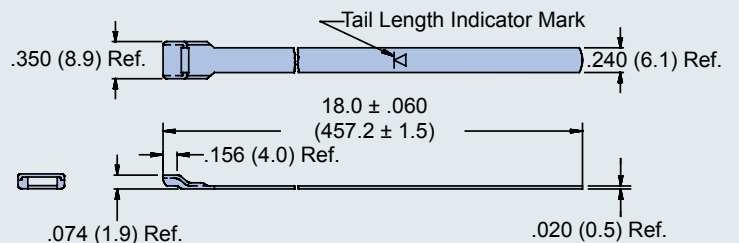
Standard bands are precision constructed of 300 Series SST passivate IAW AMS 2700. Medium standard bands are 14.25 inches (361.95) in length and designed for use with the Band-Master™ ATS 601-100 manual banding tool or the 601-106 pneumatic banding tool. Bands should always be double wrapped and will accommodate diameters up to approximately 1.8 inches (45.7).



Long Flat 601-049

Long Precoiled 601-050

Standard bands are precision constructed of 300 Series SST passivate IAW AMS 2700. Long standard bands are 18.0 inches (457.2) in length and designed for use with the Band-Master™ ATS 601-100 manual banding tool or the 601-106 pneumatic banding tool. Bands should always be double wrapped and will accommodate diameters up to approximately 2.5 inches (63.5).



Band-Master™ ATS

Manual Tools and Bands



Slim Standard Banding Tool

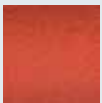


Choose Glenair Slim Standard Bands for size and weight savings. Slim bands are 50% lighter with 50% lower profile than our standard bands, while maintaining similar performance.

The 601-109 Band-Master™ ATS Slim Standard Tool with Counter for Slim Standard Bands

weighs 1.18 lbs., and is designed for slim standard flat .24" width clamping bands in a tension range from 50 to 100 lbs. Calibrate at 100 lbs. ± 3 lbs. for most shield terminations. Tool and band should never be lubricated.

Color-coded tool handle



= Slim Standard; Orange

Bands	Band-Master™ ATS Slim Standard Band Selection					
	Length		Part Number		Fits Diameter	
	in.	mm.	Flat	Pre-Coiled	in.	mm.
Short Slim Standard	9.0	228.6	601-570	601-571	.94	23.9
Medium Slim Standard	14.25	361.95	601-572	601-573	1.8	45.7

Cable Pull Strength for Band-Master™ ATS Slim Standard Bands							
Name	Material Type	Band Width		Band Thickness		Tool Setting	Cable Pull Strength
		In	mm	In	mm		
Slim Standard	300 Series SST	0.240	6.09	.010	.25	100 lbs. ± 3 lbs.	150 lbs.*

* Slim Bands are work hardened to achieve higher cable pull force

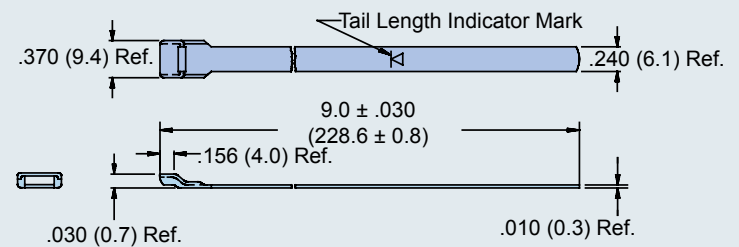


Slim Standard Bands

Short Flat 601-570

Short Precoiled 601-571

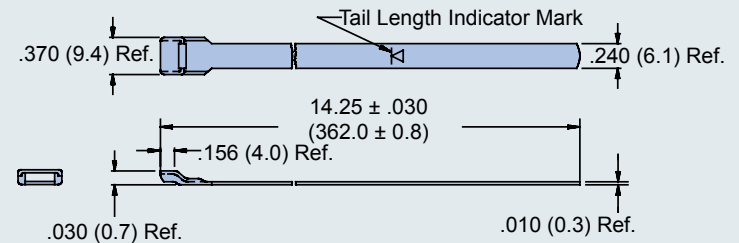
Slim Standard Bands are 50% lighter and 50% lower-profile than standard bands. They are precision constructed of work hardened, 300 Series SST passivate IAW AMS 2700. Short slim bands are 9.00 inches (228.6) in length and designed for use with the 601-109 Band-Master™ ATS hand banding tool or the 601-110 pneumatic tool. Bands should always be double wrapped and will accommodate diameters up to approximately .94 inches (23.9).



Medium Flat 601-572

Medium Precoiled 601-573

Slim Standard Bands are 50% lighter and 50% lower-profile than standard bands. They are precision constructed of work hardened, 300 Series SST passivate IAW AMS 2700. Medium slim bands are 14.25 inches (228.6) in length and designed for use with the 601-109 Band-Master™ ATS hand banding tool or the 601-110 pneumatic tool. Bands should always be double wrapped and will accommodate diameters up to approximately 1.8 inches (45.7)



Band-Master™ ATS

Manual Tools and Bands



Micro Banding Tool



The 601-101 Band-Master™ ATS Micro Tool with Counter for Micro Bands

Weighs approximately 1.20 lbs., and is designed for micro .120" width clamping bands in a tension range from 50 to 85 lbs. Calibrate at 80 lbs ±3 lbs. for most shield terminations. Tool and band should never be lubricated.

The 600-061 QPL Qualified (M81306/1B) Micro Banding Tool without Counter



Weighs 1.11 and is designed for micro .120" width clamping bands in a tension range from 60 to 85 lbs. Calibrate at 80 lbs ±5 lbs. for most shield terminations. Tool and band should never be lubricated (not shown).

Color-coded tool handle:



= Micro; Blue

Band-Master™ ATS Micro Band Selection						
Bands	Length		Part Number		Fits Diameter	
	in.	mm.	Flat	Pre-Coiled	in.	mm.
Short Micro	5.0	127.0	601-024	601-025	0.5	12.7
Medium Micro	8.125	206.38	601-060	601-061	.88	22.4
Long Micro	14.25	361.95	601-064	601-065	1.8	45.7

Cable Pull Strength for Band-Master™ ATS Micro Bands							
Name	Material Type	Band Width		Band Thickness		Calibration Setting	Cable Pull Strength
		In	mm	In	mm		
Micro	300 SS	0.120	3.05	.015	.38	80 ±5 lbs	per AS85049/128

QPL Qualified Micro Band Selection						
Bands	Length		Part Number		Fits Diameter	
	in.	mm.	Flat	Pre-Coiled	in.	mm.
Standard Micro	8.125	206.38	M85049/128-7	M85049/128-8	.88	22.4

Cable Pull Strength for Micro QPL Qualified Bands							
Name	Material Type	Band Width		Band Thickness		Calibration Setting	Cable Pull Strength
		In	mm	In	mm		
Micro	300 SS	0.120	3.05	.015	.38	80 ±5 lbs	per AS85049/128

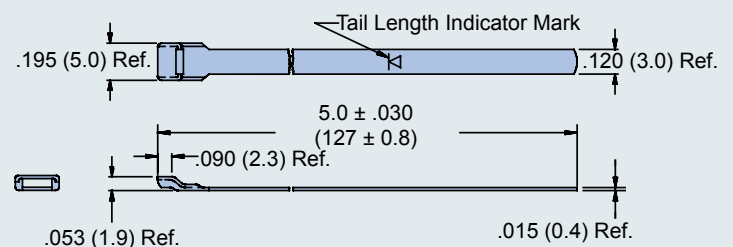


Micro Bands

Short Flat 601-024

Short Precoiled 601-025

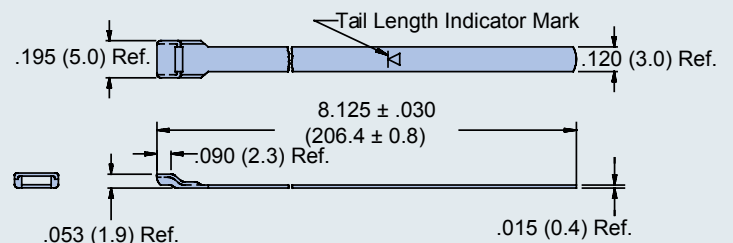
Micro Bands are precision constructed of 300 Series SST passivate IAW AMS 2700. Short micro bands are 5.00 inches (127) in length and designed for use with the Band-Master™ 601-101 hand banding tool or the 601-107 pneumatic banding tool. Bands should always be double wrapped and will accommodate diameters up to approximately .5 inches (12.7).



Medium Flat 601-060

Medium Precoiled 601-061

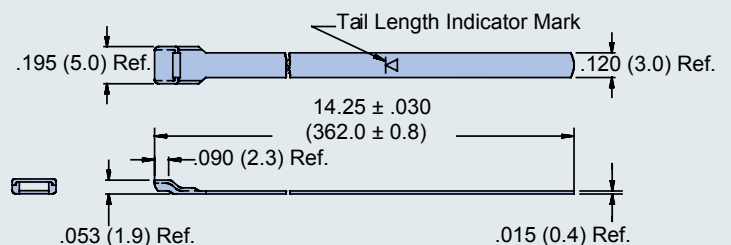
Micro Bands are precision constructed of 300 Series SST passivate IAW AMS 2700. Medium micro bands are 8.00 inches (203.2) in length and designed for use with the Band-Master™ 601-101 hand banding tool or the 601-107 pneumatic banding tool. Bands should always be double wrapped and will accommodate diameters up to approximately .88 inches (22.4).



Long Flat 601-064

Long Precoiled 601-065

Micro Bands are precision constructed of 300 Series SST passivate IAW AMS 2700. Long Micro Bands are 14.00 inches (355.6) in length and designed for use with the Band-Master™ 601-101 hand banding tool or the 601-107 pneumatic banding tool. Bands should always be double wrapped and will accommodate diameters up to approximately 1.88 inches (47.8).



Band-Master™ ATS

Manual Tools and Bands



Nano Banding Tool



The 601-108 Band-Master™ ATS Nano Tool with Counter for Nano Bands

Weighs 1.15 lbs., and is designed for nano flat .075" width clamping bands in a tension range from 20 to 50 lbs. Calibrate at 50 lbs. ± 3 lbs. for most shield terminations. Tool and band should never be lubricated.

Color-coded tool handle:



= Nano; Green

Bands	Band-Master™ ATS Nano Band Selection					
	Length		Part Number		Fits Diameter	
	in.	mm.	Flat	Pre-Coiled	in.	mm.
Short Nano	6.0	152.4	601-500	601-501	.60	15.2
Medium Nano	9.0	228.6	601-504	601-505	.94	23.9
Long Nano	14.0	355.6	601-508	601-509	1.8	45.7

Cable Pull Strength for Band-Master™ ATS Nano Bands							
Name	Material Type	Band Width		Band Thickness		Tool Setting	Cable Pull Strength
		In.	mm.	In.	mm.		
Nano	300 SS	0.075	1.91	.009	.23	50 ±3 lbs	50 lbs*

* Nano Bands are work hardened to achieve higher cable pull force

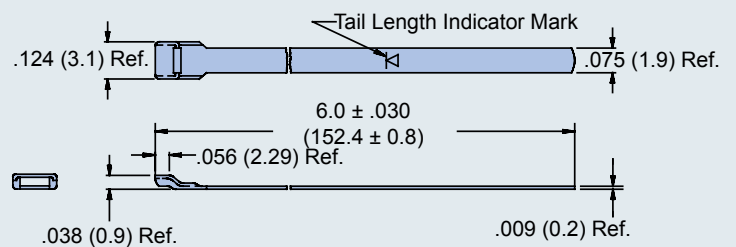


Nano Bands

Short Flat 601-500

Short Precoiled 601-501

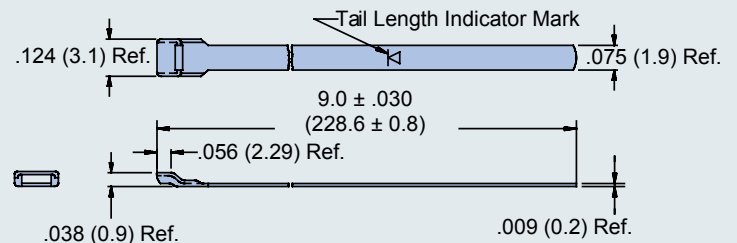
Nano Bands are precision constructed of work hardened, 300 Series SST passivate IAW AMS 2700. Short nano bands are 6.00 inches (152.4) in length and designed for use with the 601-108 Band-Master™ ATS hand banding tool or the 601-118 pneumatic banding tool. Bands should always be double wrapped and will accommodate diameters up to approximately .60 inches (15.2).



Medium Flat 601-504

Medium Precoiled 601-505

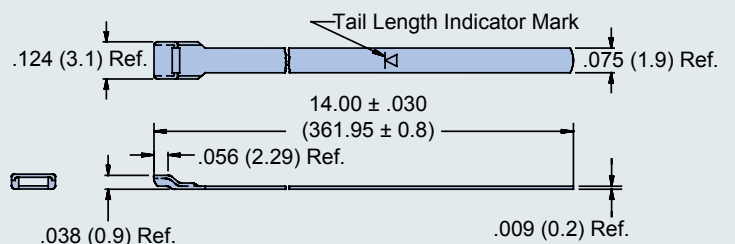
Nano Bands are precision constructed of work hardened, 300 Series SST passivate IAW AMS 2700. Medium nano bands are 9.00 inches (228.6) in length and designed for use with the 601-108 Band-Master™ ATS hand banding tool or the 601-118 pneumatic banding tool. Bands should always be double wrapped and will accommodate diameters up to approximately .94 inches (23.9).



Long Flat 601-508

Long Precoiled 601-509

Nano Bands are precision constructed of work hardened, 300 Series SST passivate IAW AMS 2700. Long nano bands are 14.25 inches (361.95) in length and designed for use with the 601-108 Band-Master™ ATS hand banding tool or the 601-118 pneumatic banding tool. Bands should always be double wrapped and will accommodate diameters up to approximately 1.8 inches (45.7).

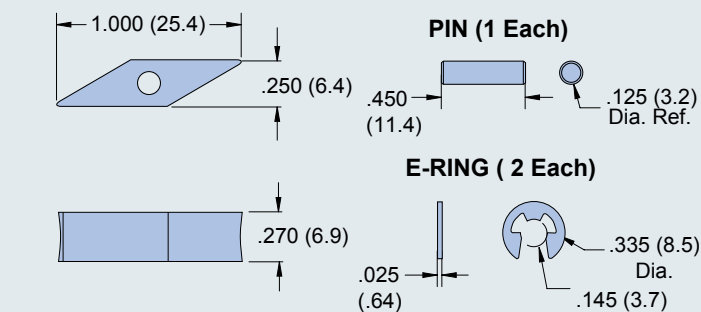


Band-Master™ ATS

Replacement Blades for Manual Banding Tools



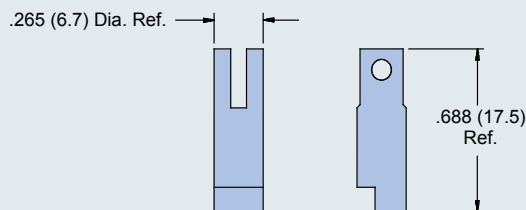
Cut Off Blade Kits and Knives



601-302 Standard Cut-Off Blade Kit

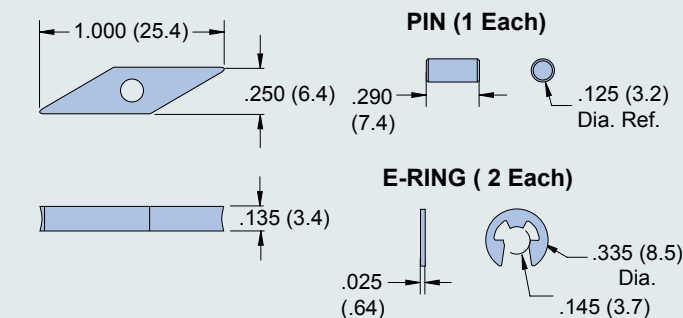
The **601-302 Standard Cut-Off Blade Kit** consists of the blade, two E-rings and one pin, providing all parts needed to replace the cut-off blade on the 601-100 Band-Master™ ATS standard manual banding tools and the 601-106 standard pneumatic banding tool. Material is heat treated steel finished with black oxide and rust preventative.

Note: E-Rings supplied are for body of tool



601-301 Standard Cutter Knife

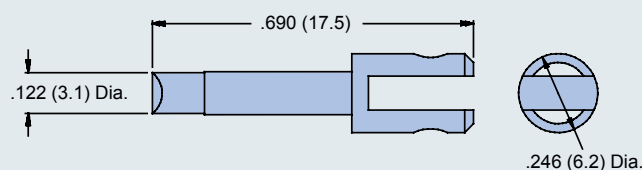
The **601-301 Standard Cutter Knife** replaces the cutter knife on the 601-100 Band-Master™ ATS standard manual banding tool and the 601-106 standard pneumatic banding tool. Material is heat treated steel finished with black oxide and rust preventative.



601-305 Micro Cut-Off Blade Kit

The **601-305 Micro Cut-Off Blade Kit** consists of the blade, two E-rings and one pin, providing all parts needed to replace the cut-off blade on the 601-101 Micro Band-Master™ ATS manual banding tool and the 601-107 pneumatic micro banding tool. Material is heat treated steel finished with black oxide and rust preventative.

Note: E-Rings supplied are for body of tool

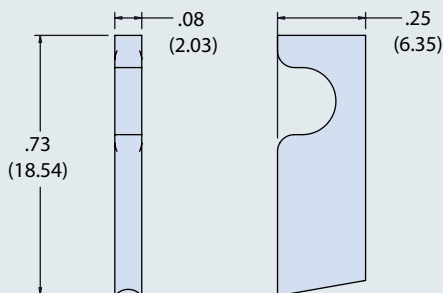
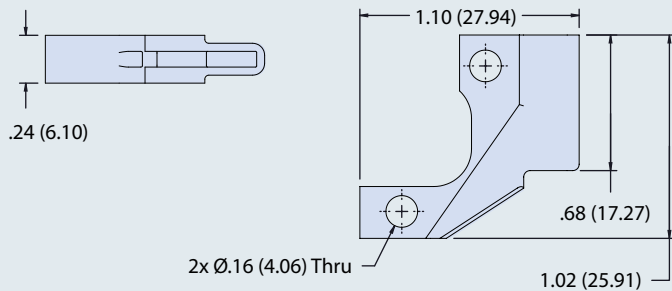
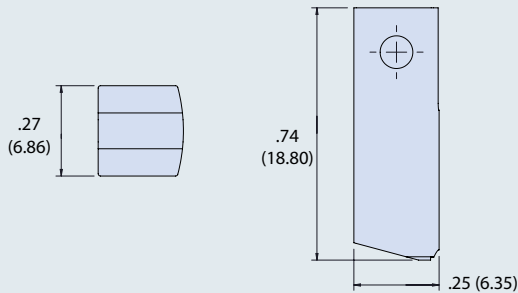
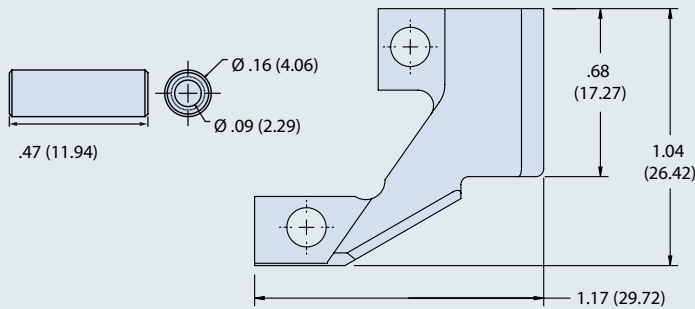


601-303 Micro Cutter Knife

The **601-303 Micro Cutter Knife** replaces the cutter knife on the 601-101 Micro Band-Master™ ATS Micro manual banding tool, and the 600-107 pneumatic banding tool. Material is heat treated steel finished with black oxide and rust preventative.



Cut Off Blade Kits and Knives



601-312 Slim Standard Cut-Off Blade Kit

The 601-312 Standard Cut-Off Blade Kit consists of the blade, two pins and screws providing all parts needed to replace the cut-off blade on the 601-109 Band-Master™ ATS Slim Standard manual banding tools and the 601-110 standard pneumatic banding tool. Material is heat treated steel finished with black oxide and rust preventative.

601-313 Slim Standard Cutter Knife

The 601-313 Standard Cutter Knife replaces the cutter knife on the 601-109 Band-Master™ ATS Slim Standard manual banding tool and the 601-110 Standard pneumatic banding tool. Material is heat treated steel finished with black oxide and rust preventative.

601-316 Nano Cut-Off Blade

The 601-316 Nano Cut-Off Blade consists of the blade needed to replace the cut-off blade on the 601-108 Nano Band-Master™ ATS manual banding tool and the 601-118 pneumatic micro banding tool. Material is heat treated steel finished with black oxide and rust preventative.

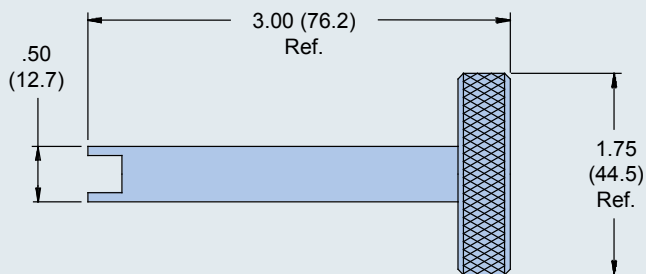
601-315 Nano Knife

The 601-315 Nano Cutter Knife replaces the cutter knife on the 601-108 Nano Band-Master™ ATS manual banding tool, and the 600-118 pneumatic banding tool. Material is heat treated steel finished with black oxide and rust preventative.

Band-Master™ ATS

Calibration Tools, Kits and Accessories

Calibration Keys and Tension Gauges



601-205 Calibration Key

The **601-205 Calibration Key** is designed for use with 600-058, 600-061, 601-211 and 601-212 manual banding tools. Material is black anodized aluminum alloy. One full turn clockwise will advance the tension range approximately 1.0 - 2.5 lbs, a counter-clockwise turn will decrease tension by the same amount.



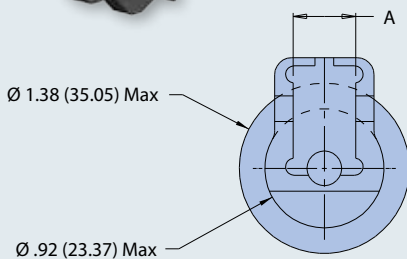
Verification inspection indicator window

Note: the band tool is within tolerance if no part of the stripes (above or below) appear in the verification inspection indicator window



601-211 and 601-212 Tension Gauge

The **601-211 (M81306/1C) and 601-212 (M81306/1D) Tension Gauge** is used to check and calibrate the manual tool to values noted on calibration sticker. Constructed of hardened steel.



Above tolerance limit stripe (not visible when gauge is in the fixed position)

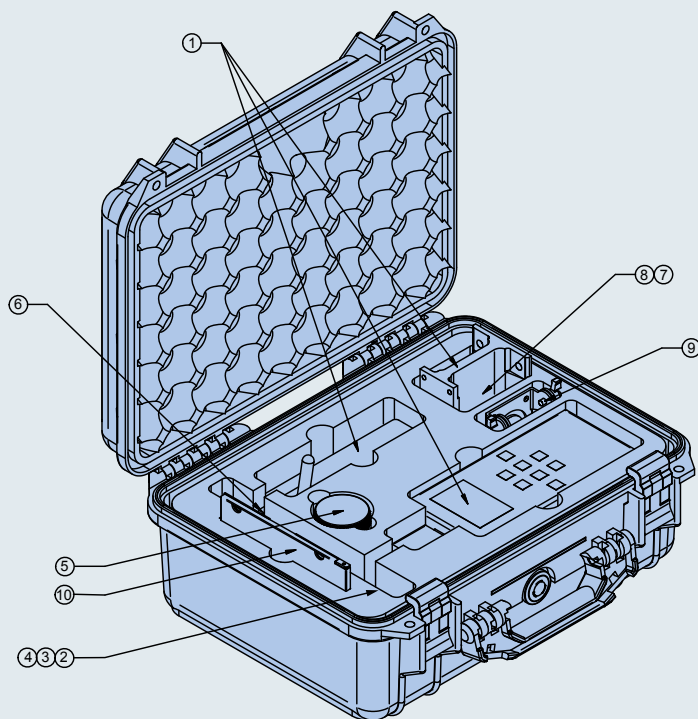
Below tolerance limit stripe (in view when gauge is in the fixed position)



Part No.	SAE Part No. (Ref)	A +.015 (0.38) -.005 (0.13)	Used with Manual Tool P/N
601-211	M81306/1C	.460 (11.68)	Standard 601-100 • 600-058 (M81306/1-01 Kit)
601-212	M81306/1D	.360 (9.14)	Micro 601-101 • 600-061 (M81306/1-02 Kit)
601-205	M81306/1E	N/A	Both



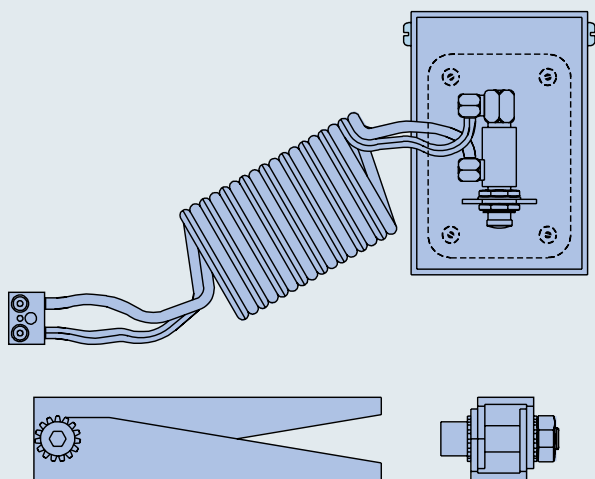
Calibration Kits and Accessories



601-200 Calibration Kit For All Banding Tools

The 601-200 Calibration Kit includes the (1) 601-200-3 calibration device, (2) fifty 601-203 Micro test bands, (3) fifty 601-202 Standard test bands, (4) fifty 601-217 Nano test bands, (5) 601-205 calibration key, (6) Standard tool adapter 601-218 for 601-100, 600-058 installed (7) Standard Pneumatic tool adapter 601-219 for 600-067, 601-104 (8) Micro tool adapter 601-220 for 601-101, 601-105, 601-108, 600-061, and 600-068 (9) Adjustable mounting bracket for meter (10) Data logging software

Range of the calibration device is 0 to 500 lbs, and accuracy is calibrated to ± 1 lbs. at factory. Digital readout in .1 lb. increments. Meter supplied with RS-232 serial communication port on rear of meter case. Serial/USB adapter cable included.



601-400 Foot Pedal Control for 601-106, 601-107, 601-110 and 601-118 Pneumatic Banding Tools

The 601-400 Foot Pedal Control frees both hands to help assure more accurate, reliable and faster shield terminations.

Band-Master™ ATS

Pneumatic Banding Tools

Pneumatic Banding Tools

High-Volume Pneumatic Bench-Mount Units and Calibration Kits Available for Standard, Micro, Nano and Slim Band Termination Systems

601-106 Standard Pneumatic Banding Tool with Counter

The 601-106 Standard Pneumatic Banding Tool accommodates 601-005, 601-006, 601-052 and 601-054 standard bands in a tension range of from 100-180 lbs. Calibrate at 150 ± 5 lbs for most shield terminations. Weight of the tool is 2.52 lbs (1.14 Kg); the control box weighs 3.51 lbs (1.59 Kg). Includes 601-400 foot

601-110 Slim Standard Pneumatic Banding Tool with Counter

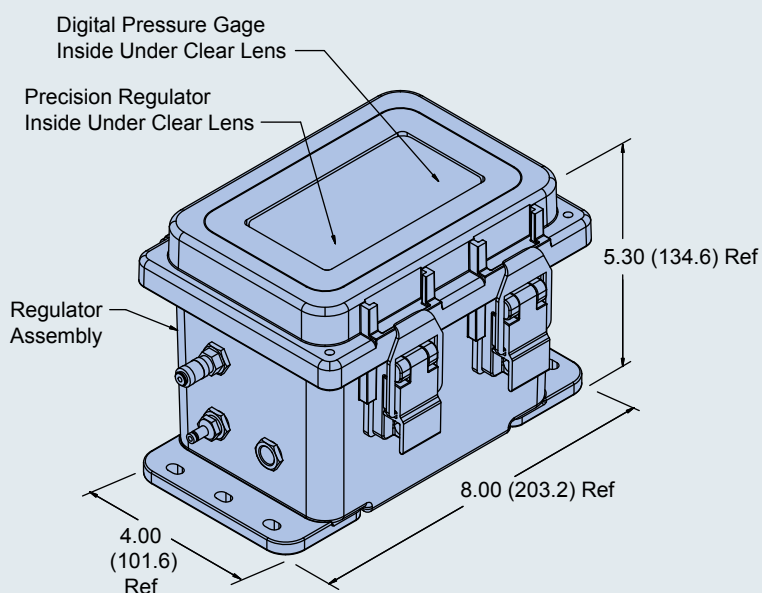
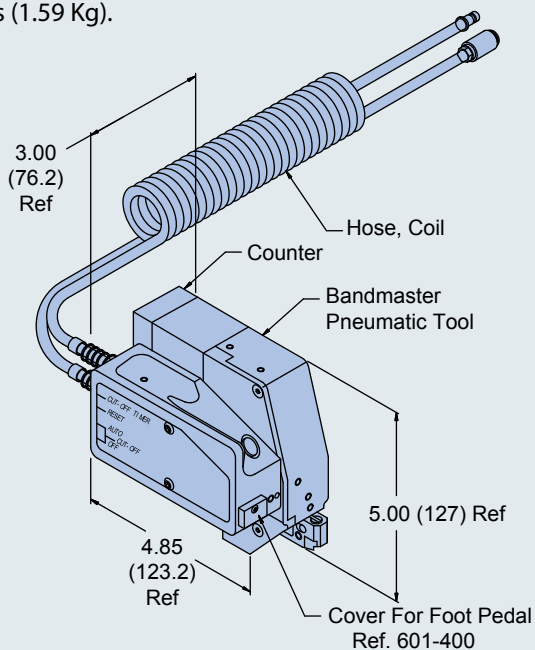
The 601-110 Slim Standard Pneumatic Banding Tool accommodates 601-570, 601-571, 601-572, 601-573 Slim Standard bands in a tension range of from 50-100 lbs. Calibrate at 100 ± 3 lbs for most shield terminations. Weight of the tool is 2.52 lbs (1.14 Kg); the control box weighs 3.51 lbs (1.59 Kg).

601-107 Micro Pneumatic Banding Tool with Counter

The 601-107 Micro Pneumatic Banding Tool accommodates 601-024, 601-025, 600-057, 600-059 Micro Bands in a tension range of from 60 to 90 lbs. Calibrate at 80 ± 5 lbs for most shield terminations. Weight of the tool is 2.52 lbs (1.14 Kg); the control box weighs 3.51 lbs (1.59 Kg).

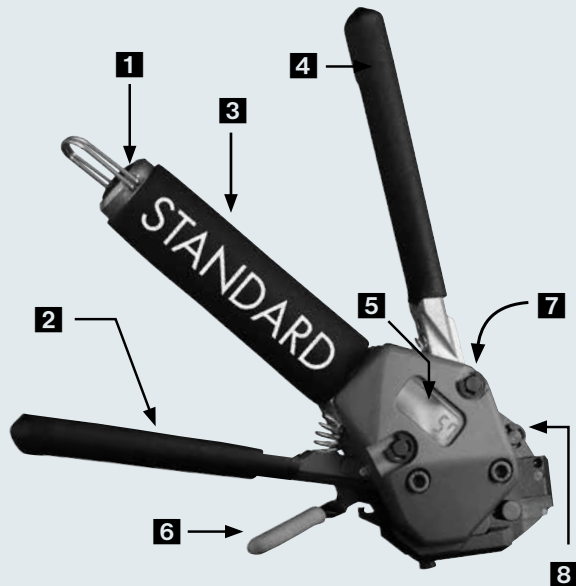
601-118 Nano Pneumatic Banding Tool with Counter

The 601-118 Nano Pneumatic Banding Tool accommodates 601-500, 601-501, 601-504, 601-505, 601-508 and 601-509 Nano bands in a tension range of from 30-90 lbs. Calibrate at 50 ± 3 lbs for most shield terminations. Weight of the tool is 2.52 lbs (1.14 Kg); the control box weighs 3.51 lbs (1.59 Kg).



Band-Master™ ATS

Shield Termination Assembly Process



1 Calibration Access Plug

2 Tensioning Lever:
Squeeze with short gentle strokes to tighten band to the proper tension. Lever will lock to **3 Handle** with final full stroke.

4 Cut-Off Lever:
Squeeze to lock band buckle and trim excess band material.

5 Cycle Counter

6 Band Insertion and Release Lever:
Depress lever to insert or release band from tool.

7 Serial Number

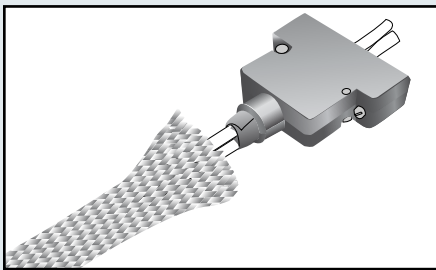
8 Tension Release Lever

NOTES:

1. Use only genuine Band-Master™ ATS bands. Other manufacturer's bands may damage tool.
2. Use only .240" wide bands with 601-100 tool and .120" wide bands with 601-101 tool.

Video Training Series At:

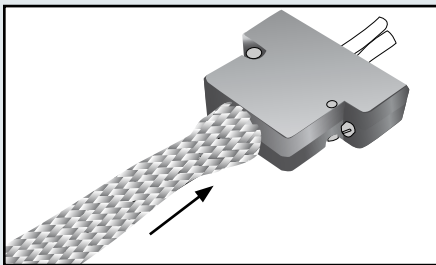
<http://www.glenair.com/bandmaster/index.htm>



Step 1

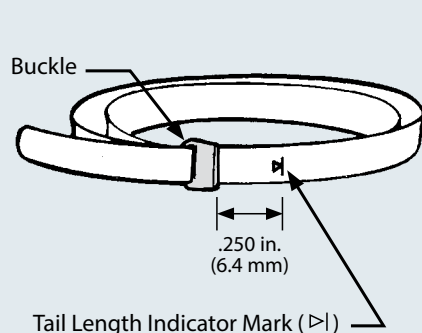
Prepare Cable Braid for termination process

NOTE: Complete banding on an unfixtured cable assembly. Terminating a band to a clamped or fixtured cable will affect the applied forces and interfere with the cut-off operation. The cut-off operation causes a rotation of the band termination in order to lock the band.



Step 2

Push braid forward over banding platform. Milk braid as required to remove slack and ensure a snug fit around the shield termination area.



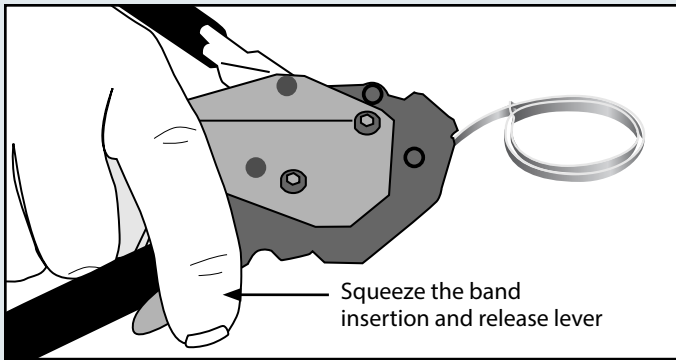
Step 3

Double-wrap the band prior to use:

NOTE: Due to connector/adaptor circumference, it may be necessary to double-coil the band in place around the cable or termination area.

A. Loop/insert the leading edge of band through the buckle slot twice. (Bands *must* be double-wrapped.)

B. Tighten the coil until the indicator mark (▷) is approximately .250 inches (6.4) shy of the buckle slot (see illustration at left). This will ensure sufficient band tail length for insertion into tool.



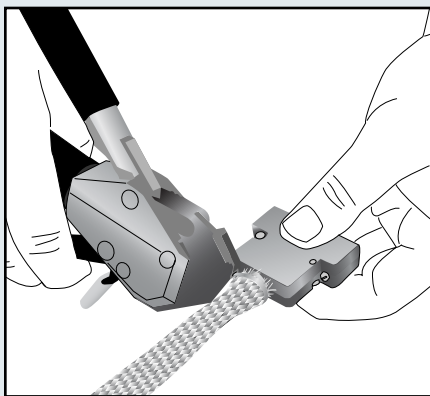
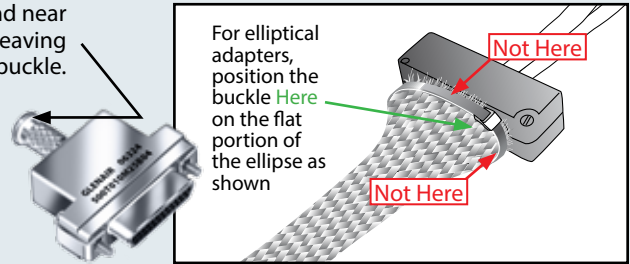
Step 4

Depress the band insertion and release lever (6), and insert the working end of the band into the front end opening of the tool, with the loop positioned outward as shown.

Step 5

The band termination area on all backshells is wider than the band. Position the band near the rear lip of the banding platform, allowing room for the buckle. For elliptical cable entries position the buckle off center of the peak of the circle. Failure to follow these guidelines will result in poor performance.

Position the band near the rear lip leaving room for buckle.



Step 6

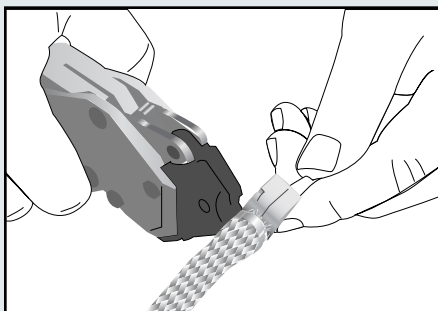
Contract the band with the tensioning lever (2) using short, even strokes. As the band contracts firmly on the termination area, pull a full stroke to lock the lever against the main tool handle which will indicate the band is compressed to the proper tension.

NOTE: *Overly rapid tightening of the band may result in uneven compression. If alignment of the band and shield is unsatisfactory, tension can be relaxed by pulling up on the tensioning lever (2) and then pushing the tension release lever (8) forward. Make adjustments as necessary and finish tightening with tensioning lever (2) as described above.*

Step 7

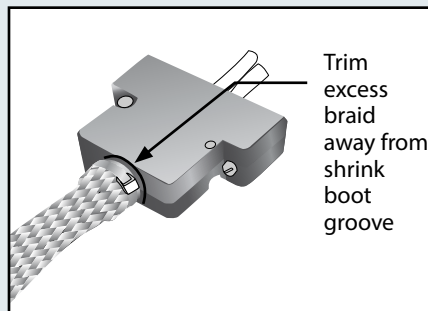
Complete the clamping process by depressing the cut-off lever (4), allowing band and cable to rotate slightly. Pull up the release lever (6) to remove excess band for disposal.

NOTE: *Always band on an unfixtured connector/cable assembly.*



Step 8

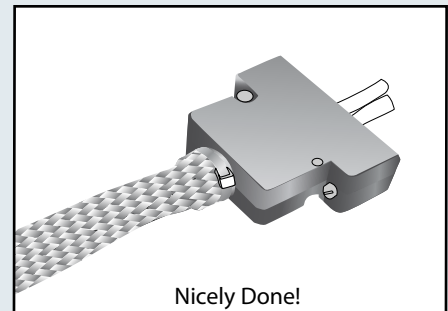
Trim away excess braid from the forward groove, particularly if a shrink boot is to be applied to the assembly.



Step 9

Visually inspect shield termination for problems.

NOTE: *Band can be removed by lifting the buckle with a screwdriver or diagonal cutters.*



Band-MasterATS®

Band Overview and Performance Matrix

Criteria	Standard	Slim Standard	Micro	Nano
Material	304 SS	304 SS	304 SS	304 SS
Part Numbers (Flat)	601-005 (9"), 601-040 (14"), 601-049 (18")	601-570 (9"), 601-572 (14")	601-024 (5"), 601-060 (8"), 601-064 (14")	601-500 (6"), 601-504 (9"), 601-508 (14")
Part Numbers (precoiled)	601-006 (9"), 601-041 (14"), 601-050 (18")	601-571 (9"), 601-573 (14")	601-025 (5"), 601-061 (8"), 601-065 (14")	601-501 (6"), 601-505 (9"), 601-509 (14")
Lengths (inch)	18", 14" and 9"	14" and 9"	14", 8" and 5"	14", 9" and 6"
Fits Diameters (inch)	.30" to 2.5"	.30" to 1.8"	.15" to 1.8"	.08" to 1.8"
Width (inch)	.24"	.24"	.12"	.075"
Thickness (Inch)	.02"	.01"	.015"	.01"
Weight before installation (grams)	14" is 9.06g	14" is 4.46g	8" is 1.76g	9" is .84g
Tooling Information				
Hand Tool Part Number	601-100	601-109	601-101	601-108
Pneumatic Tool Part Number	601-106	601-110	601-107	601-118
Recommended Tool Setting	150 ±5 lbs.	100 ± 3 lbs.	80 ±5 lbs.	50 ±3 lbs.
Performance Data				
Termination Resistance (mΩ)	0.082	0.083	0.087	0.155
Termination Construction	Ni/Al backshell Size 25, Tin Copper Braid	Ni/Al backshell Size 25, Tin Copper Braid	Ni/Al backshell Size 15, Tin Copper Braid	Ni/Al backshell Size 16, Tin Copper Braid
Avg. Resistance Across Band (mΩ)	0.84	0.99	0.763	1.227
Avg. Single Junction Resistance (mΩ)	0.42	0.532	0.382	0.613
Cable Pull Out (pounds)	160 lbs	150 lbs	80 lbs	100 lbs
Clamping Tension (pounds)	100 to 180 lbs	50 to 100 lbs	50 to 85 lbs	20 to 50 lbs
Random Vibration	46grms at +175°C 8 hrs each axis, EIA-364-28E cond. V, letter K	46grms at +175°C 8 hrs each axis, EIA-364-28E cond. V, letter K	46grms at +175°C 8 hrs each axis, EIA-364-28E cond. V, letter K	46grms at +175°C 8 hrs each axis, EIA-364-28E cond. V, letter K
Thermal Shock	-65°C to +200°C 5 cycles	-65°C to +200°C 5 cycles	-65°C to +200°C 5 cycles	-65°C to +200°C 5 cycles
Temperature Life	1,000 hrs at +200°C	1,000 hrs at +200°C	1,000 hrs at +200°C	1,000 hrs at +200°C
Associated Test Report (Available Upon Request)	Test Report GT-14-75	Test Report GT-14-75	Test Report NTS 978-7382	Test Report NTS PR021798
Mil-Spec (85049)	Yes	No	Yes	No



Out of This World
**INTERCONNECT
SOLUTIONS**

Glenair, Inc.

1211 Air Way • Glendale, California • 91201-2497

Telephone: 818-247-6000 • Fax: 818-500-9912 • sales@glenair.com

www.glenair.com

**Glenair Power
Products Group**

860 N. Main Street Extension
Wallingford, CT
06492

Telephone:
203-741-1115
Facsimile:
203-741-0053
sales@glenair.com

Glenair UK Ltd

40 Lower Oakham Way
Oakham Business Park
P.O. Box 37, Mansfield
Notts, NG18 5BY England

Telephone:
+44-1623-638100
Facsimile:
+44-1623-638111
sales@glenair.co.uk

Glenair Microway Systems

7000 North Lawndale Avenue
Lincolnwood, IL
60712

Telephone:
847-679-8833
Facsimile:
847-679-8849

Glenair Nordic AB

Gustav III : S Boulevard 46
SE-169 27 Solna
Sweden

Telephone:
+46-8-50550000
sales@glenair.se

Glenair Electric GmbH

Schaberweg 28
61348 Bad Homburg
Germany

Telephone:
06172 / 68 16 0
Facsimile:
06172 / 68 16 90
info@glenair.de

Glenair Iberica

C/ La Vega, 16
45612 Velada
Spain

Telephone:
+34-925-89-29-88
Facsimile:
+34-925-89-29-87
sales@glenair.es

Glenair Italia S.p.A.

Via Del Lavoro, 7
40057 Quarto Inferiore –
Granarolo dell'Emilia
Bologna, Italy

Telephone:
+39-051-782811
Facsimile:
+39-051-782259
info@glenair.it

Glenair France SARL

7, Avenue Parmentier
Immeuble Central Parc #2
31200 Toulouse
France

Telephone:
+33-5-34-40-97-40
Facsimile:
+33-5-61-47-86-10
sales@glenair.fr

Glenair Korea

B-1304 Gunpo IT Valley
148 Gosan-Ro, Gunpo-Si
Kyunggi-Do, Korea
435-733

Telephone:
+82-31-8068-1090
Facsimile:
+82-31-8068-1092
sales@glenair.kr