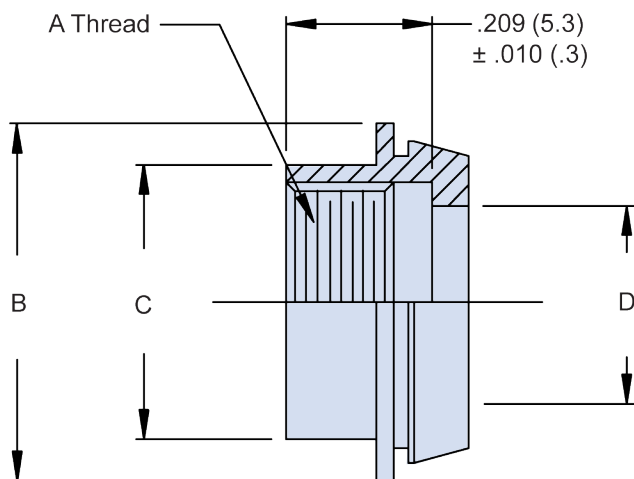




# AS85049/58 Potting Boot Ring (MS27458)

**CONNECTOR DESIGNATOR:**
**F** MIL-DTL-38999 Series I and II

**Basic Part Number**
**Dash Number**
**M85049/58 - 10**

**TABLE I: Dash Number, Shell Size and Dimensions**

Dash No.	Shell Size (Ref)	A Thread UNEF-2B	B Dia Max	C Dia Max	D Dia ±.005 (.1)
8	8/9	.4375-28	.600 (15.2)	.506 (12.9)	.344 (8.7)
10	10/11	.5625-24	.726 (18.4)	.631 (16.0)	.472 (12.0)
12	12/13	.6875-24	.850 (21.6)	.756 (19.2)	.586 (14.9)
14	14/15	.8125-20	.976 (24.8)	.881 (22.4)	.711 (18.1)
16	16/17	.9375-20	1.012 (25.7)	1.006 (25.6)	.836 (21.2)
18	18/19	1.0625-18	1.226 (31.1)	1.131 (28.7)	.942 (23.9)
20	20/21	1.1875-18	1.352 (34.3)	1.256 (31.9)	1.067 (27.1)
22	22/23	1.3125-18	1.476 (37.5)	1.381 (35.1)	1.192 (30.3)
24	24/25	1.4375-18	1.602 (40.7)	1.506 (38.3)	1.317 (33.5)

**APPLICATION NOTES**

- For complete dimensions see the applicable Military Specification.
- Finish: 500-Hour Cadmium Olive Drab over Electroless Nickel.
- See Pages 30-5 and 68-14 or the AS85049/75 Potting Boot which can be used with this potting ring.
- Metric dimensions (mm) are in parentheses.

Dimensions in inches (millimeters) and are subject to change without notice.