

**CONNECTOR
DESIGNATOR
A-F-H-L-S
SELF-LOCKING
ROTATABLE
COUPLING**

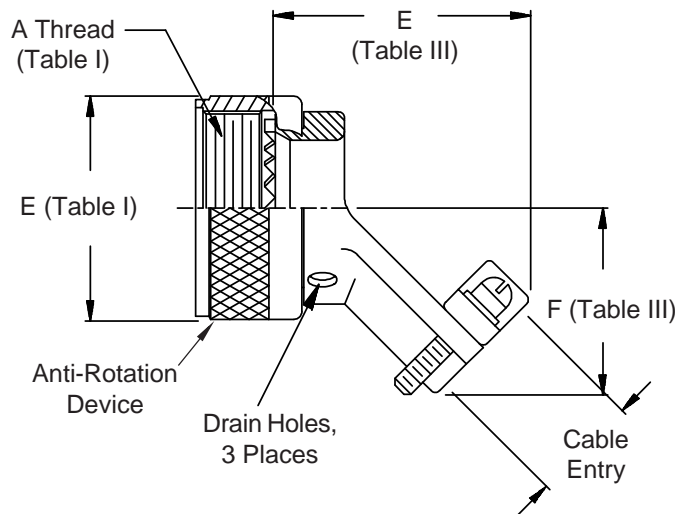
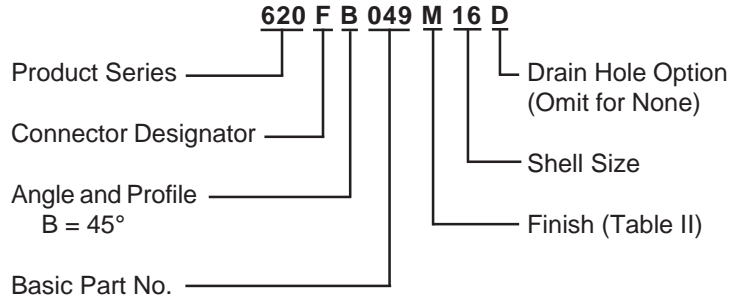


TABLE III: CABLE ENTRY

| Shell Size | E Max | F Max | Cable Entry | |
|------------|--------------|--------------|-------------|--------------|
| | | | Closed | Open |
| 08/09 | 1.536 (39.0) | .730 (18.5) | .125 (3.2) | .204 (5.2) |
| 10/11 | 1.566 (39.8) | .810 (20.6) | .187 (4.7) | .286 (7.3) |
| 12/13 | 1.646 (41.8) | .870 (22.1) | .291 (7.4) | .416 (10.6) |
| 14/15 | 1.686 (42.8) | .930 (23.6) | .351 (8.9) | .476 (12.1) |
| 16/17 | 1.796 (45.6) | .990 (25.1) | .501 (12.7) | .626 (15.9) |
| 18/19 | 1.906 (48.4) | 1.110 (28.2) | .518 (13.2) | .706 (17.9) |
| 20/21 | 1.956 (49.7) | 1.170 (29.7) | .581 (14.8) | .831 (21.1) |
| 22/23 | 1.996 (50.7) | 1.240 (31.5) | .644 (16.4) | .956 (24.3) |
| 24/25 | 2.046 (52.0) | 1.300 (33.0) | .706 (17.9) | 1.081 (27.5) |

See inside back cover
fold-out or pages 13 and
14 for Tables I and II.

1. Cable Entry is defined as the accommodation entry for the wire bundle or cable. Dimensions are not intended for inspection criteria.
2. Metric dimensions (mm) are indicated in parentheses.