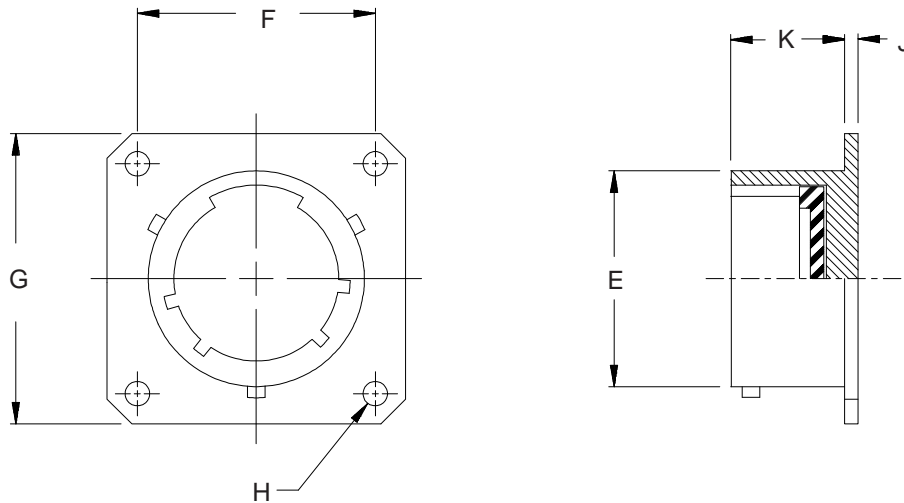
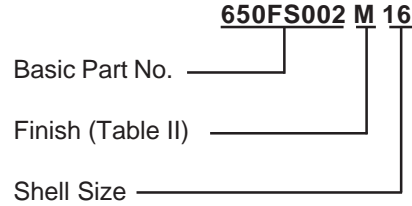


650FS002
Dummy Stowage Receptacles - Bayonet
MIL-C-38999 Series II



MIL-C-38999
Series II



See inside back cover fold-out or page 14 for Table II.

TABLE III: DIMENSIONS

Shell Size	E Max	F	G Max	H Nom	J	K
08	.474 (12.0)	.594 (15.1)	.823 (20.9)	.120 (3.0)	.063 (1.6)	.449 (11.4)
10	.591 (15.0)	.719 (18.3)	.949 (24.1)	.120 (3.0)	.063 (1.6)	.449 (11.4)
12	.751 (19.1)	.812 (20.6)	1.042 (26.5)	.120 (3.0)	.063 (1.6)	.449 (11.4)
14	.876 (22.3)	.906 (23.0)	1.136 (28.9)	.120 (3.0)	.063 (1.6)	.449 (11.4)
16	1.001 (25.4)	.969 (24.6)	1.230 (31.2)	.120 (3.0)	.063 (1.6)	.449 (11.4)
18	1.126 (28.6)	1.062 (27.0)	1.323 (33.6)	.120 (3.0)	.063 (1.6)	.449 (11.4)
20	1.251 (31.8)	1.156 (29.4)	1.449 (36.8)	.120 (3.0)	.063 (1.6)	.449 (11.4)
22	1.376 (35.0)	1.250 (31.8)	1.573 (40.0)	.120 (3.0)	.063 (1.6)	.449 (11.4)
24	1.501 (38.1)	1.375 (34.9)	1.699 (43.2)	.147 (3.7)	.063 (1.6)	.449 (11.4)

1. For complete dimensions see Military Standard MIL-C-38999 Series II.
2. Metric dimensions (mm) are indicated in parentheses.