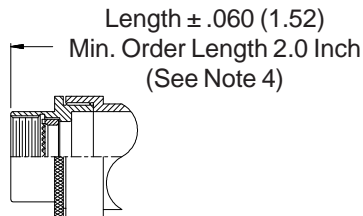


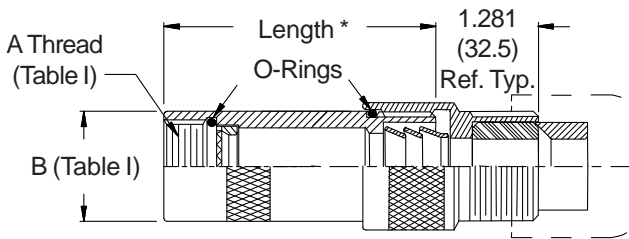
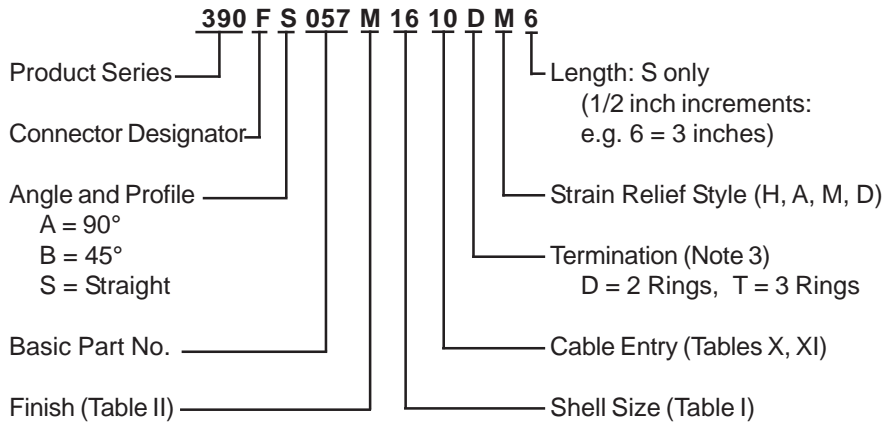
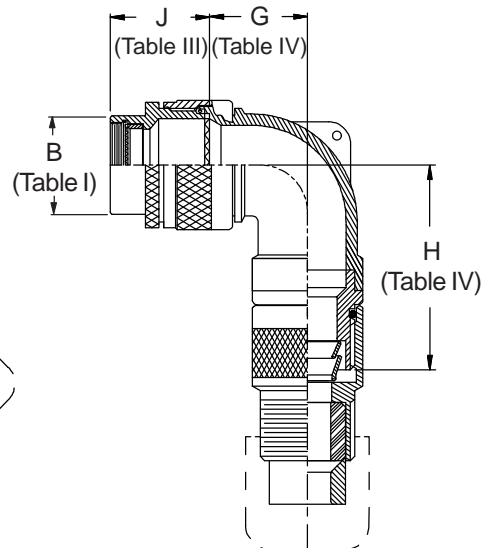
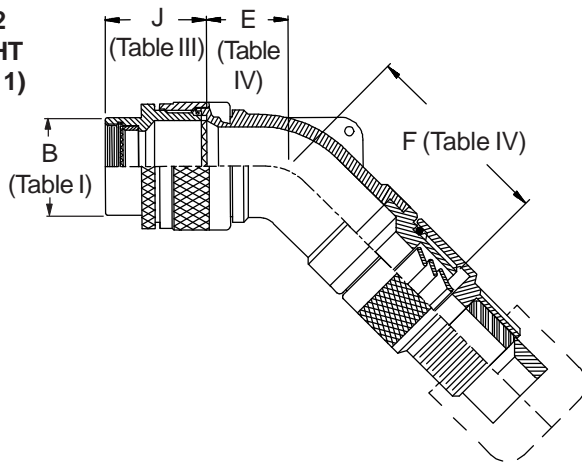
**CONNECTOR
 DESIGNATORS**
A-B*-C-D-E-F
G-H-J-K-L-S

* Conn. Desig. B See Note 5
DIRECT COUPLING

**TYPE E INDIVIDUAL
 AND/OR OVERALL
 SHIELD TERMINATION**

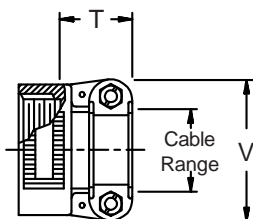


STYLE 2
 (STRAIGHT)
 See Note 1)

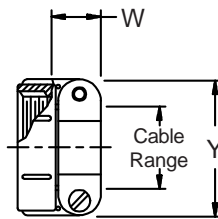


* Length $\pm .060$ (1.52)
 Minimum Order Length 1.5 Inch
 (See Note 4)

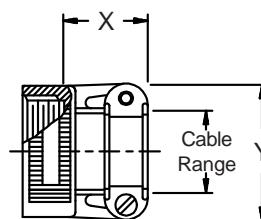
STYLE H
 Heavy Duty
 (Table X)



STYLE A
 Medium Duty
 (Table XI)



STYLE M
 Medium Duty
 (Table XI)



STYLE D
 Medium Duty
 (Table XI)

