

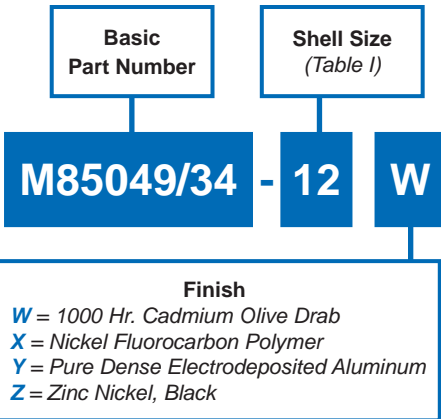
AS85049/34
Straight Adapter and Extender
 for Use with MS3114 and MS3124 Connectors



AS85049

CONNECTOR DESIGNATOR:	
D	MIL-DTL-26482 Series I

For Use With
 MS3114 and MS3124
 Connectors Only



B

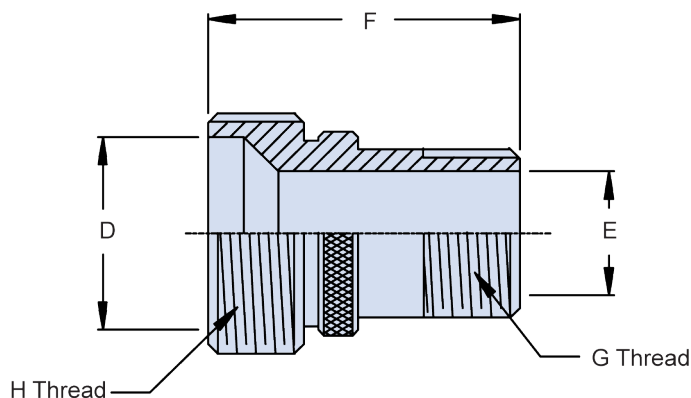


TABLE I: Shell Size and Dimensions					
Shell Size	G Thread UNEF Class 2A	H Thread UNEF Class 2A	D Dia	E Dia	F Max
8	.4375 - 28	.625 - 24	.500 (12.7)	.327 (8.3)	.812 (20.6)
10	.5625 - 24	.750 - 20	.609 (15.5)	.444 (11.3)	.812 (20.6)
12	.6875 - 24	.875 - 20	.734 (18.6)	.569 (14.5)	.812 (20.6)
14	.8125 - 20	1.000 - 20	.859 (21.8)	.673 (17.1)	.812 (20.6)
16	.9375 - 20	1.125 - 18	.969 (24.6)	.798 (20.3)	.812 (20.6)
18	1.0625 - 18	1.250 - 18	1.109 (28.2)	.915 (23.2)	.812 (20.6)
20	1.1875 - 18	1.375 - 18	1.219 (31.0)	1.030 (26.2)	.906 (23.0)
22	1.3125 - 18	1.500 - 18	1.344 (34.1)	1.155 (29.3)	.906 (23.0)
24	1.4375 - 18	1.625 - 18	1.469 (37.3)	1.280 (32.5)	.937 (23.8)

APPLICATION NOTES
1. For complete dimensions see the applicable Military Specification.
2. Metric dimensions (mm) are in parentheses.

Dimensions in inches (millimeters) and are subject to change without notice.