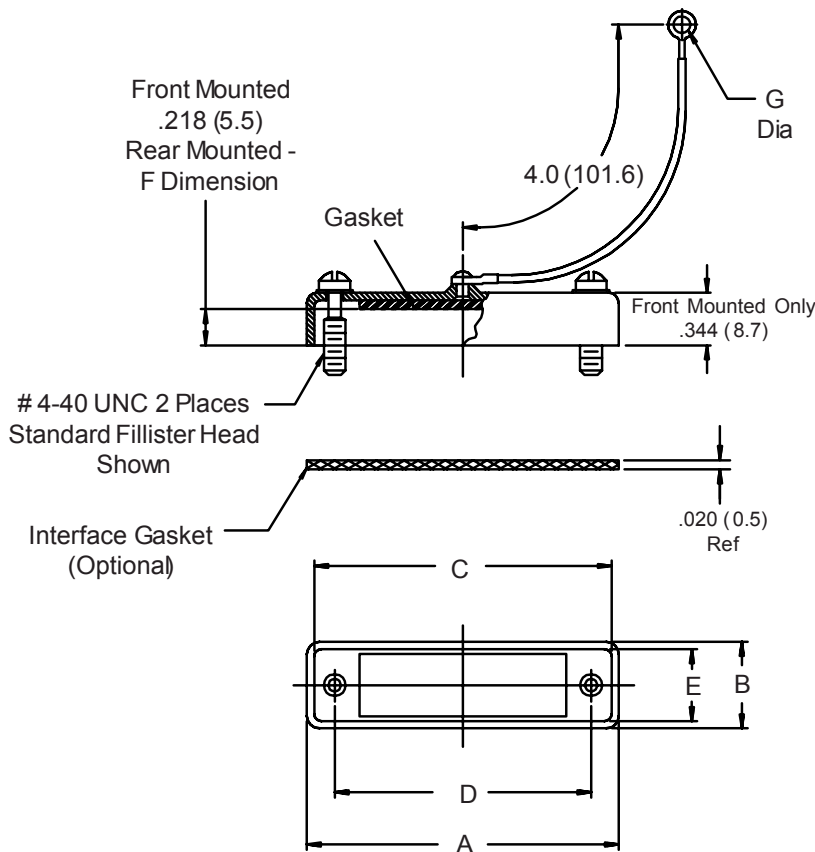




# 500-008 D-Subminiature Metal Protective Cover

**500-008 M 1 R3 G A L -01**

- Basic Part Number
- Finish Symbol (Page 3)
- Shell Size (Table I)
- Dash Number (Table II)  
Omit for Front Mount
- G = Interface and Seal Gasket  
(Omit for Seal Gasket Only)  
- = No Seal and No Interface Gasket
- Optional Attachment Diameter  
(Table III - Omit for Standard .182 (4.6))
- Attachment Type (Table IV)
- Hardware Options:
  - A = Socket Head
  - F = Male and Female Jackscrew
  - H = Hex Head Screw
  - J = Jackposts
  - K = Knurled Slotted Head
  - M = Extended Knurled Slotted Head  
Omit for Standard Fillister Head



## Hardware Options



**Sym. F**  
Turnable Male and  
Female Jackscrews



**Sym. J**  
Jackpost

4-40 UNC



**Sym. H**  
Hex Head  
Screw



**Sym. A**  
Socket Head



**Sym. K**  
Knurled  
Slotted Head



**Sym. M**  
Extended Knurled  
Slotted Head

1.00 (25.4)  
Ref.

500-008  
D-Subminiature  
Metal Protective Cover



TABLE I: SHELL SIZE

| Shell Size | A Max       | B Max      | C Ref       | D     |        | E Ref      |
|------------|-------------|------------|-------------|-------|--------|------------|
|            |             |            |             | ±.005 | (.1)   |            |
| 1          | 1.39 (35.3) | .51 (13.0) | 1.23 (31.2) | .984  | (25.0) | .41 (10.4) |
| 2          | 1.72 (43.7) | .51 (13.0) | 1.56 (39.6) | 1.312 | (33.3) | .41 (10.4) |
| 3          | 2.26 (57.4) | .51 (13.0) | 2.10 (53.3) | 1.852 | (47.0) | .41 (10.4) |
| 4          | 2.90 (73.7) | .51 (13.0) | 2.74 (69.6) | 2.500 | (63.5) | .41 (10.4) |
| 5          | 2.81 (71.4) | .62 (15.7) | 2.65 (67.3) | 2.406 | (61.1) | .52 (13.2) |
| 6          | 2.90 (73.7) | .68 (17.3) | 2.74 (69.6) | 2.500 | (63.5) | .58 (14.7) |

TABLE II: DASH NUMBER

| Dash No. | Panel     |       | F          |
|----------|-----------|-------|------------|
|          | Thickness |       |            |
| R1       | .031      | (.8)  | .187 (4.7) |
| R2       | .047      | (1.2) | .171 (4.3) |
| R3       | .062      | (1.6) | .156 (4.0) |
| R4       | .093      | (2.4) | .125 (3.2) |
| R5       | .104      | (2.6) | .114 (2.9) |
| R6       | .125      | (3.2) | .096 (2.4) |
| R7       | .156      | (4.0) | .062 (1.6) |
| R8       | .138      | (3.5) | .080 (2.0) |

TABLE III: EYELET

| Dash No. | G Dia      |
|----------|------------|
| 01       | .140 (3.6) |
| Omit     | .182 (4.6) |
| 03       | .191 (4.9) |
| 04       | .197 (5.0) |
| 05       | .167 (4.2) |
| 06       | .125 (3.2) |
| 07       | .218 (5.5) |

TABLE IV: ATTACHMENT

| Sym  | Attachment Type                              |
|------|--|
| D    | Bead Chain, Cres, Passivated                 |
| Omit | Wire Rope, Nylon Jacket                      |
| Z    | Nylon Rope                                   |
| E    | Wire Rope Teflon Jacket                      |
| L    | Attachment Omitted                           |
| R    | Wire Rope, PVC Jacket                        |
| T    | Wire Rope, No Jacket                         |
| S    | #8 Sash Chain, Cres., Passivate              |
| U    | Wire Rope, Polyurethane Jacket With Terminal |

1. Metric dimensions (mm) are indicated in parentheses.
2. Use with Glenair mounting kit 559-001 (Page A-114).