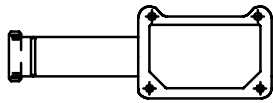


# 507-002 Qwik-Ty® for MIL-DTL-81659 Connectors

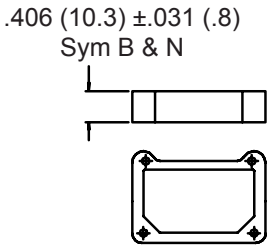
**507-002 L H**

Basic Part No. \_\_\_\_\_  
 Angular Functions \_\_\_\_\_  
 A = Angle Mount Right  
 B = Back Mount  
 C = Angle Mount Left  
 D = 90° Back Mount  
 L = Left Mount  
 N = None (Base Only)  
 R = Right Mount  
 H = Hardware Supplied,  
 Omit for None

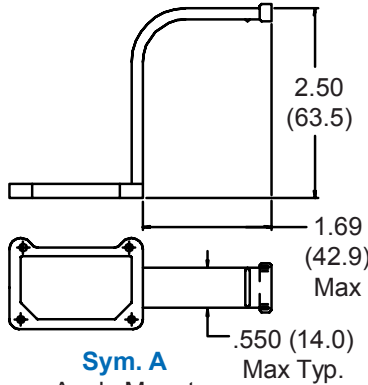
1. Metric dimensions (mm) are indicated in parentheses.
2. Material - Al Alloy  
 Finish - Black Anodize  
 Hardware = Cres/Passivate



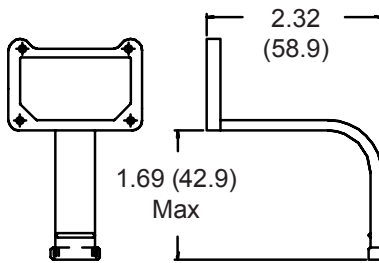
**Sym. C**  
Angle Mount Qwik-Ty®



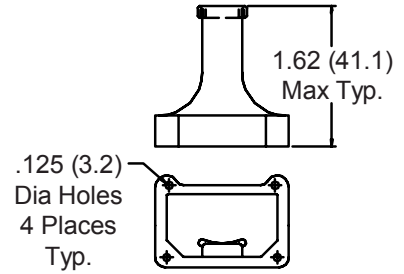
**Sym. N**  
Base Only



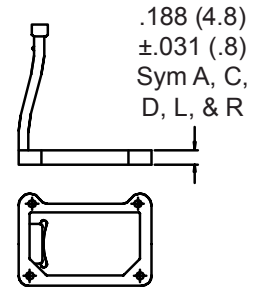
**Sym. A**  
Angle Mount  
Qwik-Ty® Right



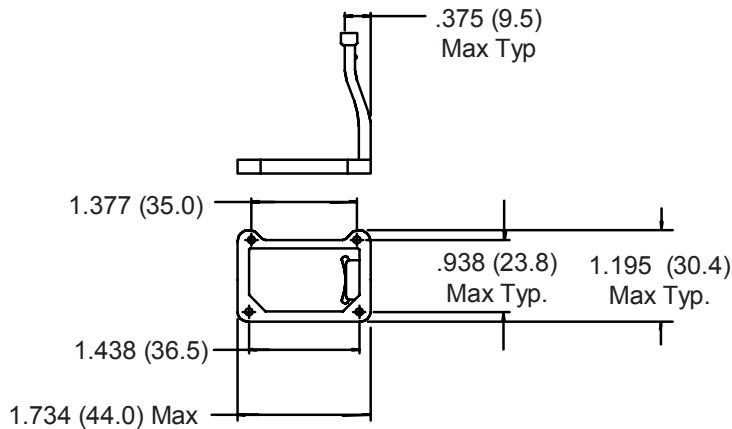
**Sym. D**  
90° Back Mount Qwik-Ty®



**Sym. B**  
Back Mount Qwik-Ty®



**Sym. L**  
Left Mount Qwik-Ty®



**Sym. R**  
Right Mount Qwik-Ty®