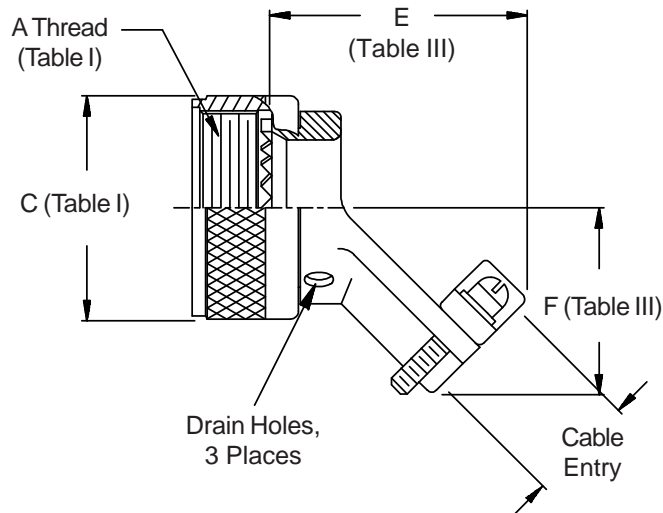
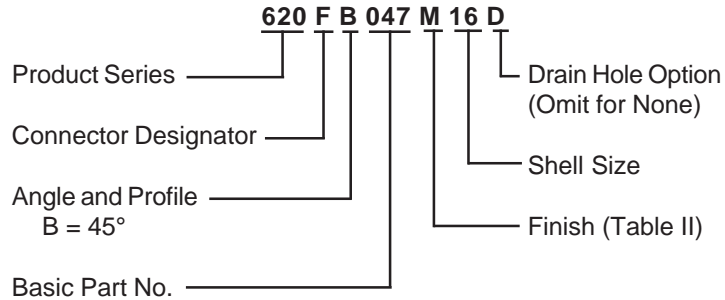


**CONNECTOR  
DESIGNATOR  
A-F-H-L-S  
ROTATABLE  
COUPLING**


**TABLE III: CABLE ENTRY**

Shell Size	E Max	F Max	Cable Entry	
			Closed	Open
08/09	1.450 (36.8)	.772 (19.6)	.125 (3.2)	.204 (5.2)
10/11	1.510 (38.4)	.810 (20.6)	.187 (4.7)	.286 (7.3)
12/13	1.610 (40.9)	.870 (22.1)	.291 (7.4)	.416 (10.6)
14/15	1.640 (41.7)	.930 (23.6)	.351 (8.9)	.476 (12.1)
16/17	1.760 (44.7)	.990 (25.1)	.501 (12.7)	.626 (15.9)
18/19	1.900 (48.3)	1.110 (28.2)	.518 (13.2)	.706 (17.9)
20/21	1.940 (49.3)	1.170 (29.7)	.581 (14.8)	.831 (21.1)
22/23	1.970 (50.0)	1.240 (31.5)	.644 (16.4)	.956 (24.3)
24/25	2.020 (51.3)	1.300 (33.0)	.706 (17.9)	1.081 (27.5)

**See inside back cover  
fold-out or pages 13 and  
14 for Tables I and II.**

1. Cable Entry is defined as the accommodation entry for the wire bundle or cable. Dimensions are not intended for inspection criteria.
2. Metric dimensions (mm) are indicated in parentheses.