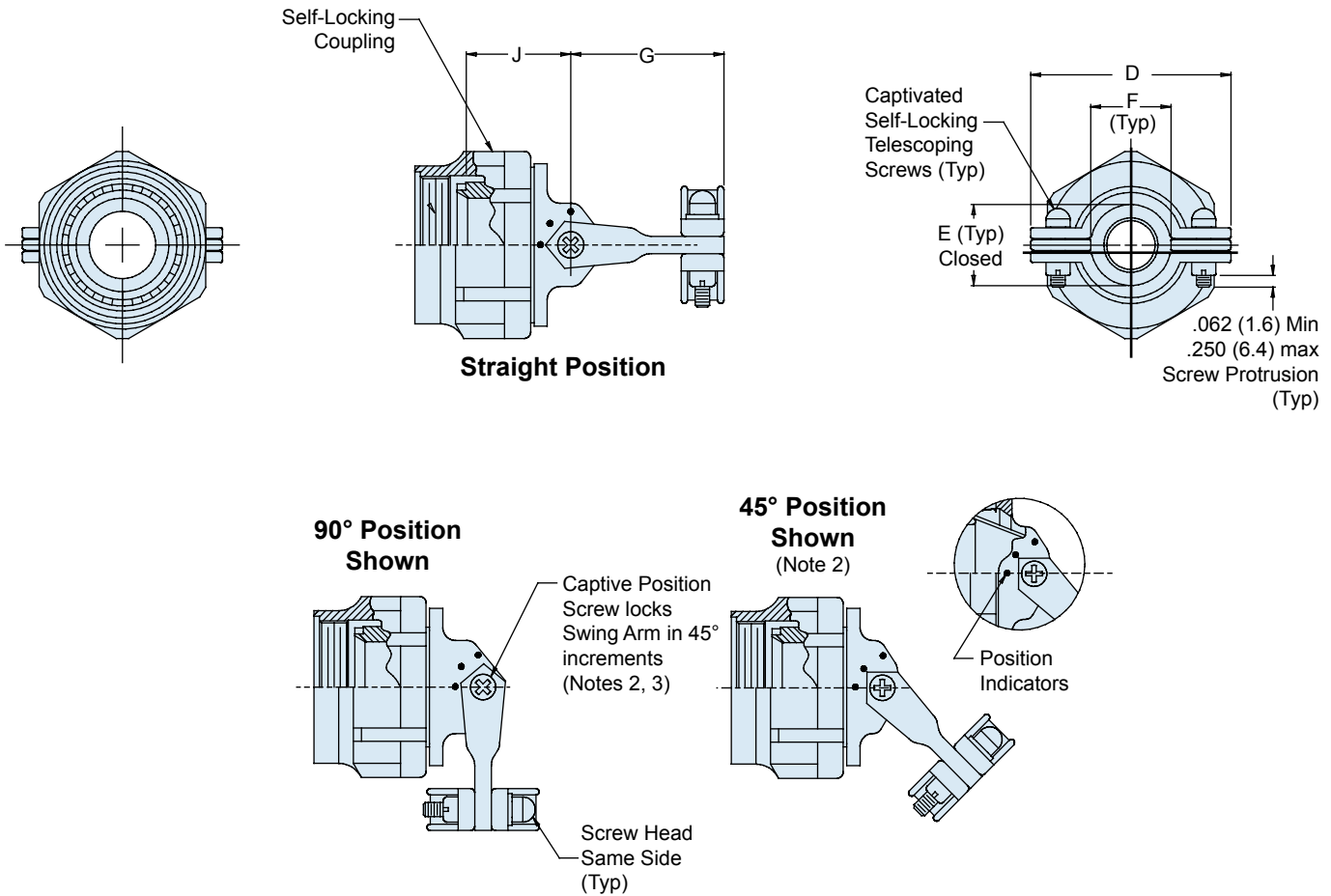
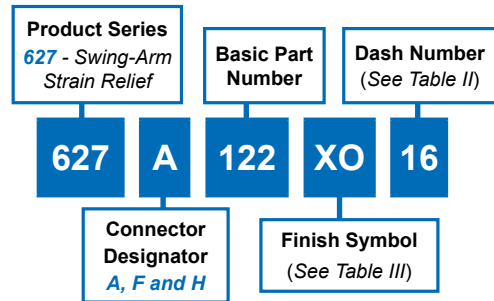


A

| CONNECTOR DESIGNATOR: | |
|---------------------------|---|
| A | MIL-DTL-5015, -26482 Series II, and -83723 Series I and III |
| F | MIL-DTL-38999 Series I, II |
| H | MIL-DTL-38999 Series III and IV |
| SELF-LOCKING | |
| ROTATABLE COUPLING | |
| LOW PROFILE | |



U.S. PATENT NO. 6419519

627-122 Composite Swing-Arm Strain Relief with Self-Locking Rotatable Coupling



Composite
Backshells

A

TABLE II: CONNECTOR SHELL SIZE ORDER NUMBER

| Shell Size for Connector Designator* | | | E | F | G | H | J |
|--------------------------------------|----|----|-------------|-------------|--------------|--------------|--------------|
| A | F | H | ±.06 (1.5) | Min | Max | Max | ±.03 0.8 |
| 08 | 08 | 09 | .265 (6.7) | .220 (5.9) | 1.060 (26.9) | .980 (24.9) | .880 (22.4) |
| 10 | 10 | 11 | .310 (7.9) | .270 (6.9) | 1.090 (27.7) | 1.050 (26.7) | .910 (23.1) |
| 12 | 12 | 13 | .390 (9.9) | .350 (8.9) | 1.180 (30.0) | 1.200 (30.5) | .950 (24.1) |
| 14 | 14 | 15 | .506 (12.9) | .470 (11.9) | 1.240 (31.5) | 1.300 (33.0) | 1.010 (25.7) |
| 16 | 16 | 17 | .591 (15.0) | .550 (14.0) | 1.320 (33.5) | 1.440 (36.6) | 1.050 (26.7) |
| 18 | 18 | 19 | .661 (16.8) | .620 (15.7) | 1.390 (35.3) | 1.560 (39.6) | 1.080 (30.0) |
| 20 | 20 | 21 | .744 (18.9) | .700 (17.8) | 1.550 (39.4) | 1.690 (42.9) | 1.120 (28.4) |
| 22 | 22 | 23 | .826 (21.0) | .780 (19.8) | 1.550 (39.4) | 1.770 (45.0) | 1.160 (29.5) |
| 24 | 24 | 25 | .896 (22.8) | .850 (21.6) | 1.610 (40.9) | 1.890 (48.0) | 1.200 (30.5) |

TABLE III: FINISH

| Symbol | Finish Description |
|--------|--|
| XB | No Plating - Black Color (Non-Conductive Finish) |
| XO | No Plating - Brown Color (Non-Conductive Finish) |

APPLICATION NOTES

- Metric dimensions (mm) are in parentheses and are for reference only.
- Glenair series 600 Backshell assembly Tools are recommended for assembly and installation.
- Swing Arm locks in 45° increments— Sizes 08 thru 24, additional positioning increments are manufacturer's option.
- Captive Screw can remain engaged to the body when positioning the Arm. When tightened, the Screw shall not protrude into the inside surfaces.
- Coupling nut supplied unplated.
- Consult factory for additional entry sizes available.
- See Table I in Intro for front-end dimensional details.