

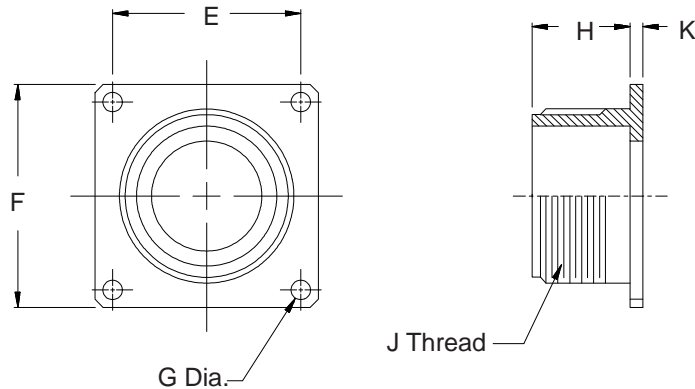
**MIL-C-5015**

**650BS001 B 20**

Basic Part No. \_\_\_\_\_

Finish (Table II) \_\_\_\_\_

Shell Size \_\_\_\_\_



See inside back cover fold-out or page 14 for Table II.

**TABLE III: DIMENSIONS**

Shell Size	J Thread Class 2A	E	F Max	G	H Max	K Max
08S	1/2 -28 UNEF	.594 (15.1)	.906 (23.0)	.120 (3.0)	.593 (15.1)	.156 (4.0)
10S	5/8 -24 UNEF	.719 (18.3)	1.031 (26.2)	.120 (3.0)	.593 (15.1)	.156 (4.0)
12S	3/4 -20 UNEF	.812 (20.6)	1.125 (28.6)	.120 (3.0)	.593 (15.1)	.156 (4.0)
12	3/4 -20 UNEF	.812 (20.6)	1.125 (28.6)	.120 (3.0)	.781 (19.8)	.156 (4.0)
14S	7/8 -20 UNEF	.906 (23.0)	1.219 (31.0)	.120 (3.0)	.593 (15.1)	.156 (4.0)
14	7/8 -20 UNEF	.906 (23.0)	1.219 (31.0)	.120 (3.0)	.781 (19.8)	.156 (4.0)
16S	1 -20 UNEF	.969 (24.6)	1.312 (33.3)	.120 (3.0)	.593 (15.1)	.156 (4.0)
16	1 -20 UNEF	.969 (24.6)	1.312 (33.3)	.120 (3.0)	.781 (19.8)	.156 (4.0)
18	1 1/8 -18 UNEF	1.062 (27.0)	1.406 (35.7)	.120 (3.0)	.781 (19.8)	.203 (5.2)
20	1 1/4 -18 UNEF	1.156 (29.4)	1.531 (38.9)	.120 (3.0)	.781 (19.8)	.203 (5.2)
22	1 3/8 -18 UNEF	1.250 (31.8)	1.656 (42.1)	.120 (3.0)	.781 (19.8)	.203 (5.2)
24	1 1/2 -18 UNEF	1.375 (34.9)	1.781 (45.2)	.147 (3.7)	.843 (21.4)	.203 (5.2)
28	1 3/4 -18 UNS	1.562 (39.7)	2.031 (51.6)	.147 (3.7)	.843 (21.4)	.203 (5.2)
32	2 -18 UNS	1.750 (44.5)	2.281 (57.9)	.173 (4.4)	.906 (23.0)	.359 (9.1)
36	2 1/4 -16 UN	1.938 (49.2)	2.531 (64.3)	.173 (4.4)	.906 (23.0)	.359 (9.1)
40	2 1/2 -16 UN	2.188 (55.6)	2.781 (70.6)	.173 (4.4)	.906 (23.0)	.359 (9.1)
44	2 3/4 -16 UN	2.375 (60.3)	3.031 (77.0)	.173 (4.4)	.906 (23.0)	.359 (9.1)
48	3 -16 UN	2.625 (66.7)	3.281 (83.3)	.173 (4.4)	.906 (23.0)	.359 (9.1)

1. For complete dimensions see Mil-C-5015.
2. Metric dimensions (mm) are indicated in parentheses.