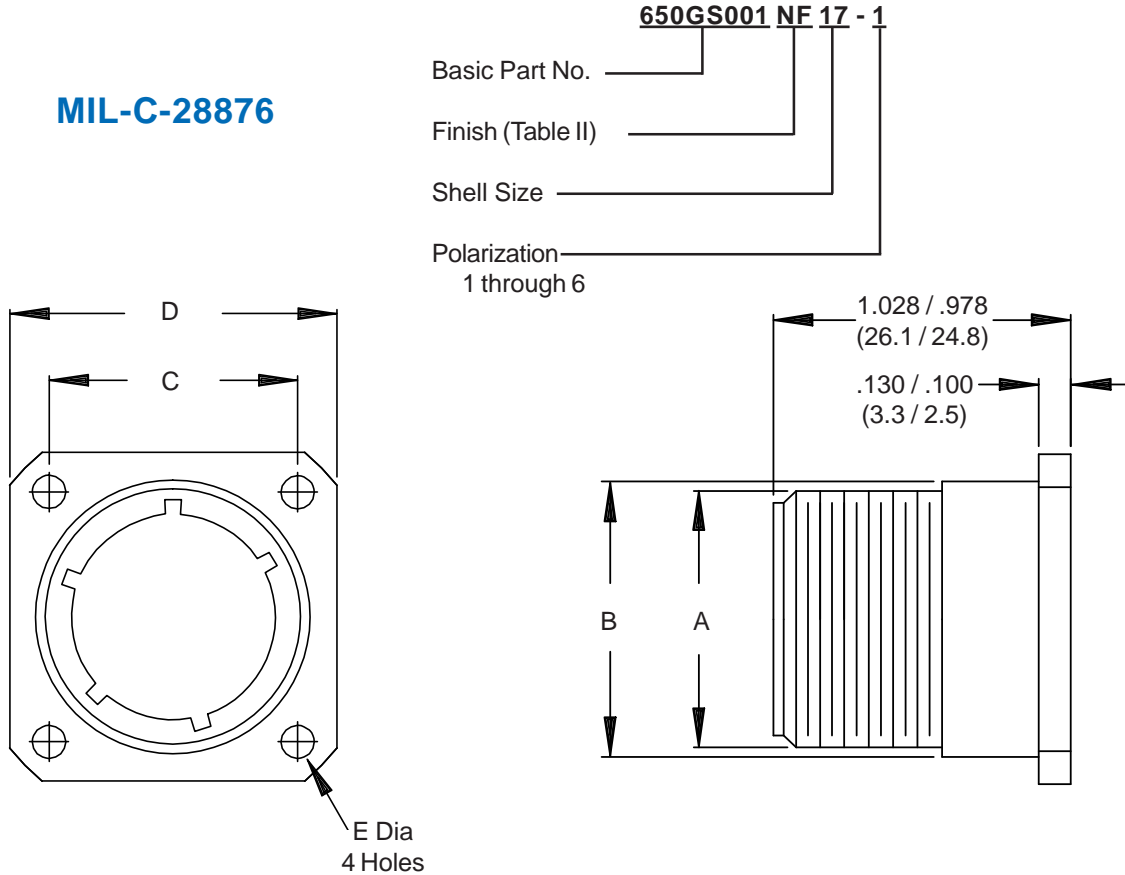


MIL-C-28876



See inside back cover fold-out or page 14 for Table II.

TABLE III: DIMENSIONS

Shell Size	Shell Size Mil. Ref.	A Dia Max	B Ref. Mtg Hole	C	D Max	E Max
11	A	.750 (19.1)	.812 (20.6)	.750 (19.1)	1.043 (26.5)	.130 (3.3)
13	B	.875 (22.2)	.937 (23.8)	.843 (21.4)	1.158 (29.4)	.130 (3.3)
15	C	1.062 (27.0)	1.124 (28.5)	.968 (24.6)	1.278 (32.5)	.130 (3.3)
17	D	1.125 (28.6)	1.187 (30.1)	1.015 (25.8)	1.403 (35.6)	.130 (3.3)
19	E	1.312 (33.3)	1.375 (34.9)	1.140 (29.0)	1.528 (38.8)	.130 (3.3)
23	F	1.500 (38.1)	1.562 (39.7)	1.281 (32.5)	1.738 (44.1)	.130 (3.3)
25	G	1.625 (41.3)	1.687 (42.8)	1.392 (35.4)	1.838 (46.7)	.157 (4.0)
29	H	1.812 (46.0)	1.874 (47.6)	1.568 (39.8)	2.158 (54.8)	.157 (4.0)
33	J	2.000 (50.8)	2.062 (52.4)	1.734 (44.0)	2.348 (59.6)	.183 (4.6)

Metric dimensions (mm) are indicated in parentheses.