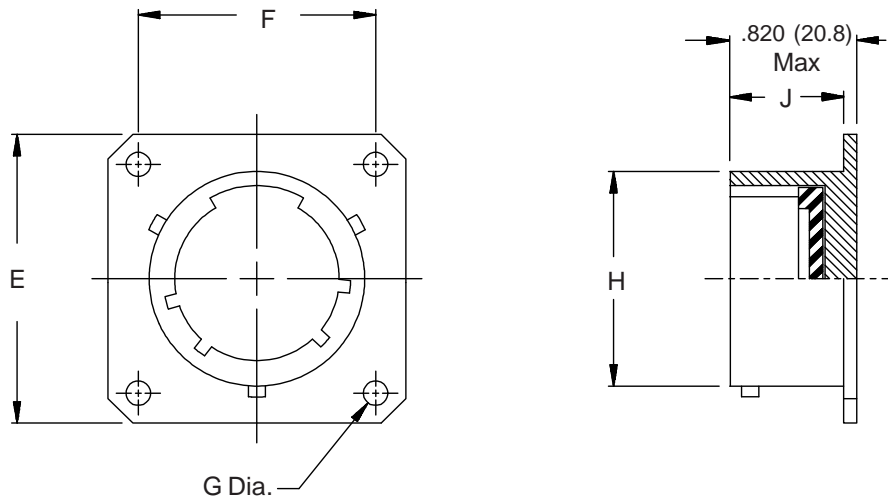


S J T

650LS001 M 16
 Basic Part No. _____
 Finish (Table II) _____
 Shell Size _____



See inside back cover fold-out or page 14 for Table II.

TABLE III: DIMENSIONS							
Shell Size	E	F	G	H	J	Dim	
08	.812 (20.6)	.594 (15.1)	.120 (3.0)	.473 (12.0)	.670 (17.0)		
10	.938 (23.8)	.719 (18.3)	.120 (3.0)	.590 (15.0)	.670 (17.0)		
12	1.031 (26.2)	.812 (20.6)	.120 (3.0)	.750 (19.1)	.670 (17.0)		
14	1.125 (28.6)	.906 (23.0)	.120 (3.0)	.875 (22.2)	.670 (17.0)		
16	1.219 (31.0)	.969 (24.6)	.120 (3.0)	1.000 (25.4)	.670 (17.0)		
18	1.312 (33.3)	1.062 (27.0)	.120 (3.0)	1.125 (28.6)	.670 (17.0)		
20	1.438 (36.5)	1.156 (29.4)	.120 (3.0)	1.250 (31.8)	.640 (16.3)		
22	1.562 (39.7)	1.250 (31.8)	.120 (3.0)	1.375 (34.9)	.640 (16.3)		
24	1.686 (42.8)	1.375 (34.9)	.147 (3.7)	1.500 (38.1)	.640 (16.3)		

Metric dimensions (mm) are indicated in parentheses.