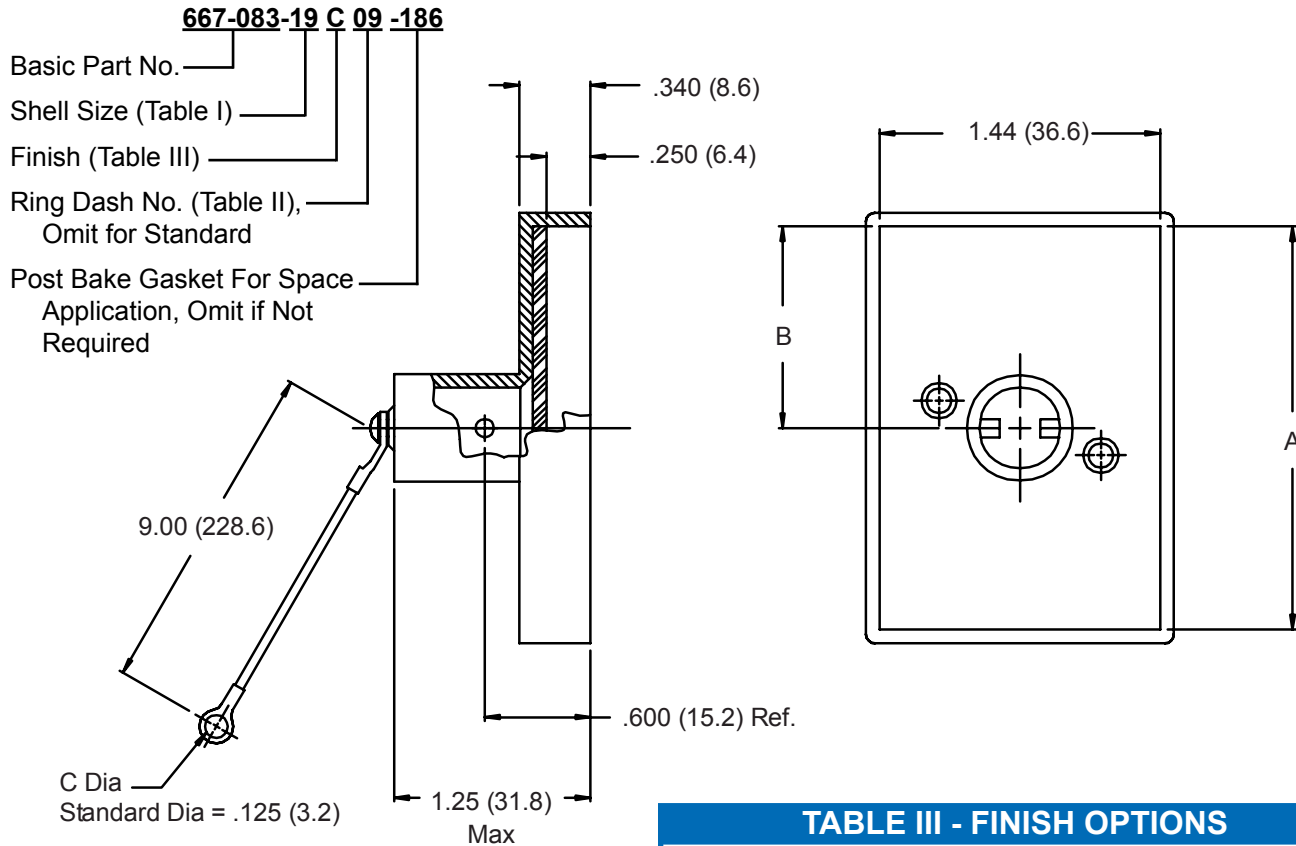


# 667-083 Protective Cover for Hypertronics NPB Y Connectors


**TABLE I: SHELL SIZE & CONNECTOR INTERFACE**

Shell Size	Mating Connector	A	B
11	NPBY11/	1.826 (46.4)	.913 (23.2)
15	NPBY15/	2.226 (56.5)	1.113 (28.3)
19	NPBY19/	2.626 (66.7)	1.313 (33.4)
23	NPBY23/	3.026 (76.9)	1.513 (38.4)
27	NPBY27/	3.426 (87.0)	1.713 (43.5)
31	NPBY31/	3.826 (97.2)	1.913 (48.6)
35	NPBY35/	4.226 (107.3)	2.113 (53.7)
45	NPBY45/	5.226 (132.7)	2.613 (66.4)
52	NPBY52/	5.926 (150.5)	2.963 (75.3)

**TABLE III - FINISH OPTIONS**

Symbol	Finish
B	Cadmium Plate, Olive Drab
C	Black Anodize
J	Iridite, Gold Over Cadmium Plate over Nickel
M	Electroless Nickel
N	Cadmium Plate, Olive Drab, Over Nickel
NF	Cadmium Plate, Olive Drab, Over Electroless Nickel (1000 Hour Salt Spray)
T	Cadmium Plate, Bright Dip Over Nickel (500 Hour Salt Spray)

**CONSULT FACTORY FOR  
OTHER AVAILABLE FINISHES**

**TABLE II**

Dash No.	C Dia
01	.140 (3.6)
02	.182 (4.6)
03	.191 (4.9)
04	.197 (5.0)
05	.167 (4.2)
07	.218 (5.5)
09	.156 (4.0)

1. Metric dimensions (mm) are indicated in parentheses.
2. Material/Finish:  
 Cover and Knob = Al Alloy/  
 Table III  
 Hardware = SST/Passivate  
 Rope Covering =  
 Fluoropolymer/N.A.  
 Gasket = Silicone/N.A.