

667-091

Protective Cover for Hypertronics NEBY Connectors

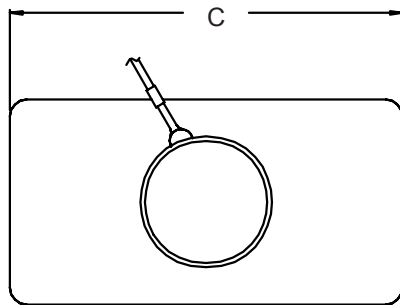
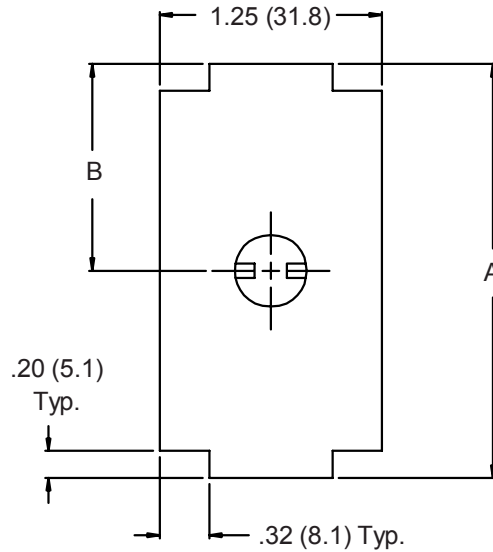
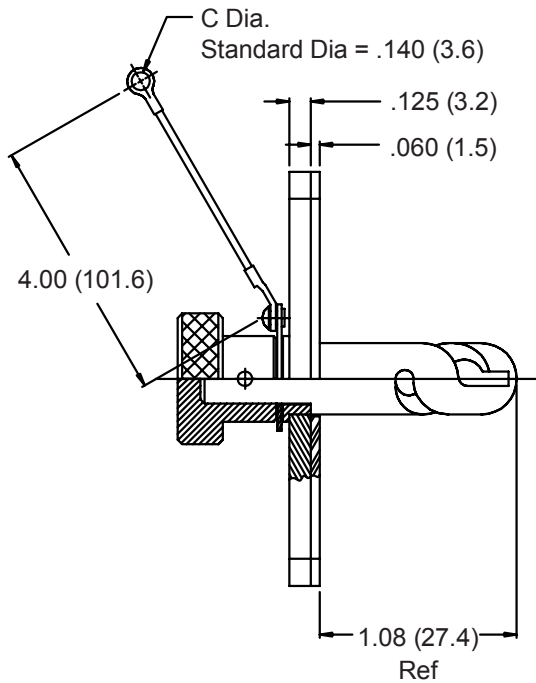
Universal for Pin and Socket Contacts

667-091-19 C 08 -186 P

Basic Part No. _____
 Shell Size (Table I) _____
 Finish (Table III) _____
 Ring Dash No. (Table II),
 Omit for Standard _____

P = Connector with Pin Contact, Omit for
 Standard Socket Contacts (See Note 2)

Post Bake Gasket For Space Application,
 Omit if Not Required



"P" Pin Contact Option (See Part Number Development and Note 2)

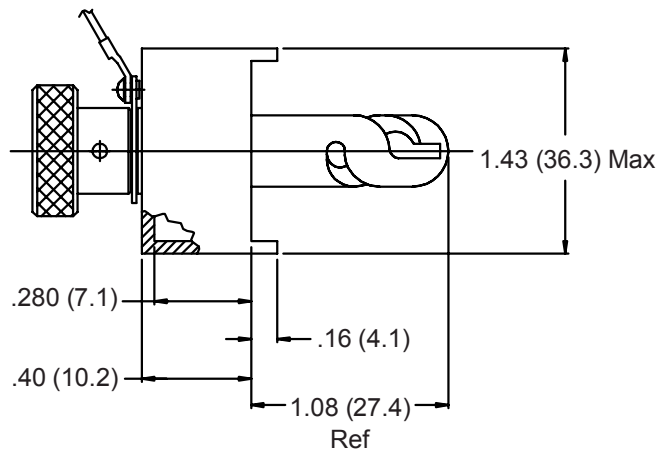


TABLE I: SHELL SIZE & CONECTOR INTERFACE DIMENSIONS

Shell Size	Mating Connector	A		B		C	
11	NEBY11/	1.60	(40.6)	.80	(20.3)	1.18	(30.0)
15	NEBY15/	2.00	(50.8)	1.00	(25.4)	1.58	(40.1)
19	NEBY19/	2.40	(61.0)	2.00	(50.8)	1.98	(50.3)
23	NEBY23/	2.80	(71.1)	1.40	(35.6)	2.38	(60.5)
27	NEBY27/	3.20	(81.3)	1.60	(40.6)	2.78	(70.6)
31	NEBY31/	3.60	(91.4)	1.80	(45.7)	3.18	(80.8)
35	NEBY35/	4.00	(101.6)	2.00	(50.8)	3.58	(90.9)
45	NEBY45/	5.00	(127.0)	2.50	(63.5)	4.58	(116.3)

TABLE II: RING

Dash No.	C Dia	
02	.182	(4.6)
03	.191	(4.9)
04	.197	(5.0)
05	.167	(4.2)
06	.125	(3.2)
07	.218	(5.5)
09	.156	(4.0)

TABLE III - FINISH OPTIONS

Symbol	Finish
B	Cadmium Plate, Olive Drab
C	Black Anodize
J	Iridite, Gold Over Cadmium Plate over Nickel
M	Electroless Nickel
N	Cadmium Plate, Olive Drab, Over Nickel
NF	Cadmium Plate, Olive Drab, Over Electroless Nickel (1000 Hour Salt Spray)
T	Cadmium Plate, Bright Dip Over Nickel (500 Hour Salt Spray)

CONSULT FACTORY FOR OTHER AVAILABLE FINISHES

1. Metric dimensions (mm) are indicated in parentheses.
2. "P" option can be used for Pin and socket contacts.
3. Material/Finish:
 - Cover and Knob = Al Alloy/See Table III
 - Hardware = SST/Passivate
 - Rope Covering = Fluoropolymer/N.A.
 - Gasket = Silicone/N.A.