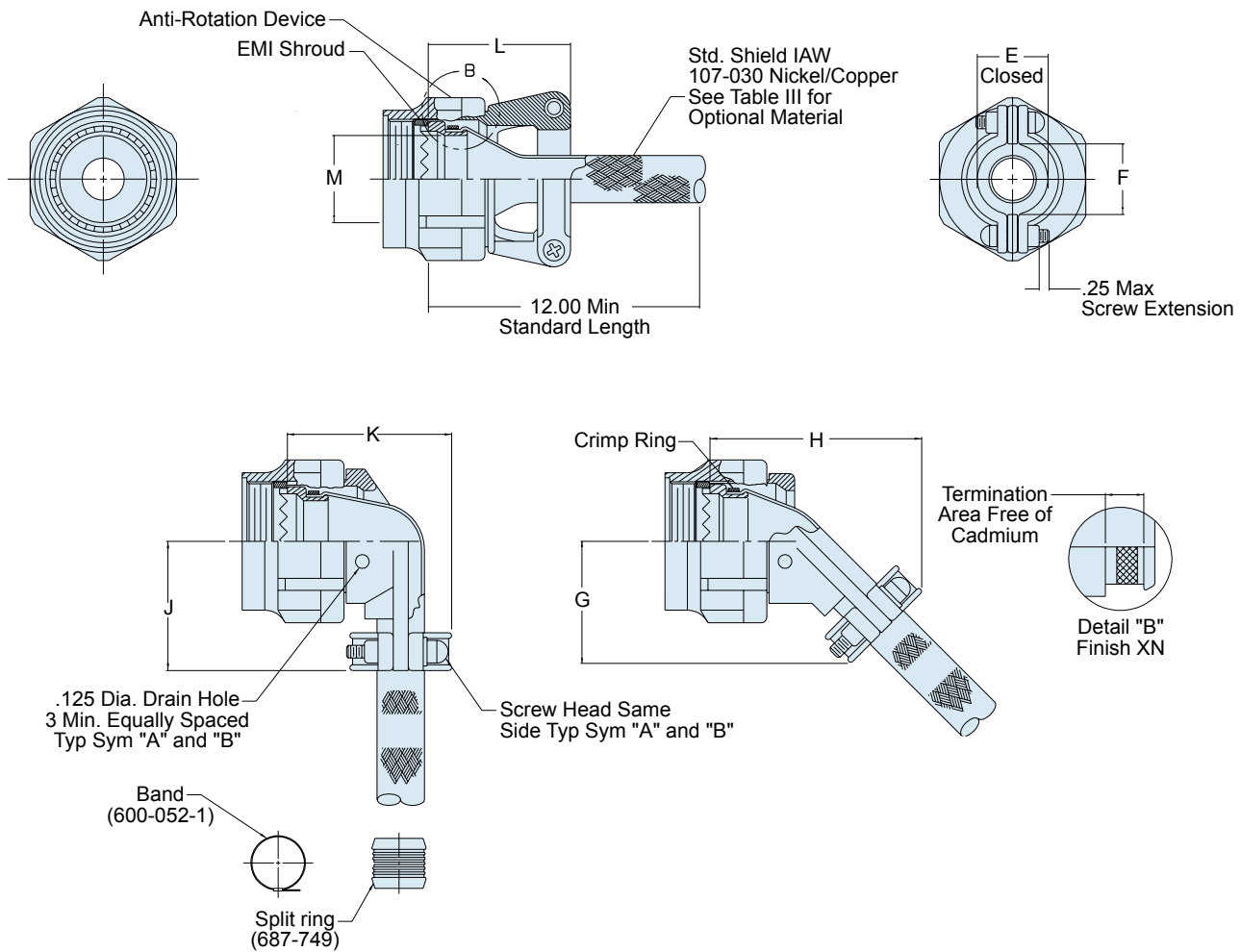
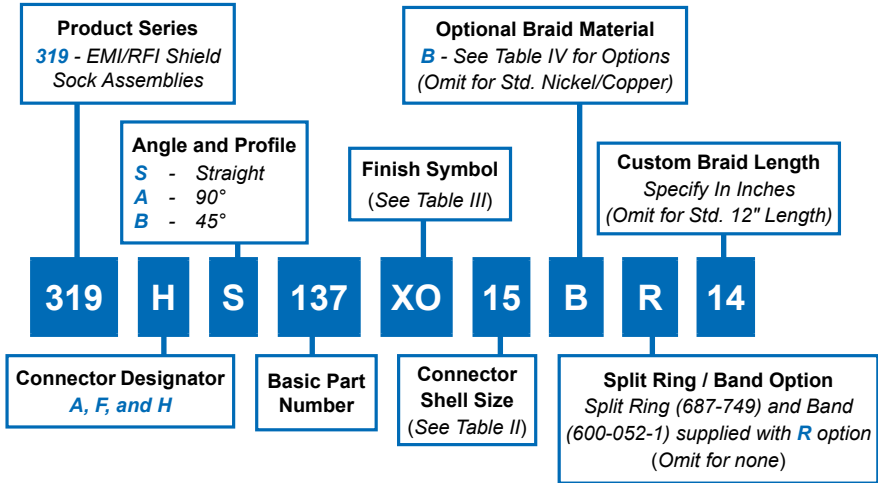


319-137 Composite Shield Sock Strain Relief with Self-Locking Rotatable Coupling

A

| CONNECTOR DESIGNATOR: | |
|---------------------------|---|
| A | MIL-DTL-5015, -26482 Series II, and -83723 Series I and III |
| F | MIL-DTL-38999 Series I, II (see note 3) |
| H | MIL-DTL-38999 Series III and IV |
| SELF-LOCKING | |
| ROTATABLE COUPLING | |
| LOW PROFILE | |



319-137 Composite Shield Sock Strain Relief with Self-Locking Rotatable Coupling



Composite
Backshells

A

TABLE II: SHELL SIZE

| Shell Size | | E ± .031 | F Min | G Max | H Max |
|------------|----|-------------|------------|--------------|--------------|
| A, F | H | | | | |
| 08 | 09 | .265 (6.7) | .22 (5.6) | .901 (22.9) | 1.388 (35.3) |
| 10 | 11 | .310 (7.9) | .27 (6.9) | .964 (24.5) | 1.428 (36.3) |
| 12 | 13 | .390 (9.9) | .35 (8.9) | 1.050 (26.7) | 1.498 (38.0) |
| 14 | 15 | .506 (12.9) | .47 (11.9) | 1.112 (28.2) | 1.548 (39.3) |
| 16 | 17 | .591 (15.0) | .55 (14.0) | 1.175 (29.8) | 1.648 (41.9) |
| 18 | 19 | .661 (16.8) | .62 (15.7) | 1.230 (31.2) | 1.768 (44.9) |
| 20 | 21 | .744 (18.9) | .70 (17.8) | 1.293 (32.8) | 1.808 (45.9) |
| 22 | 23 | .826 (21.0) | .78 (19.8) | 1.365 (34.7) | 1.858 (47.2) |
| 24 | 25 | .896 (22.8) | .85 (21.6) | 1.417 (36.0) | 1.898 (48.2) |

TABLE II: SHELL SIZE (CONTINUED)

| Shell Size | | J Max | K Max | L Max | K Diameter | | |
|------------|----|-------------|--------------|--------------|---------------|--------------|--------------|
| A, F | H | | | | A Code | F Code | H Code |
| 08 | 09 | .91 (23.1) | 1.128 (28.7) | .939 (23.9) | .265 (6.7) | .275 (7.0) | .264 (6.7) |
| 10 | 11 | .97 (24.6) | 1.168 (29.7) | 1.059 (26.9) | .370 (9.4) | .412 (10.5) | .390 (9.9) |
| 12 | 13 | 1.06 (26.9) | 1.248 (31.7) | 1.199 (30.5) | .506 (12.9) | .526 (13.4) | .504 (12.8) |
| 14 | 15 | 1.16 (29.5) | 1.368 (34.7) | 1.199 (30.5) | .580 (14.7) | .651 (16.5) | .630 (16.0) |
| 16 | 17 | 1.34 (34.0) | 1.448 (36.8) | 1.329 (33.8) | .705 (17.9) | .776 (19.7) | .756 (19.2) |
| 18 | 19 | 1.41 (35.8) | 1.528 (38.8) | 1.509 (38.3) | .784 (19.9) | .872 (22.1) | .843 (21.4) |
| 20 | 21 | 1.53 (38.9) | 1.648 (41.9) | 1.609 (40.9) | .909 (23.1) | 1.007 (25.6) | .969 (24.6) |
| 22 | 23 | 1.66 (42.2) | 1.688 (42.9) | 1.759 (44.7) | 1.034 (1.034) | 1.132 (28.8) | 1.091 (27.7) |
| 24 | 25 | 1.78 (45.2) | 1.758 (44.7) | 1.859 (47.2) | 1.149 (29.2) | 1.257 (31.9) | 1.217 (30.9) |

TABLE III: FINISH

| Symbol | Finish |
|------------|--|
| XB | Composite Material—No Plating, Color Black, Brass Interface Shroud and Adapter—Nickel Plated |
| XMT | 2000 Hour Corrosion Resistant Ni-PTFE, Nickel-Fluorocarbon Polymer. 1000 Hour Grey™ |
| XN | Composite Material—No Plating, Color Black and Brown, Brass Interface Shroud and Adapter—Selectively Cadmium Plated (See Detail B) |

TABLE IV: BRAID TYPE

| Symbol | Braid Type |
|----------|----------------------------|
| A | 100% AmberStrand® |
| B | 75%/25% AmberStrand® Blend |
| L | 100% ArmorLite™ |
| Standard | Nickel/Copper 34awg |
| T | Tin/Copper 34awg |

NOTES

1. See composite thermoplastic shield sock assembly procedure for detailed installation instructions.
2. See Table I in Intro for front-end dimensional details.
3. Add mod code -475 to end of part number for use with Series II connectors. Backshell to be supplied less shroud.
4. Coupling nut supplied unplated.