

620-004
Backshell Accessory - 90° Strain Relief
Rotatable Coupling



**CONNECTOR
DESIGNATOR
A-F-L-H-S
ROTATABLE
COUPLING**

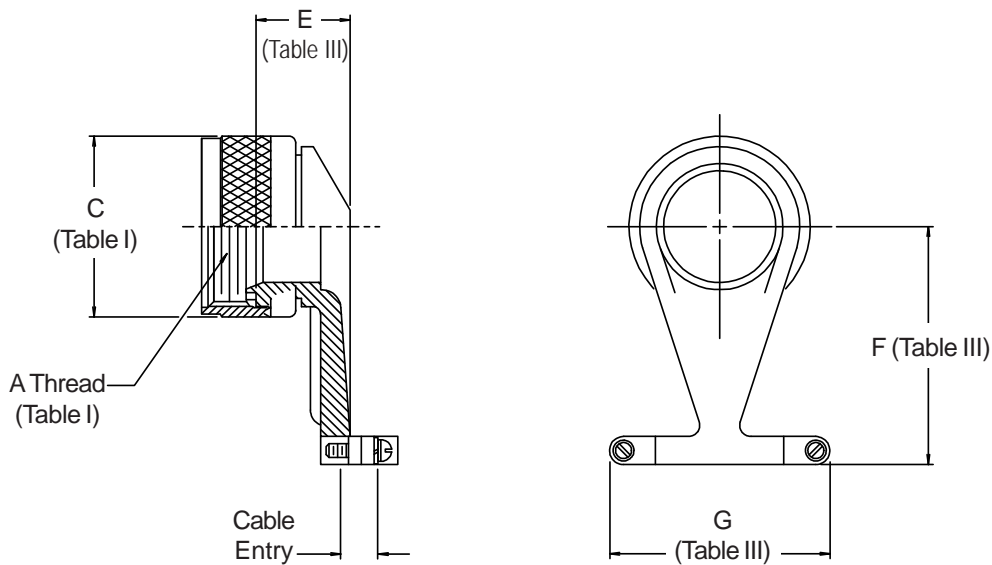
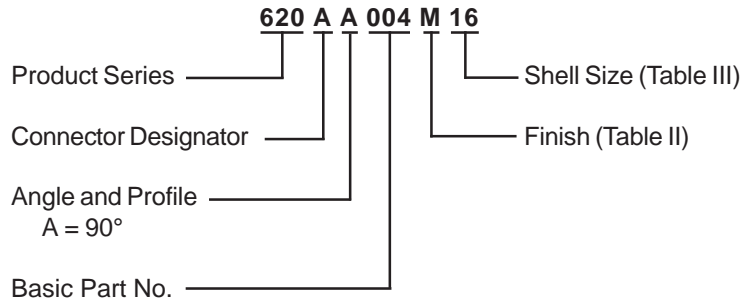


TABLE III: CABLE ENTRY

| Shell Size | | E Max | F Nom | G Nom | H Cable Entry | | | |
|-------------------------|----|-------------|--------------|--------------|---------------|--------------|--------|------|
| Conn. Desig. A,F,L H | | | | | | | Closed | Open |
| 08 | 09 | .450 (11.4) | .780 (19.8) | .750 (19.1) | .125 (3.2) | .250 (6.4) | | |
| 10 | 11 | .450 (11.4) | .890 (22.6) | .750 (19.1) | .156 (3.7) | .375 (9.5) | | |
| 12 | 13 | .450 (11.4) | 1.030 (26.2) | .937 (23.8) | .188 (4.8) | .437 (11.1) | | |
| 14 | 15 | .450 (11.4) | 1.220 (31.0) | 1.015 (25.8) | .218 (5.5) | .562 (14.3) | | |
| 16 | 17 | .450 (11.4) | 1.280 (32.5) | 1.125 (28.6) | .250 (6.4) | .625 (15.9) | | |
| 18 | 19 | .480 (12.2) | 1.370 (34.8) | 1.188 (30.2) | .312 (7.9) | .750 (19.1) | | |
| 20 | 21 | .480 (12.2) | 1.560 (39.6) | 1.312 (33.3) | .375 (9.5) | .875 (22.2) | | |
| 22 | 23 | .480 (12.2) | 1.750 (44.5) | 1.437 (36.5) | .406 (10.3) | .937 (23.8) | | |
| 24 | 25 | .480 (12.2) | 1.810 (46.0) | 1.562 (39.7) | .562 (14.3) | 1.000 (25.4) | | |

1. Cable Entry is defined as the accommodation entry for the wire bundle or cable. Dimensions are not intended for inspection criteria.
2. Metric dimensions (mm) are indicated in parentheses.