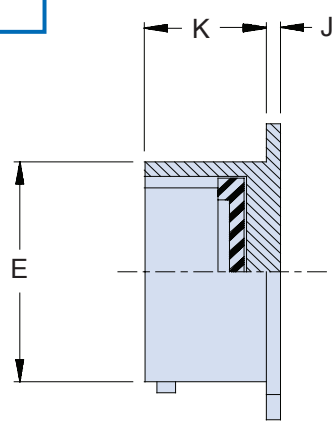
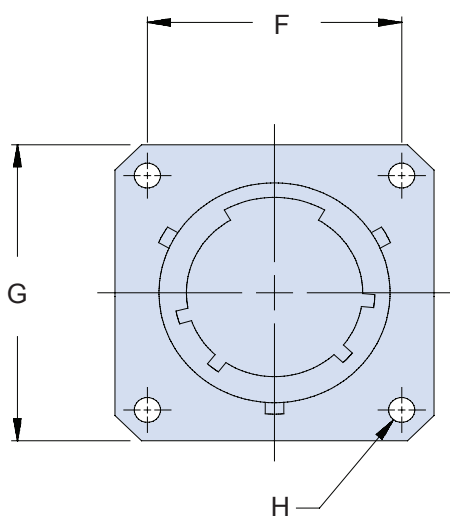




# 650FS001 Dummy Storage Receptacle for MIL-DTL-38999 Series I Connector

Basic Number	Shell Size
<b>650FS001</b>	<b>M 17</b>
Finish (Table II)	



**APPLICATION NOTES**

1. See applicable Military Specification for complete dimensions.
2. Metric dimensions (mm) are indicated in parentheses.

TABLE II: FINISHES	
Symbol	Finish
<b>B</b>	Cadmium Plate, Olive Drab
<b>C</b>	Anodize, Black
<b>GB</b>	Black Anodize, Hard Coat
<b>M</b>	Electroless Nickel
<b>N</b>	Cad Plate, Olive Drab over Electroless Nickel
<b>NF</b>	Cadmium Plate, Olive Drab over Electroless Nickel
<b>MT</b>	Ni-PTFE 1000 Hour Grey™ Nickel Fluorocarbon Polymer
<b>ZN</b>	Zinc-Nickel

TABLE I: DIMENSIONS						
Shell Size	E Max	F Dim	G ±.020 (0.5)	H Nom	J +.015 (0.4) - .000	K ±.010 (0.3)
9	.572 (14.5)	.719 (18.3)	.938 (23.8)	.128 (3.3)	.085 (2.2)	.727 (18.5)
11	.701 (17.8)	.812 (20.6)	1.031 (26.2)	.128 (3.3)	.085 (2.2)	.727 (18.5)
13	.851 (21.6)	.906 (23.0)	1.125 (28.6)	.128 (3.3)	.085 (2.2)	.727 (18.5)
15	.976 (24.8)	.969 (24.6)	1.219 (31.0)	.128 (3.3)	.085 (2.2)	.727 (18.5)
17	1.101 (28.0)	1.062 (27.0)	1.312 (33.3)	.128 (3.3)	.085 (2.2)	.727 (18.5)
19	1.208 (30.7)	1.156 (29.4)	1.438 (36.5)	.128 (3.3)	.085 (2.2)	.727 (18.5)
21	1.333 (33.9)	1.250 (31.8)	1.562 (39.7)	.128 (3.3)	.115 (2.9)	.697 (17.7)
23	1.458 (37.0)	1.375 (34.9)	1.688 (42.9)	.147 (3.7)	.115 (2.9)	.697 (17.7)
25	1.583 (40.2)	1.500 (38.1)	1.812 (46.0)	.147 (3.7)	.115 (2.9)	.697 (17.7)

H