

CONNECTOR DESIGNATOR:
A

 AS5015 Series AS34001 Crimp,
 MIL-DTL-26482 Series II,
 SAE-AS1703 Crimp Series III,
 MIL-DTL-83723 Series I & III

**Product Series and
Basic Part Number**
M85049/120
Dash No.

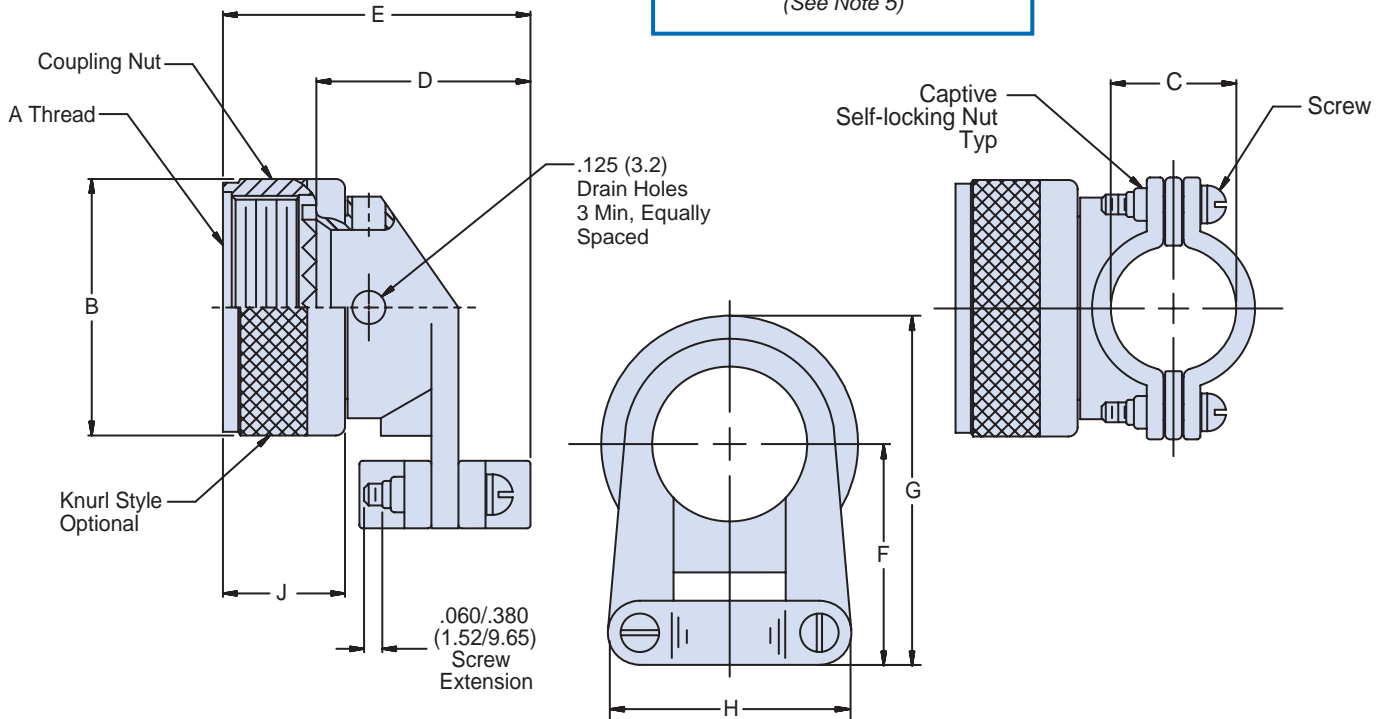
 Table I
 Page 62-26

S
08
Finish

 Table II
 Page 62-26

W

S = Detented Self-Locking
N = Non-Detented Self-Locking
 Use Dash (-) for Non-Self-Locking
 (See Note 5)


APPLICATION NOTES

1. Assembly to be identified with manufacturer's name and part number, space permitting.
2. Glenair Series 600 Backshell Assembly Tools are recommended for assembly and installation.
3. Metric equivalents in parentheses (mm) are given for general information only and are based on 1.000 inch = 25.4 mm.
4. Cable entry is measured with saddle bars closed and bottomed on clamp ears.
5. Detented self-locking has a positive audible detented coupling.
6. Material/Finish:
 Clamp body, coupling nut, saddles - Al alloy or 300 Series SST/See Table II.
 Clamp screws and lock nuts - CRES/Passivated, Silver plate optional.
 Anti-rotation device - Corrosion resistant material

Dimensions in inches (millimeters) and are subject to change without notice.

AS85049/120
90° Strain Relief
Self-Locking or Non-Self-Locking



AS85049

B

TABLE I: Dash Number, Shell Size, Thread and Dimensions (Continued Below)

Dash No.	Screw Size	MIL-DTL-83723 Series III	MIL-DTL-5015 MS3400 Series	AS81703 Series III	MIL-DTL-26482 Series II	A Thread Class 2B	B Dia Max	C Dim ± .031 (0.8)	D Max	E Max Length
03	4-40	--	--	3	--	9/16-24 UNEF	.95 (24.1)	.219 (5.6)	.93 (23.6)	1.29 (32.8)
08	4-40	8	8S	--	8	1/2-20 UNF	.89 (22.6)	.219 (5.6)	.93 (23.6)	1.29 (32.8)
10	4-40	10	10S, 10SL	--	10	5/8-20 UNEF	1.01 (25.7)	.264 (6.7)	1.02 (25.9)	1.38 (35.1)
12	4-40	12	12, 12S	7	12	3/4-20 UNEF	1.14 (29.0)	.344 (8.7)	1.21 (30.7)	1.57 (39.9)
14	4-40	14	14, 14S	12	14	7/8-20 UNEF	1.26 (32.0)	.460 (11.7)	1.27 (32.3)	1.63 (41.4)
16	4-40	16	16, 16S	19	16	1-20 UNEF	1.39 (35.3)	.545 (13.8)	1.42 (36.1)	1.78 (45.2)
18	6-32	18	18	27	18	1 1/16-18 UNEF	1.51 (38.4)	.615 (15.6)	1.53 (38.9)	1.89 (48.0)
20	6-32	20	20	37	20	1 3/16-18 UNEF	1.64 (41.7)	.698 (17.7)	1.65 (41.9)	2.01 (51.1)
22	6-32	22	22	--	24	1 5/16-18 UNEF	1.176 (44.7)	.780 (19.8)	1.78 (45.2)	2.14 (54.4)
24	8-32	24	24	--	--	1 7/16-18 UNEF	1.89 (48.0)	.850 (21.6)	1.90 (48.3)	2.26 (57.4)
28	8-32	--	28	--	--	1 3/4-18 UNS	2.14 (54.4)	.950 (24.1)	2.20 (55.9)	2.72 (69.1)
32	8-32	--	32	--	--	2-18 UNS	2.40 (61.0)	1.015 (25.8)	2.27 (57.7)	2.79 (70.9)
36	8-32	--	36	--	--	2 1/4-16 UN	2.64 (67.1)	1.187 (30.1)	2.39 (60.7)	3.91 (73.9)
40	8-32	--	40	--	--	2 1/2-16 UN	2.89 (73.4)	1.220 (31.0)	2.52 (64.0)	3.04 (77.2)
44	8-32	--	44	--	--	2 3/4-16 UN	3.14 (79.8)	1.500 (38.1)	2.77 (70.4)	3.29 (83.6)
48	8-32	--	48	--	--	3-16 UN	3.39 (86.1)	1.625 (41.3)	2.89 (73.4)	3.41 (86.6)
61	8-32	--	--	61	--	1 1/2-18 UNEF	1.95 (49.5)	.850 (21.6)	1.90 (48.3)	2.26 (57.4)

TABLE I: (Continued from Above)

Dash No.	Screw Size	MIL-DTL-83723 Series III	MIL-DTL-5015 MS3400 Series	AS81703 Series III	MIL-DTL-26482 Series II	F Dim Max	G Dim Max	H Dim Max	J Dim Max
03	4-40	--	--	3	--	.84 (21.3)	1.32 (33.5)	.88 (22.4)	.710 (18.0)
08	4-40	8	8S	--	8	.81 (20.6)	1.26 (32.0)	.88 (22.4)	.710 (18.0)
10	4-40	10	10S, 10SL	--	10	.87 (22.1)	1.38 (35.1)	.94 (23.9)	.710 (18.0)
12	4-40	12	12, 12S	7	12	.93 (23.6)	1.50 (38.1)	1.12 (28.4)	.710 (18.0)
14	4-40	14	14, 14S	12	14	1.00 (25.4)	1.62 (41.4)	1.19 (30.2)	.710 (18.0)
16	4-40	16	16, 16S	19	16	1.06 (26.9)	1.75 (44.5)	1.44 (36.6)	.710 (18.0)
18	6-32	18	18	27	18	1.23 (31.2)	1.99 (50.5)	1.56 (39.6)	.710 (18.0)
20	6-32	20	20	37	20	1.30 (33.0)	2.07 (52.6)	1.69 (42.9)	.710 (18.0)
22	6-32	22	22	--	24	1.36 (34.5)	2.25 (57.2)	1.75 (44.5)	.710 (18.0)
24	8-32	24	24	--	--	1.42 (36.1)	2.37 (60.2)	1.88 (47.8)	.710 (18.0)
28	8-32	--	28	--	--	1.63 (41.4)	2.70 (68.6)	2.12 (53.8)	.890 (22.6)
32	8-32	--	32	--	--	1.86 (47.2)	3.05 (77.5)	2.50 (63.5)	.890 (22.6)
36	8-32	--	36	--	--	1.98 (50.3)	3.30 (83.8)	2.62 (66.5)	.890 (22.6)
40	8-32	--	40	--	--	2.10 (53.3)	3.55 (90.2)	2.68 (68.1)	.890 (22.6)
44	8-32	--	44	--	--	2.36 (59.9)	3.93 (99.8)	3.00 (76.2)	.890 (22.6)
48	8-32	--	48	--	--	2.48 (63.0)	4.18 (106.2)	3.50 (88.9)	.890 (22.6)
61	8-32	--	--	61	--	1.45 (36.8)	2.43 (61.7)	1.88 (47.8)	.710 (18.0)

TABLE II: Material and Finish

Symbol	Material	Finish
A	Aluminum Alloy	Black Anodize
N		Electroless Nickel
W		Cadmium, Olive Drab
X		Nickel Fluorocarbon Polymer
Y		Pure Dense Electrodeposited Aluminum
Z		Zinc Nickel
S	300 Series SST	Passivated

Dimensions in inches (millimeters) and are subject to change without notice.