

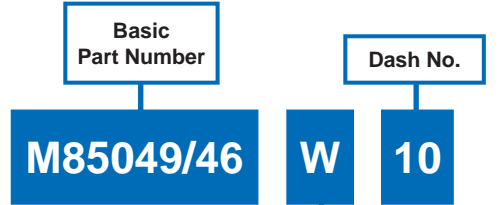
AS85049/46 and MS27663-2 90° Non-Self-Locking Composite Strain Relief



AS85049

B

CONNECTOR DESIGNATOR:	
F	MIL-DTL-38999 Series I and II



Finish	
A	Anodize, Black
W	1,000 Hour Cadmium Olive Drab over Electroless Nickel
X	Nickel Fluorocarbon Polymer
Y	Pure Dense Electrodeposited Aluminum
Z	Zinc-Nickel, Black

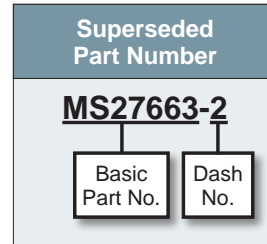
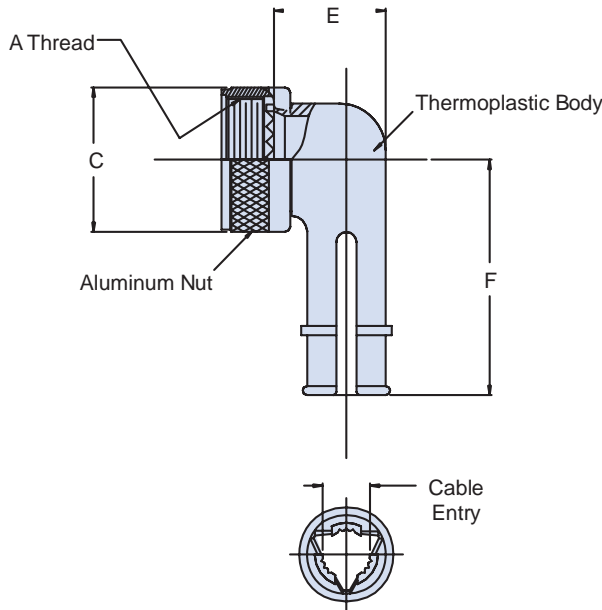


TABLE I: Shell Size, Cable Entry and Backshell Dimensions												
Dash No.	Shell Size Ref.	A Thread Class 2B	Ø C Max	E Max		F Max		Cable Entry				
								Min	Max	Min	Max	
8	8/9	.438 - 28 UNEF	.578	(14.7)	.656	(16.7)	1.015	(25.8)	.094	(2.4)	.203	(5.2)
10	10/11	.562 - 24 UNEF	.703	(17.9)	.688	(17.5)	1.062	(27.0)	.141	(3.6)	.250	(6.4)
12	12/13	.688 - 24 UNEF	.828	(21.0)	.750	(19.1)	1.125	(28.6)	.172	(4.4)	.323	(8.2)
14	14/15	.813 - 20 UNEF	.953	(24.2)	.859	(21.8)	1.328	(33.7)	.203	(5.2)	.422	(10.7)
16	16/17	.938 - 20 UNEF	1.078	(27.4)	.937	(23.8)	1.392	(35.4)	.234	(5.9)	.500	(12.7)
18	18/19	1.063 - 18 UNEF	1.203	(30.6)	1.000	(25.4)	1.453	(36.9)	.265	(6.7)	.562	(14.3)
20	20/21	1.188 - 18 UNEF	1.328	(33.7)	1.062	(27.0)	1.609	(40.9)	.297	(7.5)	.625	(15.9)
22	22/23	1.313 - 18 UNEF	1.453	(36.9)	1.141	(29.0)	1.656	(42.1)	.328	(8.3)	.703	(17.9)
24	24/25	1.438 - 18 UNEF	1.578	(40.1)	1.203	(30.6)	1.719	(43.7)	.359	(9.1)	.765	(19.4)

APPLICATION NOTES	
1.	Assembly to be identified with manufacturer's name and part number, space permitting.
2.	Cable Entry is defined as the accommodation entry for the wire bundle or cable. Dimensions are not intended for inspection criteria.
3.	For complete dimensions, see the applicable Military Specification.
4.	Metric dimensions (mm) are in parentheses.

Dimensions in inches (millimeters) and are subject to change without notice.