

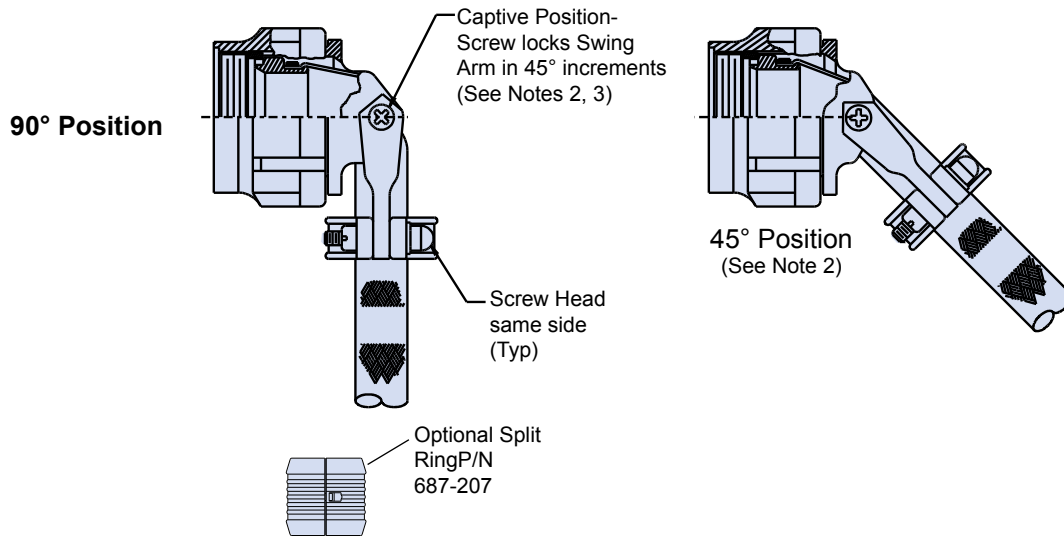
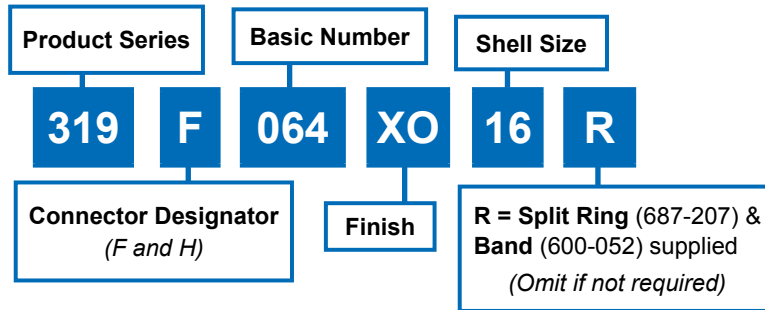


**319-064**  
**Composite Self-Locking Rotatable Coupling**  
 Swing-Arm Strain Relief with  
 Nickel/Copper EMI/RFI Shield Sock & Optional Split Ring

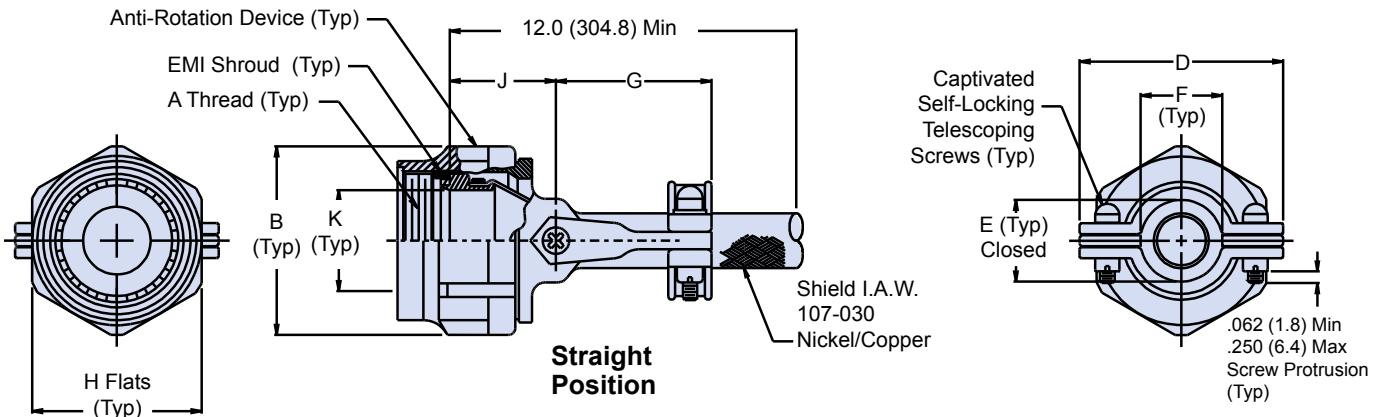
**CONNECTOR  
 DESIGNATOR**

MIL-DTL-38999 Series I, II (F)  
 (for Series II see note 6)  
 MIL-DTL-38999 Series III and IV (H)

**F-H**  
**SELF-LOCKING**  
**ROTATABLE  
 COUPLING**



U.S. PATENT NO. 6419519



H

**319-064**  
**Composite Self-Locking Rotatable Coupling**  
**Composite Swing-Arm Strain Relief with**  
**Nickel/Copper EMI/RFI Shield Sock & Optional Split Ring**



**TABLE II: FINISHES**

| Symbol     | Finish  |
|------------|---|
| <b>XB</b>  | Composite Material, No Plating, Color Black, Brass Interface Shroud and Adapter - Nickel Plated   |
| <b>XMT</b> | Composite Material, No Plating, Color Black and Brown, Brass Interface Shroud and Adapter - Ni-PTFE 1000 Hour Grey™ (Nickel-Fluorocarbon Polymer) |
| <b>XN</b>  | Composite Material, No Plating, Color Black and Brown, Brass Interface Shroud and Adapter - Selectively Cadmium Plated                            |
| <b>XO</b>  | Composite Material, No Plating, Color Black and Brown, Brass Interface Shroud and Adapter - Nickel Plated   |

**TABLE III: CONNECTOR SHELL SIZE ORDER NUMBER**

| Shell Size for Connector Designator |    | B Dia Max    | D Max        | E ±.06 (1.5) | F Min       | G Max        | H Flats      |              | J ±.06 (1.5) | K Ref        |
|-------------------------------------|----|--------------|--------------|--------------|-------------|--------------|--------------|--------------|--------------|--------------|
| F                                   | H  |              |              |              |             |              | Max          | Min          |              |              |
| 08                                  | 09 | .812 (20.6)  | .980 (24.9)  | .265 (6.7)   | .220 (5.9)  | 1.060 (26.9) | .750 (19.1)  | .736 (18.7)  | .940 (23.9)  | .265 (6.7)   |
| 10                                  | 11 | .938 (23.8)  | 1.050 (26.7) | .310 (7.9)   | .270 (6.9)  | 1.090 (27.7) | .875 (22.2)  | .860 (21.8)  | .970 (24.6)  | .370 (9.4)   |
| 12                                  | 13 | 1.125 (28.6) | 1.200 (30.5) | .390 (9.9)   | .350 (8.9)  | 1.180 (30.0) | 1.000 (25.4) | .980 (24.9)  | 1.030 (26.2) | .506 (12.9)  |
| 14                                  | 15 | 1.250 (31.8) | 1.300 (33.0) | .506 (12.9)  | .470 (11.9) | 1.240 (31.5) | 1.125 (28.6) | 1.100 (27.9) | 1.090 (27.7) | .580 (14.7)  |
| 16                                  | 17 | 1.375 (34.9) | 1.440 (36.6) | .591 (15.0)  | .550 (14.0) | 1.320 (33.5) | 1.250 (31.8) | 1.224 (31.1) | 1.120 (28.4) | .705 (17.9)  |
| 18                                  | 19 | 1.500 (38.1) | 1.560 (39.6) | .661 (16.8)  | .620 (15.7) | 1.390 (35.3) | 1.375 (34.9) | 1.469 (37.3) | 1.150 (29.2) | .784 (19.9)  |
| 20                                  | 21 | 1.625 (41.3) | 1.690 (42.9) | .744 (18.9)  | .700 (17.8) | 1.550 (39.4) | 1.500 (38.1) | 1.500 (38.1) | 1.180 (30.0) | .909 (23.1)  |
| 22                                  | 23 | 1.750 (44.5) | 1.770 (45.0) | .826 (21.0)  | .780 (19.8) | 1.550 (39.4) | 1.625 (41.3) | 1.581 (40.2) | 1.250 (31.8) | 1.034 (26.3) |
| 24                                  | 25 | 1.875 (47.6) | 1.890 (48.0) | .896 (22.8)  | .850 (21.6) | 1.610 (40.9) | 1.750 (44.5) | 1.960 (49.8) | 1.280 (32.5) | 1.149 (29.2) |

Consult factory for additional entry sizes available.

**APPLICATION NOTES**

- Glenair series 600 Backshell assembly Tools are recommended for assembly and installation.
- Swing Arm locks in 45° increments—Sizes 08 thru 24, additional positioning increments are manufacturer's option.
- Captive Screw can remain engaged to the body when positioning the Arm. When tightened, the Screw shall not protrude into the inside surfaces.
- Fits Connector Designators: MIL-DTL-38999 Series I, II (F), MIL-DTL-38999 Series III and IV (H), MIL-DTL-5015 (A), and MIL-DTL-26482 (A).
- Metric dimensions (mm) are indicated in parentheses.
- For Mil-DTL-38999 Series II, add Mod Code -475. Backshell supplied less shroud.