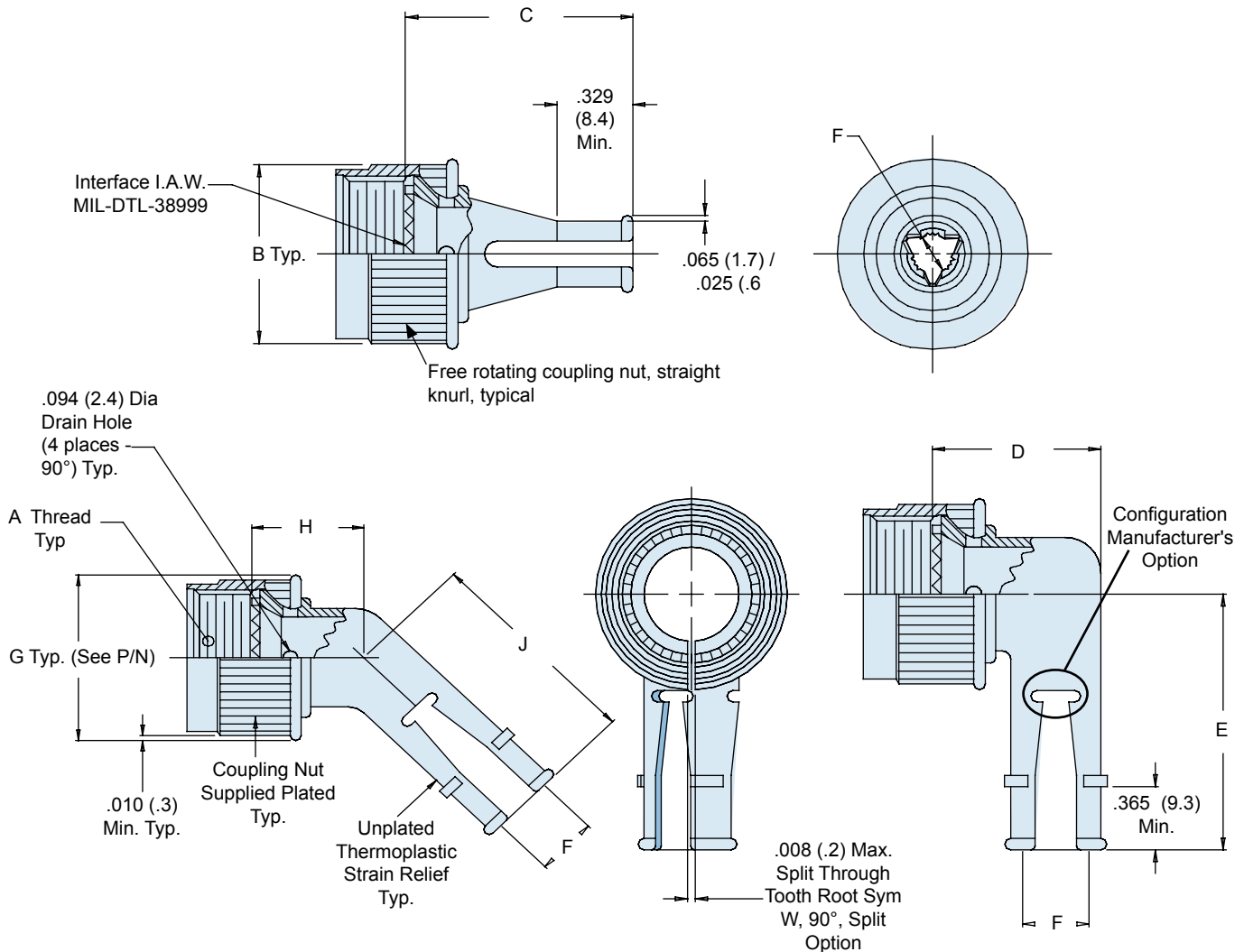
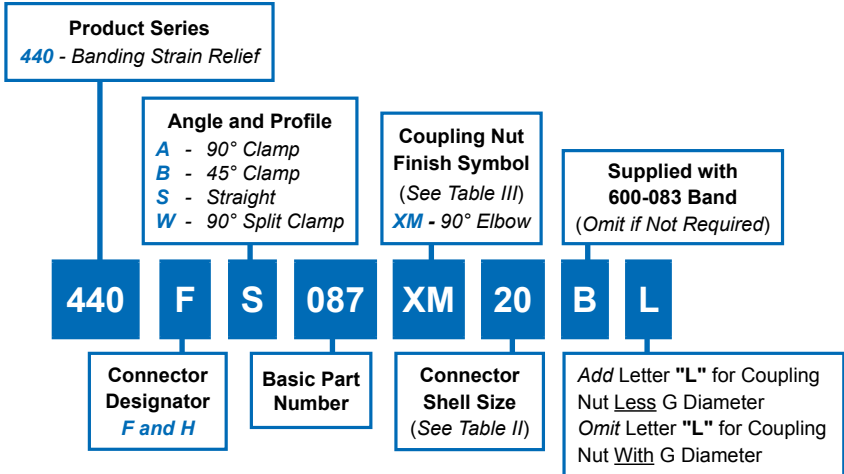


A

CONNECTOR DESIGNATOR:	
<b>F</b>	MIL-DTL-38999 Series I, II
<b>H</b>	MIL-DTL-38999 Series III and IV
<b>ROTATABLE COUPLING</b>	
<b>STANDARD PROFILE</b>	



440-087  
Ultra Lightweight Banding Strain Relief  
with Rotatable Coupling



TABLE II: CONNECTOR SHELL SIZE ORDER NUMBER

Shell Size For Connector Designator		B	C	D		E
H	F	Max	Max	+03 -06	(.8) (1.5)	Max
09	08	.562 (14.3)	1.22 (31.0)	.66	(16.8)	1.02 (25.9)
11	10	.688 (17.5)	1.22 (31.0)	.69	(17.5)	1.07 (27.2)
13	12	.817 (20.8)	1.22 (31.0)	.75	(19.1)	1.13 (28.7)
15	14	.930 (23.6)	1.22 (31.0)	.86	(21.8)	1.33 (33.8)
17	16	1.062 (27.0)	1.22 (31.0)	.94	(23.9)	1.40 (35.6)
19	18	1.188 (30.2)	1.22 (31.0)	1.00	(25.4)	1.46 (37.1)
21	20	1.312 (33.3)	1.30 (33.0)	1.07	(27.2)	1.61 (40.9)
23	22	1.438 (36.5)	1.30 (33.0)	1.15	(29.2)	1.66 (42.2)
25	24	1.562 (39.7)	1.30 (33.0)	1.21	(30.7)	1.72 (43.7)

TABLE II: CONNECTOR SHELL SIZE ORDER NUMBER (CONT.)

Shell Size For Connector Designator		F Cable Dia		G	H	J
H	F	Minimum	Maximum	Max	Max	Max
09	08	.094 (2.4)	.203 (5.2)	.65 (16.5)	.470 (11.9)	1.02 (25.9)
11	10	.141 (3.6)	.250 (6.4)	.76 (19.3)	.482 (12.2)	1.07 (27.2)
13	12	.172 (4.4)	.323 (8.2)	.89 (22.6)	.494 (12.5)	1.13 (28.7)
15	14	.203 (5.2)	.422 (10.7)	1.04 (26.4)	.530 (13.5)	1.33 (33.8)
17	16	.234 (5.9)	.500 (12.7)	1.16 (29.5)	.557 (14.1)	1.40 (35.6)
19	18	.265 (6.7)	.562 (14.3)	1.28 (32.5)	.576 (14.6)	1.46 (37.1)
21	20	.297 (7.5)	.625 (15.9)	1.40 (35.6)	.600 (15.2)	1.61 (40.9)
23	22	.328 (8.3)	.703 (17.9)	1.51 (38.4)	.627 (15.9)	1.66 (42.2)
25	24	.359 (9.1)	.765 (19.4)	1.63 (41.4)	.653 (16.6)	1.72 (43.7)

NOTES

- Metric dimensions (mm) are in parenthesis and are for reference only.
- See Table I in Intro for front-end dimensional details.

TABLE III: FINISH

Symbol	Material / Finish Description
XM	Coupling Nut: Aluminum / Electroless Nickel Body: Thermoplastic / Black Color
XMT	Coupling Nut: Aluminum / 1000 Hour Grey™ Body: Thermoplastic / Black Color
XW	Coupling Nut: Aluminum / Cad O.D. over Electroless Nickel Body: Thermoplastic / Black Color