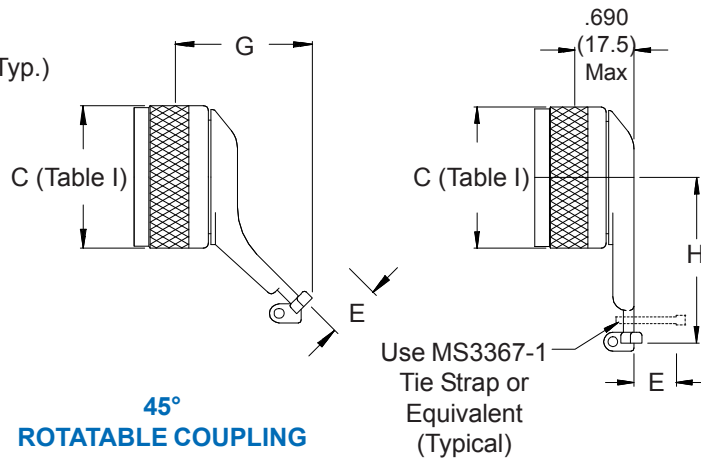


**CONNECTOR  
DESIGNATOR**
**A**

**STRAIGHT  
ROTATABLE COUPLING**

**45°  
ROTATABLE COUPLING**

**90°  
ROTATABLE COUPLING**

See inside back cover fold-out or pages 13 and 14 for Tables I and II.

**TABLE III: DIMENSIONS**

| Shell Size | E<br>Cable Entry | F<br>Max     | G<br>Max     | H<br>Max     |
|------------|------------------|--------------|--------------|--------------|
| 08         | .260 (6.6)       | .866 (22.0)  | 1.066 (27.1) | .890 (22.6)  |
| 10         | .365 (9.3)       | .866 (22.0)  | 1.066 (27.1) | .950 (24.1)  |
| 12         | .501 (12.7)      | .926 (23.5)  | 1.066 (27.1) | 1.010 (25.7) |
| 14         | .575 (14.6)      | 1.106 (28.1) | 1.188 (30.2) | 1.330 (33.8) |
| 16         | .700 (17.8)      | 1.106 (28.1) | 1.226 (31.1) | 1.390 (35.3) |
| 18         | .779 (19.8)      | 1.176 (29.9) | 1.226 (31.1) | 1.460 (37.1) |
| 20         | .904 (23.0)      | 1.306 (33.2) | 1.226 (31.1) | 1.510 (38.4) |
| 22         | 1.029 (26.1)     | 1.426 (36.2) | 1.226 (31.1) | 1.570 (39.9) |
| 24         | 1.144 (29.1)     | 1.556 (39.5) | 1.226 (31.1) | 1.640 (41.7) |

1. Cable Entry is defined as the accommodation entry for the wire bundle or cable. Dimensions are not intended for inspection criteria.
2. Metric dimensions (mm) are indicated in parentheses.