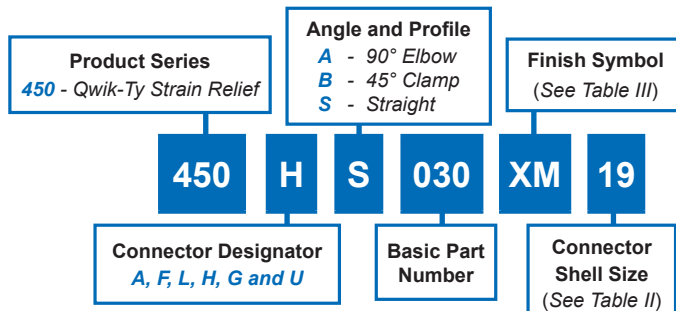


450-030 Composite Qwik-Ty® Strain-Relief with Self-Locking Rotatable Coupling and Ground Lug Straight, 45° and 90°



Composite Backshells

CONNECTOR DESIGNATOR:	
A	MIL-DTL-5015, -26482 Series II, and -83723 Series I and III
F	MIL-DTL-38999 Series I, II
L	MIL-DTL-38999 Series 1.5 (JN1003)
H	MIL-DTL-38999 Series III and IV
G	MIL-DTL-28840
U	DG123 and DG123A
SELF-LOCKING	
ROTATABLE COUPLING	
LOW PROFILE	



A

TABLE III: FINISH	
Symbol	Finish Description
XM	2000 Hour Corrosion Resistant Electroless Nickel
XMT	2000 Hour Corrosion Resistant Ni-PTFE, Nickel-Fluorocarbon Polymer. 1000 Hour Grey™
XW	2000 Hour Corrosion Resistant Cadmium/Olive Drab over Electroless Nickel
XB	No Plating - Black Material
XO	No Plating - Brown Material

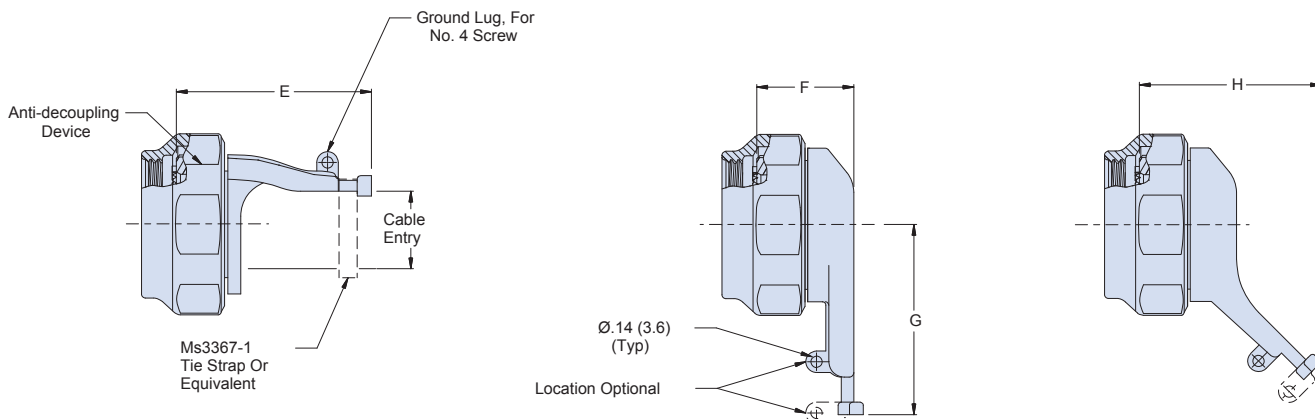


TABLE II: CONNECTOR SHELL SIZE ORDER NUMBER																
Shell Size For Connector Designator*					E Code A,F,H		E Code G,U		F	G	H	Cable Entry				
A	F/L	H	G	U	Max	Max	Max	Max	Max	Max	Max	Max	Max	Max	Max	
08	08	09	-	-	1.14	(29.0)	-	.75	(19.0)	1.22	(31.0)	1.14	(29.0)	.25	(6.4)	
10	10	11	-	08	1.14	(29.0)	1.30	(33.0)	.75	(19.0)	1.29	(32.8)	1.14	(29.0)	.38	(9.7)
12	12	13	11	10	1.20	(30.5)	1.36	(34.5)	.75	(19.0)	1.62	(41.1)	1.14	(29.0)	.50	(12.7)
14	14	15	13	12	1.38	(35.1)	1.54	(39.1)	.75	(19.0)	1.66	(42.2)	1.64	(41.7)	.63	(16.0)
16	16	17	15	14	1.38	(35.1)	1.54	(39.1)	.75	(19.0)	1.72	(43.7)	1.64	(41.7)	.75	(19.1)
18	18	19	17	16	1.44	(36.6)	1.69	(42.9)	.75	(19.0)	1.72	(43.7)	1.74	(44.2)	.81	(21.8)
20	20	21	19	18	1.57	(39.9)	1.73	(43.9)	.75	(19.0)	1.79	(45.5)	1.74	(44.2)	.94	(23.9)
22	22	23	-	20	1.69	(42.9)	1.91	(48.5)	.75	(19.0)	1.85	(47.0)	1.74	(44.2)	1.06	(26.9)
24	24	25	23	22	1.83	(46.5)	1.99	(50.5)	.75	(19.0)	1.91	(48.5)	1.95	(49.5)	1.19	(30.2)
28	-	-	25	24	1.99	(50.5)	2.15	(54.6)	.75	(19.0)	2.07	(52.6)	n/a		1.38	(35.1)