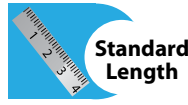
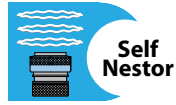
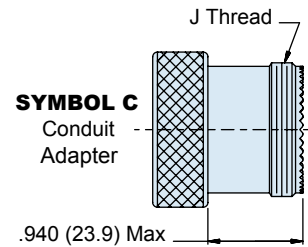
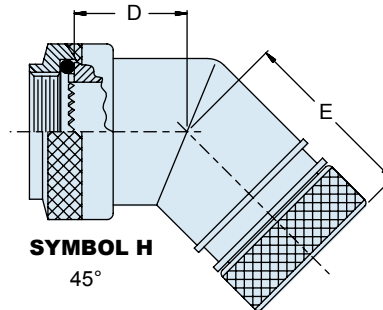
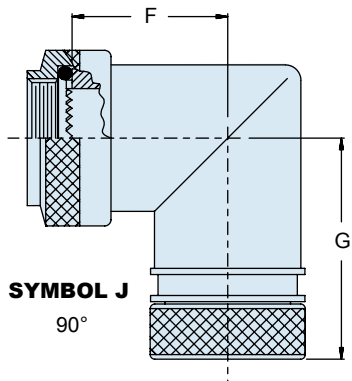
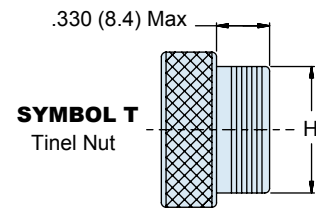
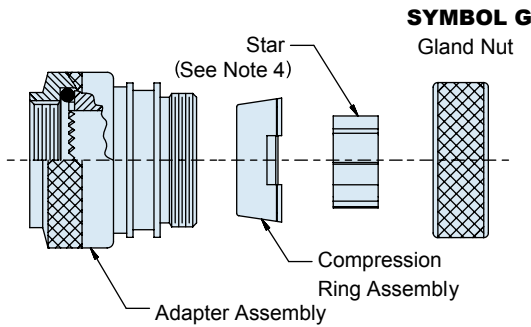
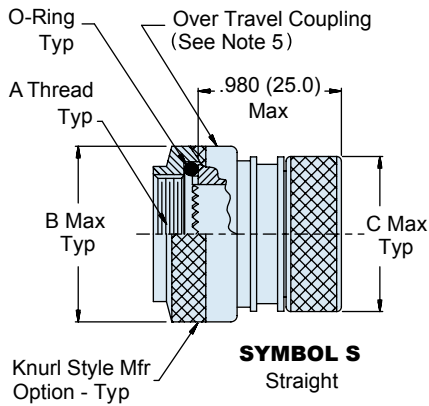
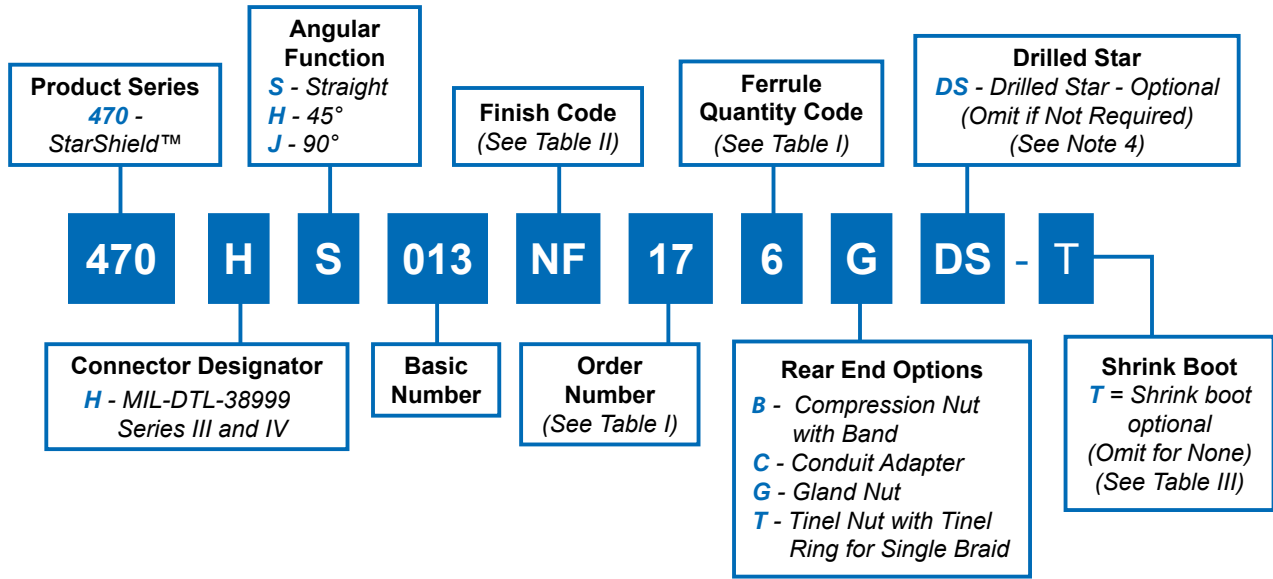




470-013
StarShield™ EMI/RFI Shield Termination Backshell
for MIL-DTL-38999 Series III and IV Connectors



StarShield™ environmental backshell with self-nestor coupling and rear end options



Dimensions in inches (millimeters) and are subject to change without notice.

470-013

StarShield™ EMI/RFI Shield Termination Backshell for MIL-DTL-38999 Series III and IV Connectors



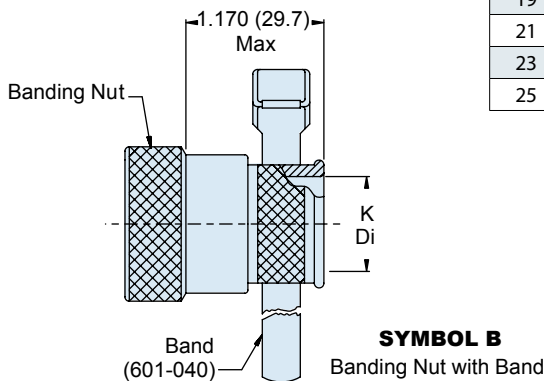
| Order No. | Connector Shell Size Ref | A Thread ISO Metric | B Dia Max | C Dia Max | D Max | E Max | F Max |
|-----------|--------------------------|---------------------|--------------|--------------|-------------|---------------|--------------|
| 09 | A/9 | M12 X 1 - 6H | .75 (19.0) | .690 (17.5) | .490 (12.5) | 1.000 (25.4) | .630 (16.0) |
| 11 | B/11 | M15 X 1 - 6H | .870 (22.0) | .850 (21.5) | .510 (13.0) | 1.020 (26.0) | .690 (17.5) |
| 13 | C/13 | M18 X 1 - 6H | 1.000 (25.4) | .890 (22.5) | .550 (14.0) | 1.040 (26.5) | .750 (19.0) |
| 15 | D/15 | M22 X 1 - 6H | 1.200 (30.5) | 1.000 (25.4) | .570 (14.5) | 1.080 (27.5) | .810 (20.5) |
| 17 | E/17 | M25 X 1 - 6H | 1.320 (33.5) | 1.120 (28.5) | .590 (15.0) | 1.100 ((28.0) | .870 (22.0) |
| 19 | F/19 | M28 X 1 - 6H | 1.460 (37.0) | 1.240 (31.5) | .610 (15.5) | 1.120 (28.5) | .930 (23.5) |
| 21 | G/21 | M31 X 1 - 6H | 1.520 (38.5) | 1.380 (35.0) | .650 (16.5) | 1.140 (29.0) | 1.000 (25.4) |
| 23 | H/23 | M34 X 1 - 6H | 1.650 (42.0) | 1.500 (38.0) | .670 (17.0) | 1.180 (30.0) | 1.060 (27.0) |
| 25 | J/25 | M37 X 1 - 6H | 1.830 (46.5) | 1.610 (41.0) | .710 (18.0) | 1.220 (31.0) | 1.120 (28.5) |

| Order No. | G Max | H ± .003 (.08) | J Thread ISO Metric | K ± .004 (.10) | Ferrule Quantity (See Note 4) | |
|-----------|--------------|----------------|---------------------|----------------|-------------------------------|------|
| | | | | | Std. | Opt. |
| 09 | 1.140 (29.0) | .435 (11.0) | M12 X 1 - 6g | .315 (8.00) | 1 | - |
| 11 | 1.200 (30.5) | .623 (15.8) | M15 X 1 - 6g | .531 (13.5) | 2 | - |
| 13 | 1.260 (32.0) | .746 (18.9) | M18 X 1 - 6g | .591 (15.0) | 3 | - |
| 15 | 1.320 (33.5) | .871 (22.1) | M22 X 1 - 6g | .709 (18.0) | 5 | - |
| 17 | 1.380 (35.0) | .996 (25.3) | M25 X 1 - 6g | .827 (21.0) | 6 | 7 |
| 19 | 1.440 (36.5) | 1.121 (28.5) | M28 X 1 - 6g | .945 (24.0) | 7 | - |
| 21 | 1.520 (38.5) | 1.245 (31.6) | M31 X 1 - 6g | 1.063 (27.0) | 9 | 11 |
| 23 | 1.570 (40.0) | 1.371 (34.8) | M34 X 1 - 6g | 1.181 (30.0) | 10 | 13 |
| 25 | 1.630 (41.5) | 1.371 (34.8) | M37 X 1 - 6g | 1.299 (33.0) | 12 | 17 |

| Code | Material; Finish Description |
|------|--|
| M | Aluminum; electroless nickel |
| MT | Aluminum; nickel - PTFE |
| NF | Aluminum; CAD/O. D. over electroless nickel |
| ZN | Aluminum; zinc nickel/O. D. over electroless nickel |
| ZR | Aluminum; zinc nickel/black over electroless nickel (RoHS) |
| ZRC | Aluminum; zinc nickel over electroless nickel (RoHS) |
| Z1 | Stainless steel; passivate |
| ZM | Stainless steel; electroless nickel |

| Material/Finish | |
|--|---------------------------------|
| Backshell, elbows, coupling and gland nut, compression ring and star | Aluminum alloy or CRES/Table II |
| Tinel ring | Nickel-titanium alloy/n.a. |
| Band | CRES/Passivate |
| O-ring | Silicone/n.a. |

| Shell Size | Shrink Boot Part Number |
|------------|-------------------------|
| 09 | 770-001S1 04 |
| 11 | 770-001S1 06 |
| 13 | 770-001S1 06 |
| 15 | 770-001S1 07 |
| 17 | 770-001S1 07 |
| 19 | 770-001S1 08 |
| 21 | 770-001S1 08 |
| 23 | 770-001S1 08 |
| 25 | 770-001S1 09 |



Notes:

1. Assembly identified with manufacturer's name, part number and date code, space permitting.
2. For effective grounding, connector with conductive finish should be used.
3. Glenair 600 Series Backshell Assembly Tools are recommended for assembly and installation.
4. Star not supplied with Order Number 09. Drilled star is available on order numbers 15-25 only. If optional ferrule quantity per Table I is selected, one split and one solid star will be supplied.
5. Over-travel coupling design provides self-seating and self-locking functionality, eliminating lock-wire requirements.
6. Ferrule kit sold separately.
687-764 ferrule and HST device kit
687-809 ferrule and sealing device kit
687-748 solder ferrule
687-841-01 HST flex device

Dimensions in inches (millimeters) and are subject to change without notice.