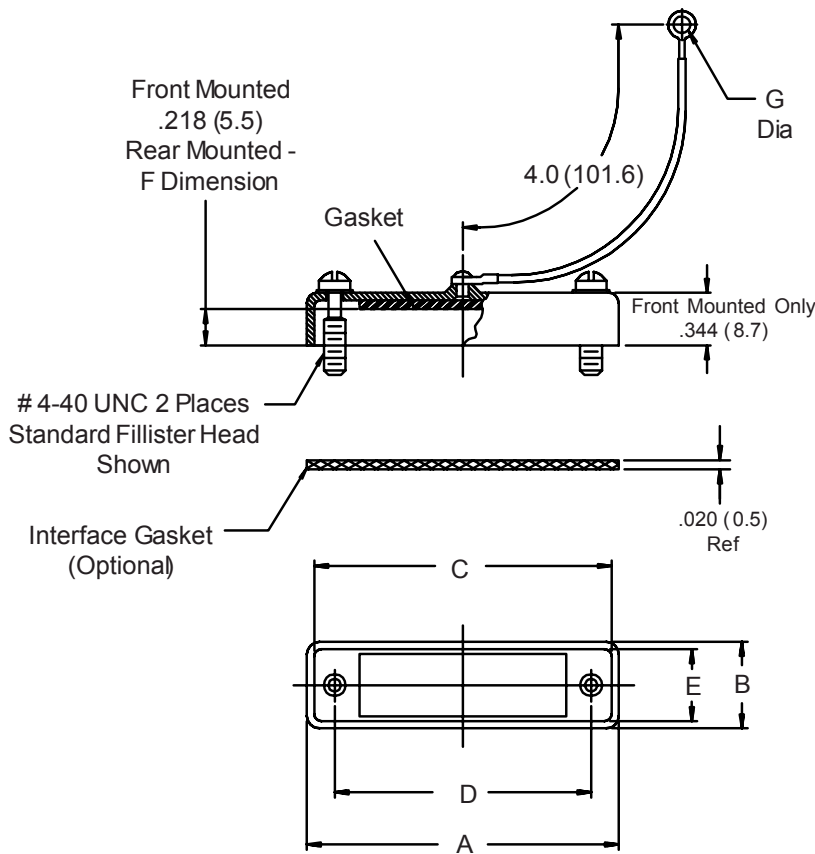




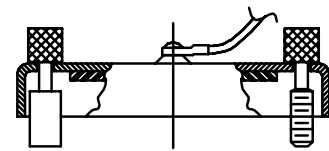
500-008 D-Subminiature Metal Protective Cover

500-008 M 1 R3 G A L -01

- Basic Part Number
- Finish Symbol (Page 3)
- Shell Size (Table I)
- Dash Number (Table II)
Omit for Front Mount
- G = Interface and Seal Gasket
(Omit for Seal Gasket Only)
- = No Seal and No Interface Gasket
- Optional Attachment Diameter
(Table III - Omit for Standard .182 (4.6))
- Attachment Type (Table IV)
- Hardware Options:
 - A = Socket Head
 - F = Male and Female Jackscrew
 - H = Hex Head Screw
 - J = Jackposts
 - K = Knurled Slotted Head
 - M = Extended Knurled Slotted Head
Omit for Standard Fillister Head



Hardware Options



Sym. F
Turnable Male and
Female Jackscrews

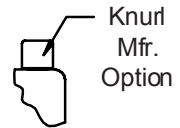


Sym. J
Jackpost

4-40 UNC



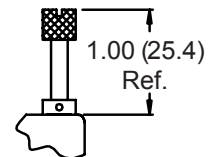
Sym. H
Hex Head
Screw



Sym. A
Socket Head



Sym. K
Knurled
Slotted Head



Sym. M
Extended Knurled
Slotted Head

1.00 (25.4)
Ref.

500-008
D-Subminiature
Metal Protective Cover



MIL-DTL-24308
D-Subminiature

TABLE I: SHELL SIZE

| Shell Size | A Max | B Max | C Ref | D | | E Ref |
|------------|-------------|------------|-------------|-------|--------|------------|
| | | | | ±.005 | (.1) | |
| 1 | 1.39 (35.3) | .51 (13.0) | 1.23 (31.2) | .984 | (25.0) | .41 (10.4) |
| 2 | 1.72 (43.7) | .51 (13.0) | 1.56 (39.6) | 1.312 | (33.3) | .41 (10.4) |
| 3 | 2.26 (57.4) | .51 (13.0) | 2.10 (53.3) | 1.852 | (47.0) | .41 (10.4) |
| 4 | 2.90 (73.7) | .51 (13.0) | 2.74 (69.6) | 2.500 | (63.5) | .41 (10.4) |
| 5 | 2.81 (71.4) | .62 (15.7) | 2.65 (67.3) | 2.406 | (61.1) | .52 (13.2) |
| 6 | 2.90 (73.7) | .68 (17.3) | 2.74 (69.6) | 2.500 | (63.5) | .58 (14.7) |

TABLE II: DASH NUMBER

| Dash No. | Panel | | F |
|----------|-----------|-------|------------|
| | Thickness | | |
| R1 | .031 | (.8) | .187 (4.7) |
| R2 | .047 | (1.2) | .171 (4.3) |
| R3 | .062 | (1.6) | .156 (4.0) |
| R4 | .093 | (2.4) | .125 (3.2) |
| R5 | .104 | (2.6) | .114 (2.9) |
| R6 | .125 | (3.2) | .096 (2.4) |
| R7 | .156 | (4.0) | .062 (1.6) |
| R8 | .138 | (3.5) | .080 (2.0) |

TABLE III: EYELET

| Dash No. | G Dia |
|----------|------------|
| 01 | .140 (3.6) |
| Omit | .182 (4.6) |
| 03 | .191 (4.9) |
| 04 | .197 (5.0) |
| 05 | .167 (4.2) |
| 06 | .125 (3.2) |
| 07 | .218 (5.5) |

TABLE IV: ATTACHMENT

| Sym | Attachment Type |
|------|--|
| D | Bead Chain, Cres, Passivated |
| Omit | Wire Rope, Nylon Jacket |
| Z | Nylon Rope |
| E | Wire Rope Teflon Jacket |
| L | Attachment Omitted |
| R | Wire Rope, PVC Jacket |
| T | Wire Rope, No Jacket |
| S | #8 Sash Chain, Cres., Passivate |
| U | Wire Rope, Polyurethane Jacket With Terminal |

1. Metric dimensions (mm) are indicated in parentheses.
2. Use with Glenair mounting kit 559-001 (Page A-114).