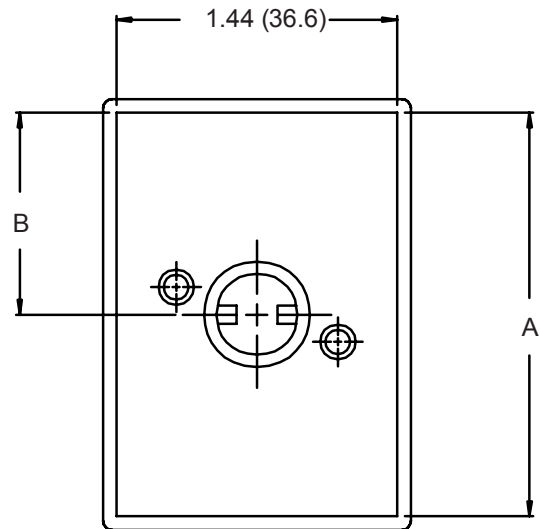
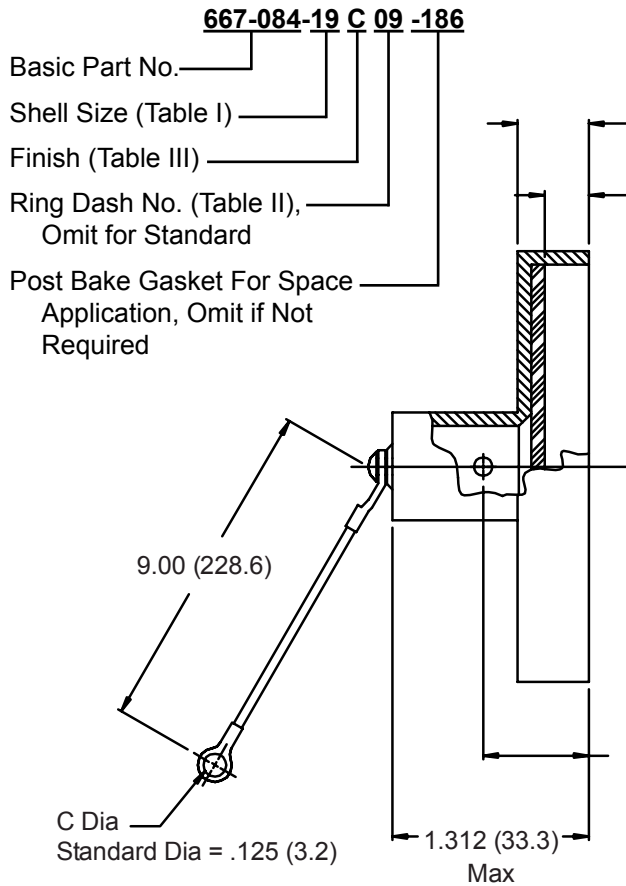


667-084 Protective Cover for Hypertronics NPJY Connectors



Dash No.	C Dia
01	.140 (3.6)
02	.182 (4.6)
03	.191 (4.9)
04	.197 (5.0)
05	.167 (4.2)
07	.218 (5.5)
09	.156 (4.0)

Shell Size	Mating Connector	A	B
11	NPJY11/	2.037 (51.7)	.913 (23.2)
15	NPJY15/	2.430 (61.7)	1.113 (28.3)
19	NPJY19/	2.830 (71.9)	1.313 (33.4)
23	NPJY23/	3.231 (82.1)	1.513 (38.4)
27	NPJY27/	3.631 (92.2)	1.713 (43.5)
31	NPJY31/	4.037 (102.5)	1.913 (48.6)
35	NPJY35/	4.430 (112.5)	2.113 (53.7)
45	NPJY45/	5.431 (137.9)	2.603 (66.1)

Symbol	Finish
B	Cadmium Plate, Olive Drab
C	Black Anodize
J	Iridite, Gold Over Cadmium Plate over Nickel
M	Electroless Nickel
N	Cadmium Plate, Olive Drab, Over Nickel
NF	Cadmium Plate, Olive Drab, Over Electroless Nickel (1000 Hour Salt Spray)
T	Cadmium Plate, Bright Dip Over Nickel (500 Hour Salt Spray)

**CONSULT FACTORY FOR
OTHER AVAILABLE FINISHES**

- Metric dimensions (mm) are indicated in parentheses.
- Material/Finish:
 Cover and Knob = Al Alloy/
 Table III
 Hardware = SST/Passivate
 Rope Covering =
 Fluoropolymer/N.A.
 Gasket = Silicone/N.A.