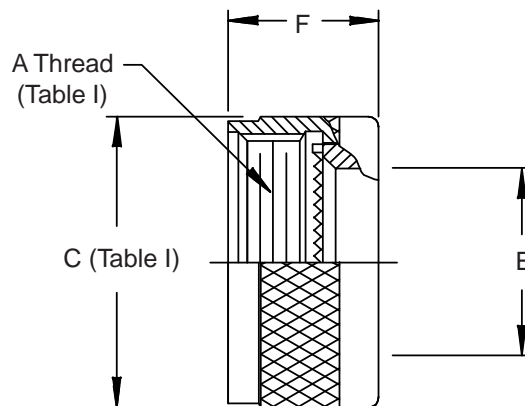
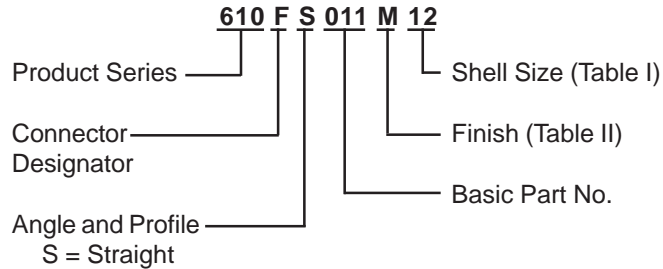


**CONNECTOR
DESIGNATORS
A-F-H-L-S
ROTATABLE
COUPLING**



See inside back cover fold-out or pages 13 and 14 for Tables I and II.

| TABLE III: CABLE ENTRY | | | | |
|------------------------|----|-------|--------|-------------|
| Shell Size | | | | |
| Conn. Desig. | H | E Dia | Ref | F |
| A-F-L-S | | | | Max |
| 08 | 09 | .270 | (6.9) | .710 (18.0) |
| 10 | 11 | .375 | (9.5) | .710 (18.0) |
| 12 | 13 | .511 | (13.0) | .710 (18.0) |
| 14 | 15 | .585 | (14.9) | .710 (18.0) |
| 16 | 17 | .710 | (18.0) | .710 (18.0) |
| 18 | 19 | .789 | (20.0) | .710 (18.0) |
| 20 | 21 | .914 | (23.2) | .710 (18.0) |
| 22 | 23 | 1.039 | (26.4) | .710 (18.0) |
| 24 | 25 | 1.154 | (29.3) | .710 (18.0) |
| 28 | | 1.389 | (35.3) | .890 (22.6) |
| 32 | | 1.635 | (41.5) | .890 (22.6) |
| 36 | | 1.850 | (47.0) | .890 (22.6) |

Metric dimensions (mm) are indicated in parentheses.