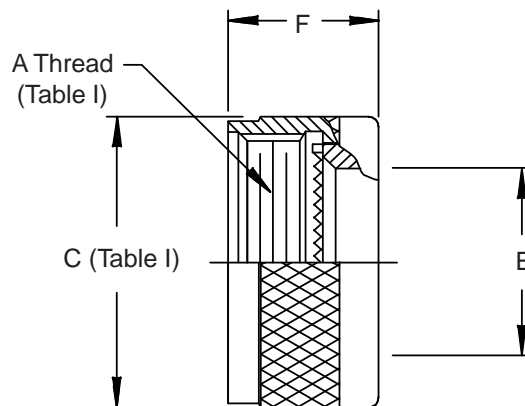
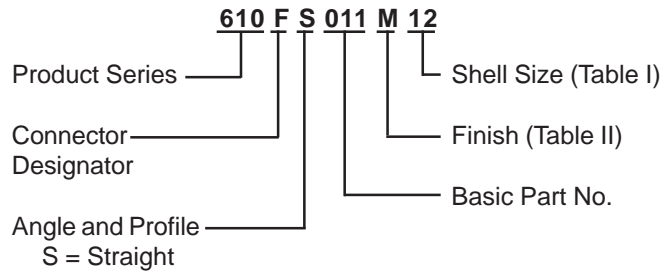


**CONNECTOR  
DESIGNATORS  
A-F-H-L-S  
ROTATABLE  
COUPLING**


See inside back cover fold-out or pages 13 and 14 for Tables I and II.

TABLE III: CABLE ENTRY				
Shell Size				
Conn. Desig.	H	E Dia		F
A-F-L-S		Ref		Max
08	09	.270	(6.9)	.710 (18.0)
10	11	.375	(9.5)	.710 (18.0)
12	13	.511	(13.0)	.710 (18.0)
14	15	.585	(14.9)	.710 (18.0)
16	17	.710	(18.0)	.710 (18.0)
18	19	.789	(20.0)	.710 (18.0)
20	21	.914	(23.2)	.710 (18.0)
22	23	1.039	(26.4)	.710 (18.0)
24	25	1.154	(29.3)	.710 (18.0)
28		1.389	(35.3)	.890 (22.6)
32		1.635	(41.5)	.890 (22.6)
36		1.850	(47.0)	.890 (22.6)

Metric dimensions (mm) are indicated in parentheses.