

**CONNECTOR
DESIGNATOR
A-F-H-L-S
SELF-LOCKING
ROTATABLE
COUPLING**

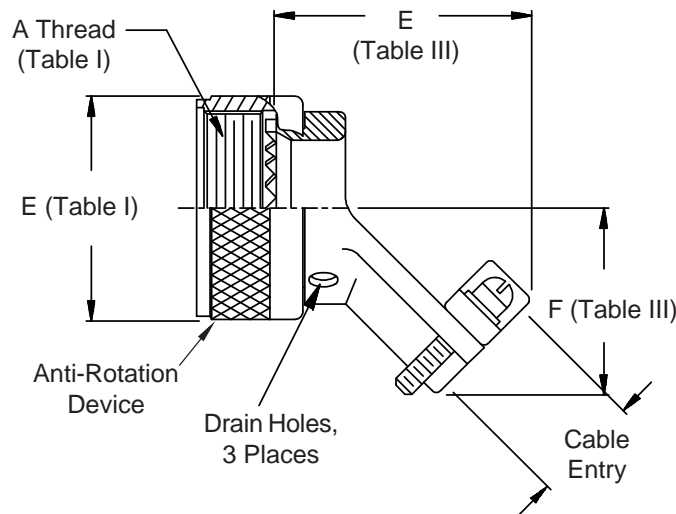
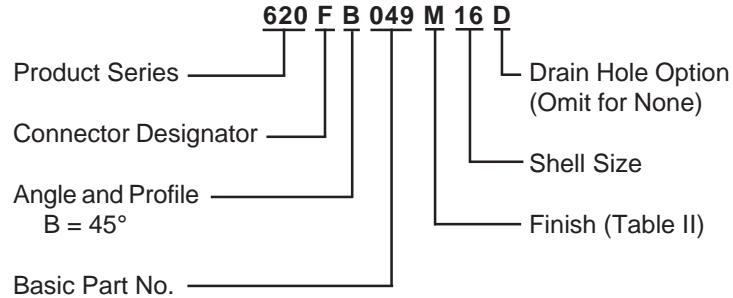


TABLE III: CABLE ENTRY

| Shell Size | E Max | F Max | Cable Entry | |
|------------|--------------|--------------|-------------|--------------|
| | | | Closed | Open |
| 08/09 | 1.536 (39.0) | .730 (18.5) | .125 (3.2) | .204 (5.2) |
| 10/11 | 1.566 (39.8) | .810 (20.6) | .187 (4.7) | .286 (7.3) |
| 12/13 | 1.646 (41.8) | .870 (22.1) | .291 (7.4) | .416 (10.6) |
| 14/15 | 1.686 (42.8) | .930 (23.6) | .351 (8.9) | .476 (12.1) |
| 16/17 | 1.796 (45.6) | .990 (25.1) | .501 (12.7) | .626 (15.9) |
| 18/19 | 1.906 (48.4) | 1.110 (28.2) | .518 (13.2) | .706 (17.9) |
| 20/21 | 1.956 (49.7) | 1.170 (29.7) | .581 (14.8) | .831 (21.1) |
| 22/23 | 1.996 (50.7) | 1.240 (31.5) | .644 (16.4) | .956 (24.3) |
| 24/25 | 2.046 (52.0) | 1.300 (33.0) | .706 (17.9) | 1.081 (27.5) |

**See inside back cover
fold-out or pages 13 and
14 for Tables I and II.**

1. Cable Entry is defined as the accommodation entry for the wire bundle or cable. Dimensions are not intended for inspection criteria.
2. Metric dimensions (mm) are indicated in parentheses.