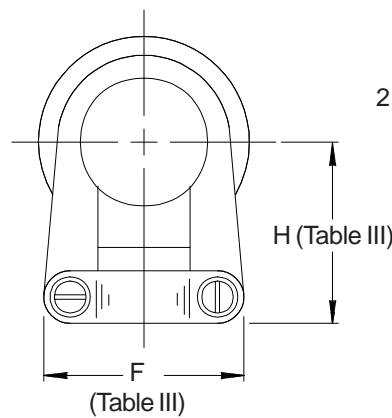
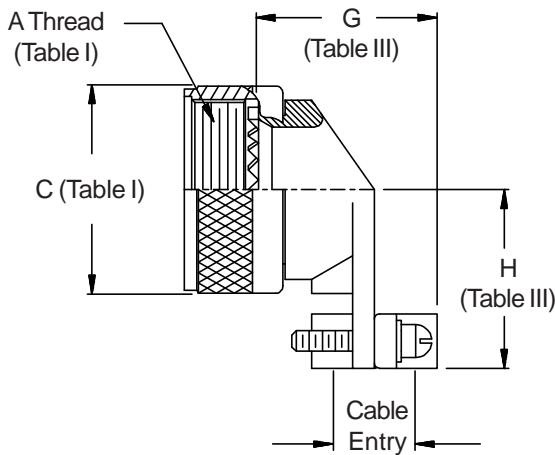
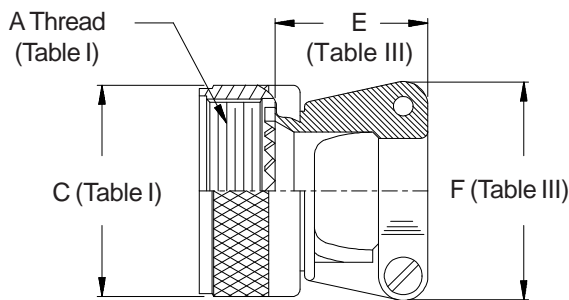


620-011
Strain Relief
Rotatable Coupling - Straight and 90°



**CONNECTOR
DESIGNATOR**
H
**ROTATABLE
COUPLING**



See inside back cover fold-out or pages 13 and 14 for Tables I and II.

1. Cable Entry is defined as the accommodation entry for the wire bundle or cable. Dimensions are not intended for inspection criteria.
2. Metric dimensions (mm) are indicated in parentheses.

| Shell Size | E Max | F Max | G Max | H Max | Cable Entry | |
|------------|--------------|--------------|--------------|--------------|-------------|-------------|
| | | | | | Closed | Open |
| 09 | .830 (21.1) | .850 (21.6) | .704 (17.9) | .808 (20.5) | .098 (2.5) | .234 (5.9) |
| 11 | .850 (21.6) | .900 (22.9) | .786 (20.0) | .867 (22.0) | .153 (3.9) | .234 (5.9) |
| 13 | .900 (22.9) | 1.100 (27.9) | .979 (24.9) | .929 (23.6) | .190 (4.8) | .328 (8.3) |
| 15 | .900 (22.9) | 1.150 (29.2) | 1.039 (26.4) | .992 (25.2) | .260 (6.6) | .457 (11.6) |
| 17 | .940 (23.9) | 1.300 (33.0) | 1.188 (30.2) | 1.056 (26.8) | .283 (7.2) | .614 (15.6) |
| 19 | 1.020 (25.9) | 1.500 (38.1) | 1.300 (33.0) | 1.233 (31.3) | .325 (8.3) | .634 (16.1) |
| 21 | 1.070 (27.2) | 1.600 (40.6) | 1.425 (36.2) | 1.296 (32.9) | .343 (8.7) | .698 (17.7) |
| 23 | 1.190 (30.2) | 1.700 (43.2) | 1.550 (39.4) | 1.358 (34.5) | .381 (9.7) | .823 (20.9) |
| 25 | 1.220 (31.0) | 1.800 (45.7) | 1.675 (42.5) | 1.420 (36.1) | .418 (10.6) | .853 (21.7) |